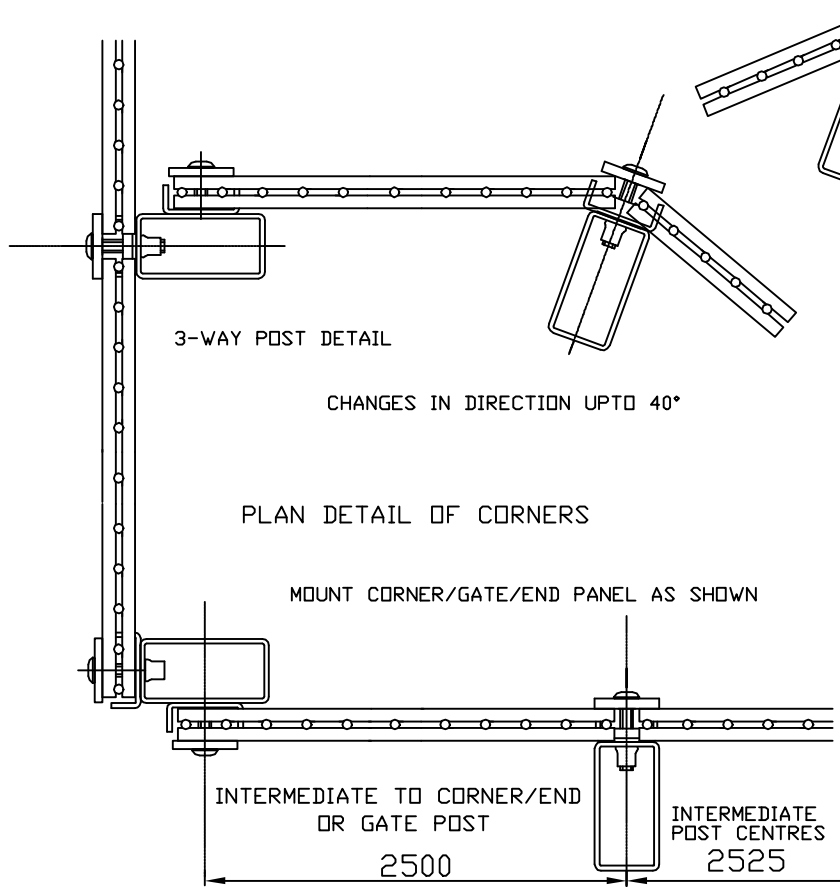
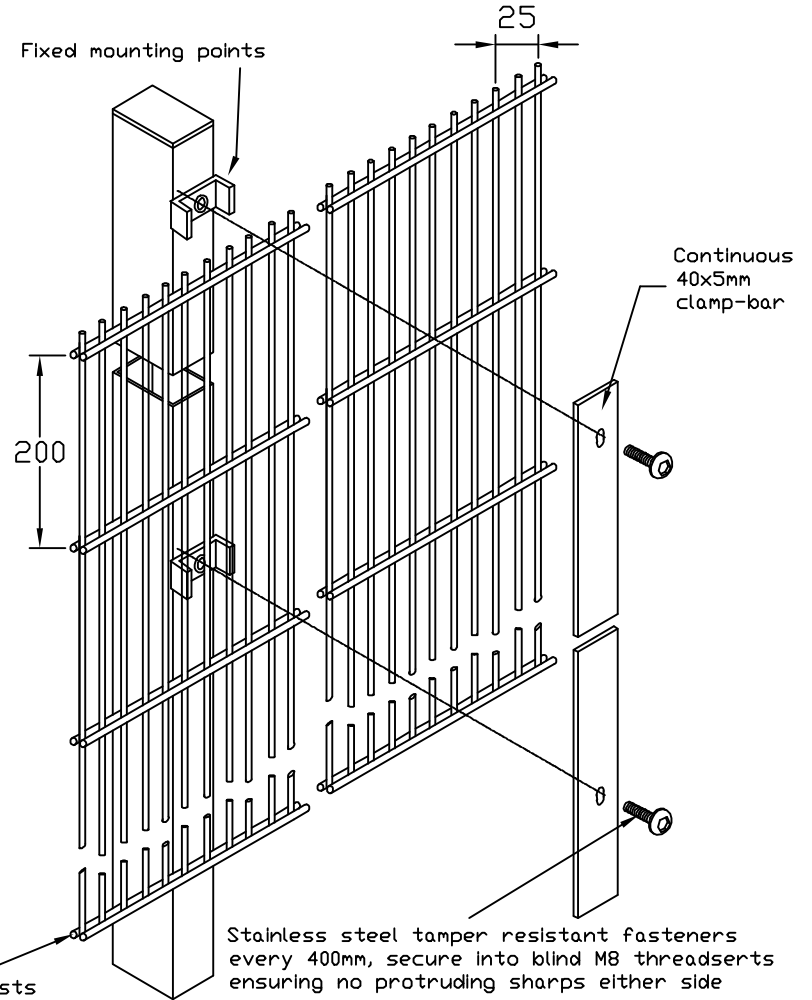
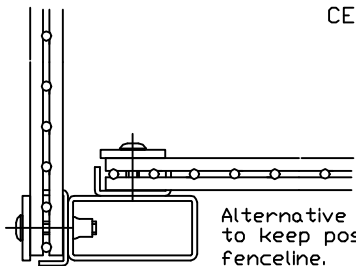


DUAL GUARD

use square washers (in lieu of clamp-bars) for acute angles




TOLERANCE ON POST CENTRES +/- 10mm



Each horizontal row consists of two 8mm wires, resistance welded at every intersection to 6mm verticals

Panels galvanised after welding to ensure maximum weld strength and corrosion resistance

Customer www.zaun.co.uk		Drawing No.	
Project / Site Dual Guard		Revision : ORG	
	Zaun Limited Steel Drive Wolverhampton WV10 9ED	Date 9/6/04	Drawn By PP
	Tel : 01902 796 699 Fax : 01902 796 698	Finish	