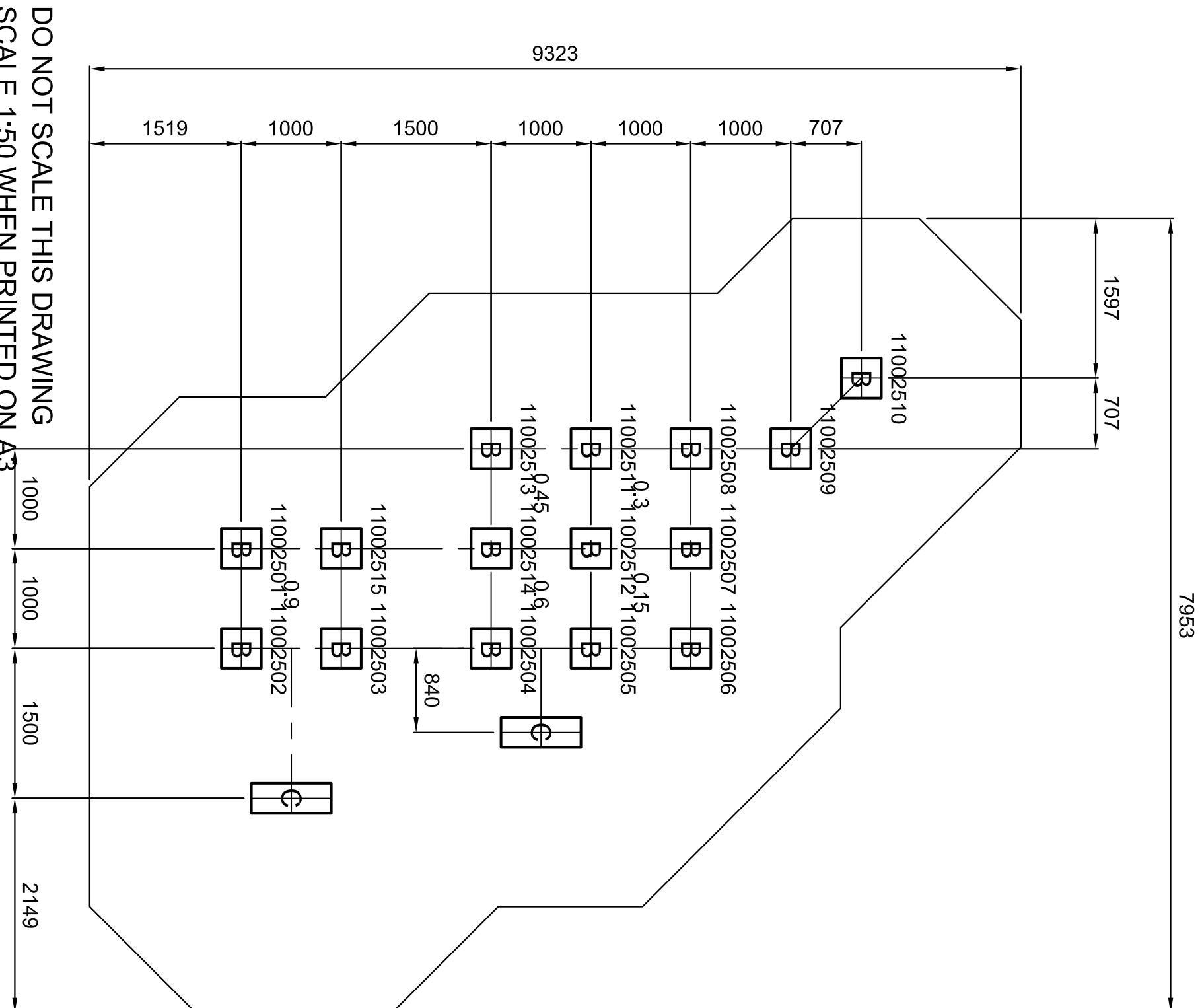
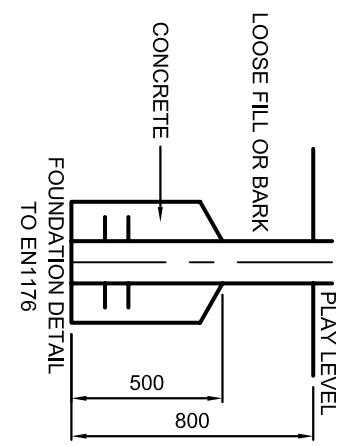


PLAN SCALE 1:100



DO NOT SCALE THIS DRAWING  
SCALE 1:50 WHEN PRINTED ON A3

SAFETY SURFACING  
REQUIREMENTS TO EN 1176  
PERIMETER 29M<sup>2</sup>  
HIC 0.9M - 59M



FOUNDATION DETAIL  
TO EN1176

GROUND PLAN	DZU025(1)
REV	03
DRAWN	JPC
SCALE	1:50 @ A3
DATE	25/05/06
SAFETY SURFACE AREA	
HOLE A	300x300x800 DEEP
HOLE B	400x400x800 DEEP
HOLE C	300x800x800 DEEP