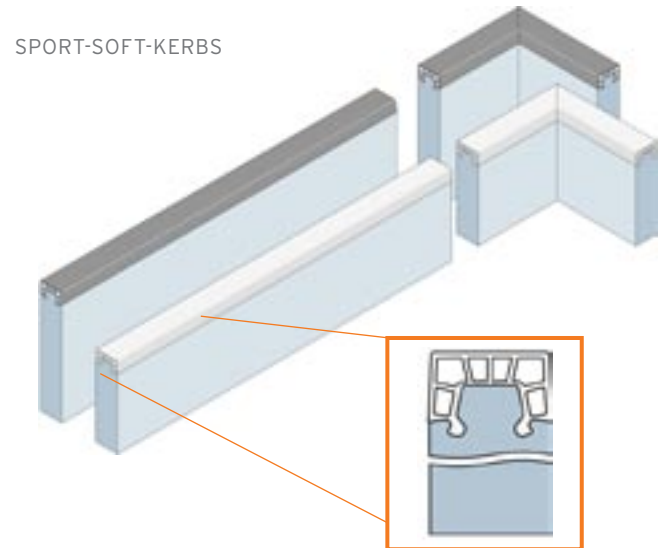


SPORTFIX®

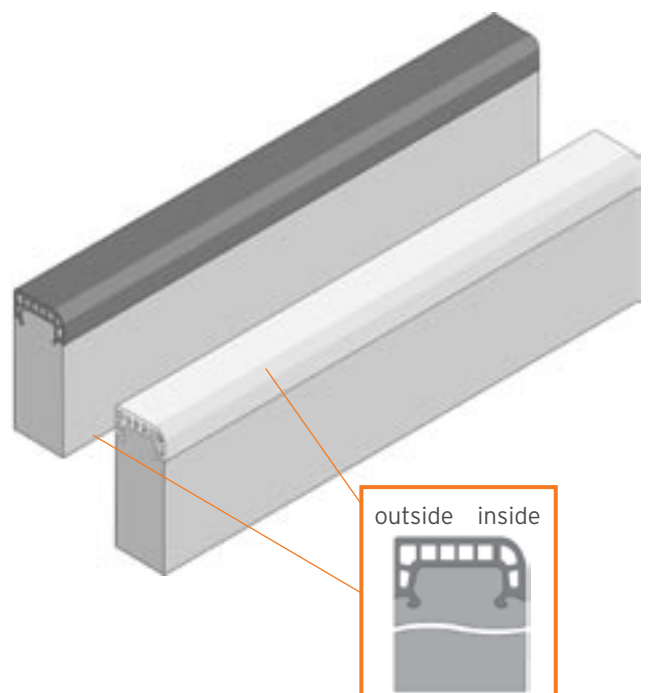
SPORTFIX SOFT KERBS

SPORTFIX soft kerbs with rubber padding are used for lining the edge of jump pits, sandpits as well as the outer edge of running tracks. Likewise they are used as permanent separations between distinct parts of sports facilities. The rubber padding protects athletes and children from serious injuries when falling.

SPORTFIX soft kerbs consist of fibre-reinforced concrete with a 60 mm wide and 30 mm high white or black rubber padding in Ethylene-Propylene-Diene-Monomer (EPDM). This material is temperature-resistant between -30 °C and +100 °C and is extremely elastic. The air cushioning significantly reduces the risk of injury for athletes and children. SPORTFIX soft kerbs are available in sizes from 200 to 400 mm high. The range includes corner fittings to guarantee exact joints at corners.



	Length mm	Width mm	Height mm	Weight kg	Article No.
Colour white	1000	60	200	24,0	7200
Colour white	1000	60	250	30,0	7201
Colour white	1000	60	300	36,0	7202
Colour white	1000	60	400	49,0	7203
Colour white	500	60	400	24,5	7204
Corner piece, colour white	250	60	300	16,4	7208
Corner piece, colour white	250	60	400	21,5	7209
Colour black	1000	60	200	24,0	7220
Colour black	1000	60	250	30,0	7221
Colour black	1000	60	300	36,0	7222
Colour black	1000	30	400	49,0	7223
Colour black	500	60	400	24,5	7224
Corner piece, colour black	250	60	300	16,4	7228
Corner piece, colour black	250	60	400	21,5	7229



SPORTFIX SOFT KERBS FOR SHOT PUT RINGS

For shot put rings we recommend wider SPORTFIX soft kerbs, while the material and construction is the same as the soft kerbs for jump pits and sandpits. The rubber padding of SPORTFIX kerbs for shot put rings is 100 mm wide and 50 mm high. The kerbs measure 250 mm in height and are available in a white and a black finish.

	Length mm	Width mm	Height mm	Weight kg	Article No.
Colour white	1000	100	250	53,0	7237
Colour black	1000	100	250	53,0	7232