

**Play value**

Water play installations become even more attractive when they help to experience water in different ways. Children particularly enjoy damming water. On one hand, they are momentarily the „Master“ of the element water when stemming the flood water and on the other hand, they experience, through play, the water power when opening the lock of the dam.

**Fundamental characteristics**

- different ways of damming and collecting water
- incentive for playing: technical appearance

**Suitable**

- for children from 3 years
- for all water play areas in playgrounds and adventure areas



Order No. 5.20910 Damming Wedge

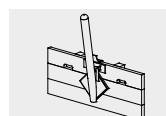


Order No. 5.20905 Water Flap

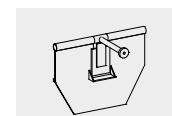


Order No. 5.20900 Dam of Wood

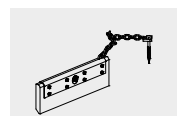
**Dam of Wood  
Water Flap  
Damming Wedge**



5.20900

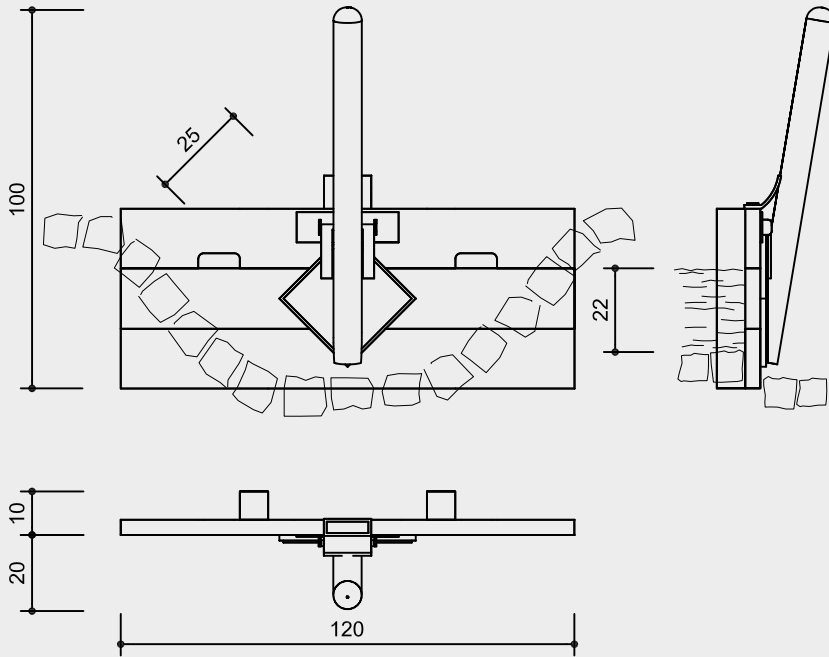


5.20905

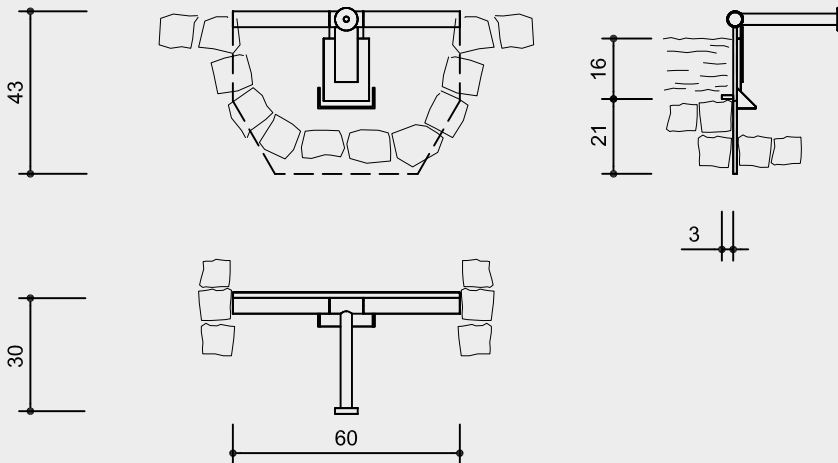


5.20910

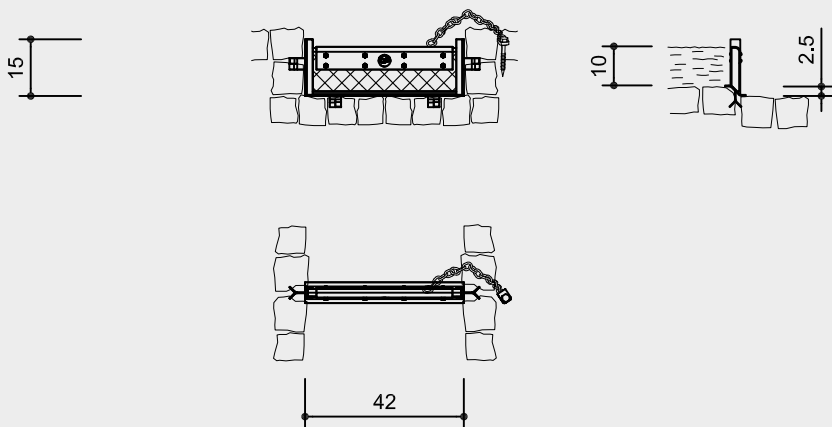
**Order No. 5.20900 Dam of Wood**



**Order No. 5.20905 Water Flap**

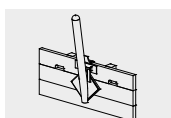


**Order No. 5.20910 Damming Wedge**

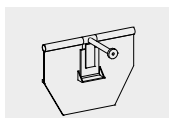


scale 1:20

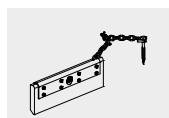
Safety check according to EN 1176



5.20900



5.20905



5.20910

**Technical information**

**Order No. 5.20900 Dam of Wood**

**tongue and groove**

plate of 45 mm tongue and groove boarding, of non-impregnated mountain larch



metal parts of stainless steel, glass bead blasted

seal of 15 mm rubber plate, opening sealed with sealing tape

**Dimensions**

(small deviations possible)

height 1.00 m  
width 1.20 m  
damming height 0.22 m  
weight 27 kg

**Order No. 5.20905 Water Flap**

basic construction of stainless steel, glass bead blasted

seal of 10 mm rubber plate

**Dimensions**

(small deviations possible)

height 0.43 m  
width 0.60 m  
damming height 0.16 m  
weight 20 kg

**Order No. 5.20910 Damming Wedge**

damming wedge of industrial rubber, holding device of stainless steel, glass bead blasted

chain of stainless steel with swivel

**Dimensions**

(small deviations possible)

height of wedge 0.15 m  
width 0.42 m  
length of chain 0.30 m  
height of threshold 0.025 m  
damming height 0.10 m

**Order No. 5.20915**

damming height 0.20 m  
weight 3 kg

**Components**

**Dam of Wood and Water Flap**

1 part

**Damming Wedge**

1 Damming Wedge

1 Guide Frame

**Installation information**

hard surface

Foundations depending on installation situation; the Dam of Wood is bricked in the channel and can be installed optionally in flow direction or against flow direction.

**Attention:**

**Exact measurements may vary, for all installation dimensions refer to current installation instructions.**

Technical changes reserved.

**For use in chlorine water the equipment is also available with a special steel alloy.**

For more detailed explanation of the quality characteristics see price list.