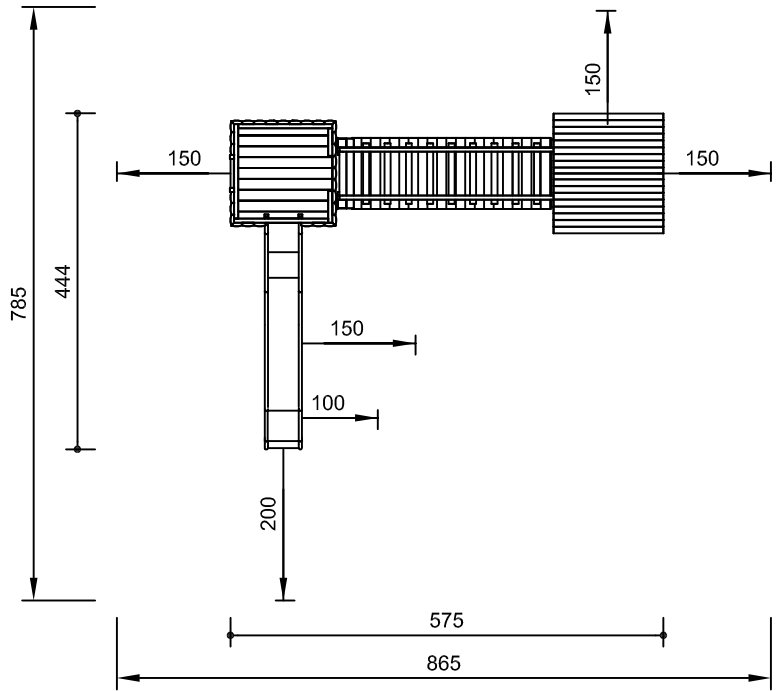
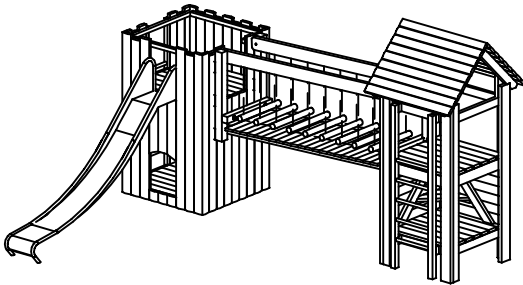


Tower Combination 18
Order No. 2.18000

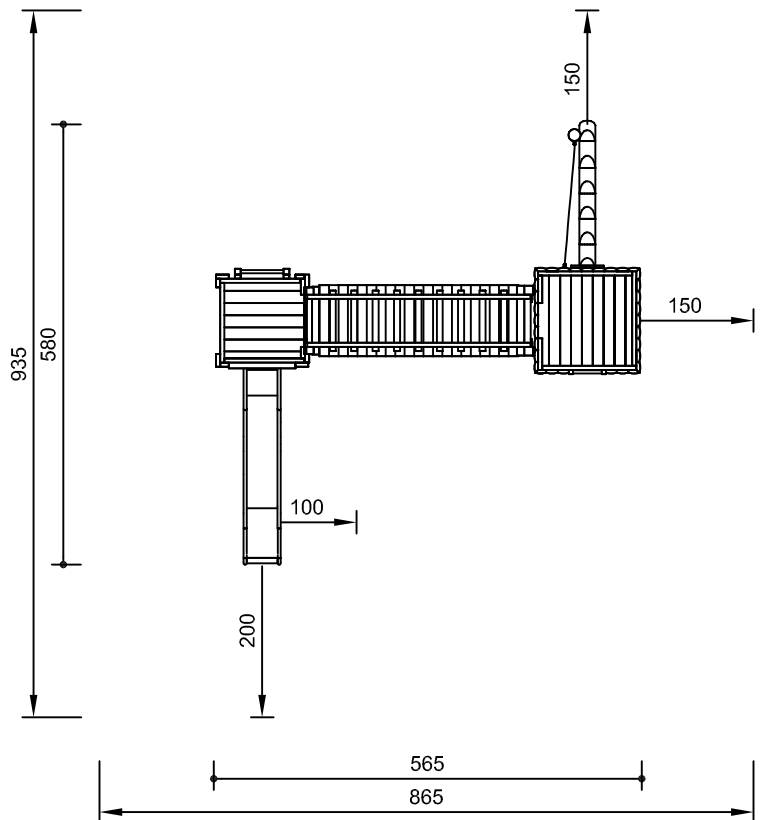
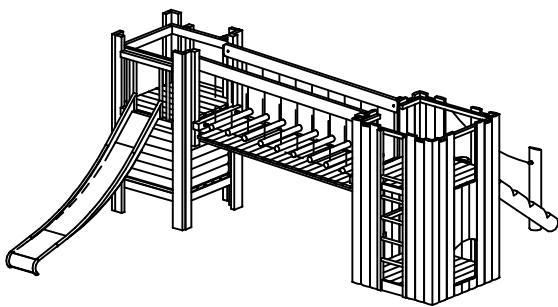


Components	Order No.
1 Platform Hut with roof 2 walls, 1 bench	3.13300
1 Fastening Frame for chain path	3.66290
1 Chain Path 3 m with safety board	3.66260
1 Square Tower	3.20500
1 Fastening Frame for chain path	3.66240
1 Stainless Steel Slide attachment height 1.50 m	3.63020

Required space including safety distance
 8.65 x 7.85 m

scale 1:100

Tower Combination 185
Order No. 2.18500

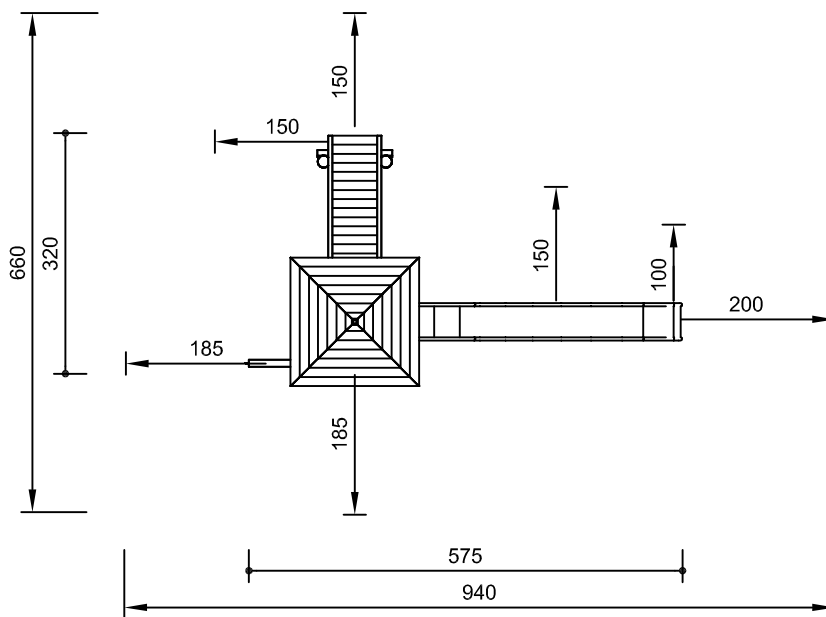
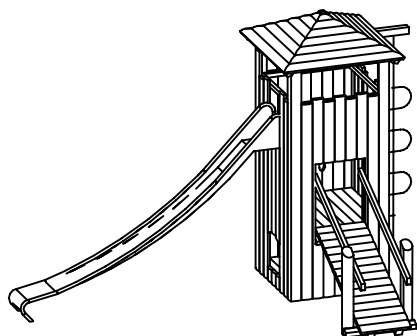


Components	Order No.
1 Square Tower	3.20500
1 Fastening Frame for chain path	3.66240
1 Chain Path 3 m with safety board	3.66260
1 Platform Hut with 2 walls, 1 bench	3.13100
1 Fastening Frame for chain path	3.66290
1 Climbing Trunk with chain handrail	3.69510
1 Stainless Steel Slide attachment height 1.50 m	3.19210

Required space including safety distance
 8.65 x 9.35 m

scale 1:100

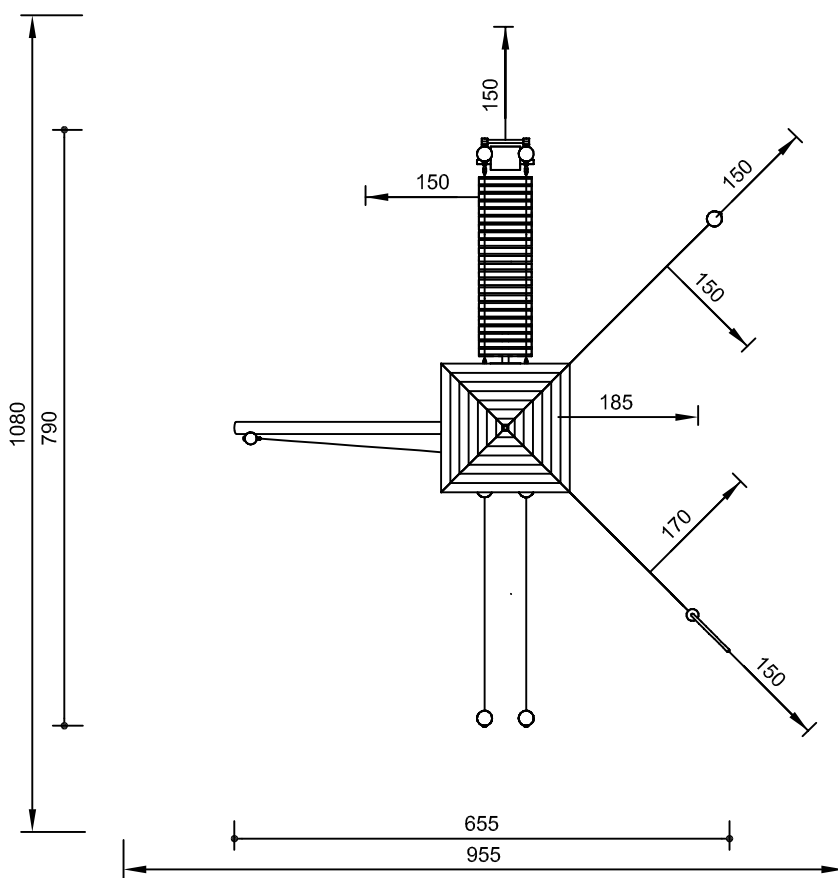
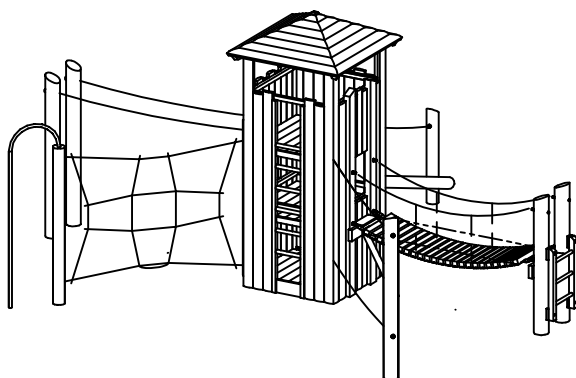
Tower Combination 30
Order No. 2.30000



Components	Order No.
1 Square Tower with roof	3.20600
1 Climbing Ladder with beam	3.69410
1 Fastening Frame for bridge	3.66353
1 Bridge 2 m with wooden handrails	3.66425
1 End Frame	3.66410
1 Stainless Steel Slide attachment height 2.00 m	3.63420

Required space including safety distance
 9.40 x 6.60 m
 scale 1:100

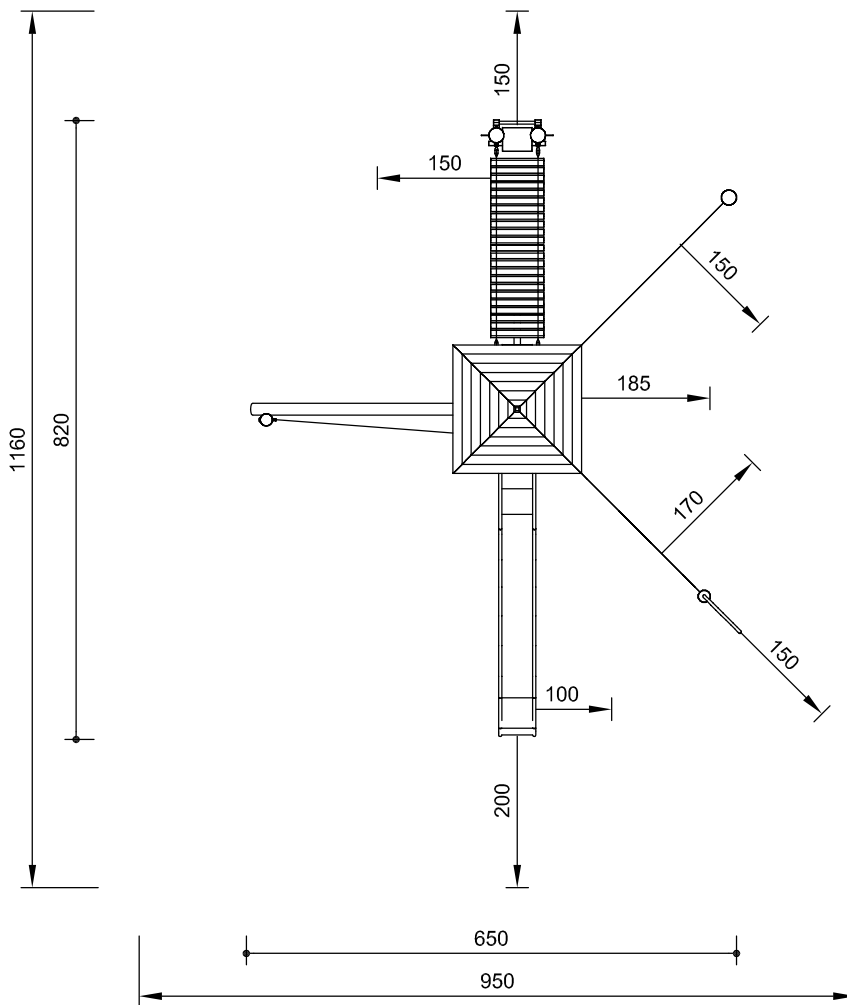
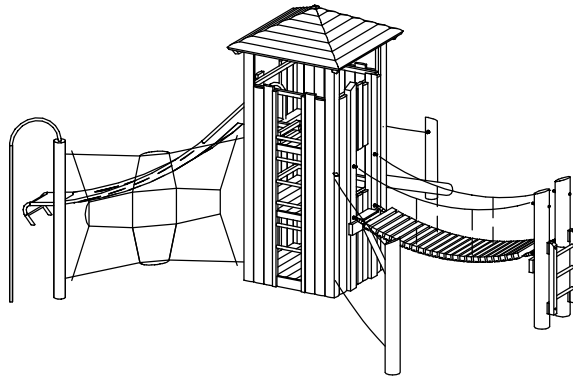
Tower Combination 33
Order No. 2.33000



Components	Order No.
1 Square Tower with roof	3.20600
1 Fastening Frame for suspension bridge	3.66005
1 Suspension Bridge 3 m	3.66090
1 End Frame	3.66030
1 Double Hanging Rope	3.68500
1 Inclined Balancing Beam	3.68300
1 Balancing Rope with Holding Rope	3.69010
1 Vertical Climbing Net with Bent Firemen's Pole	3.69350

Required space including safety distance
 9.55 x 10.80 m
 scale 1:100

Tower Combination 331
Order No. 2.33100



© Richter Spielgeräte GmbH 09/14

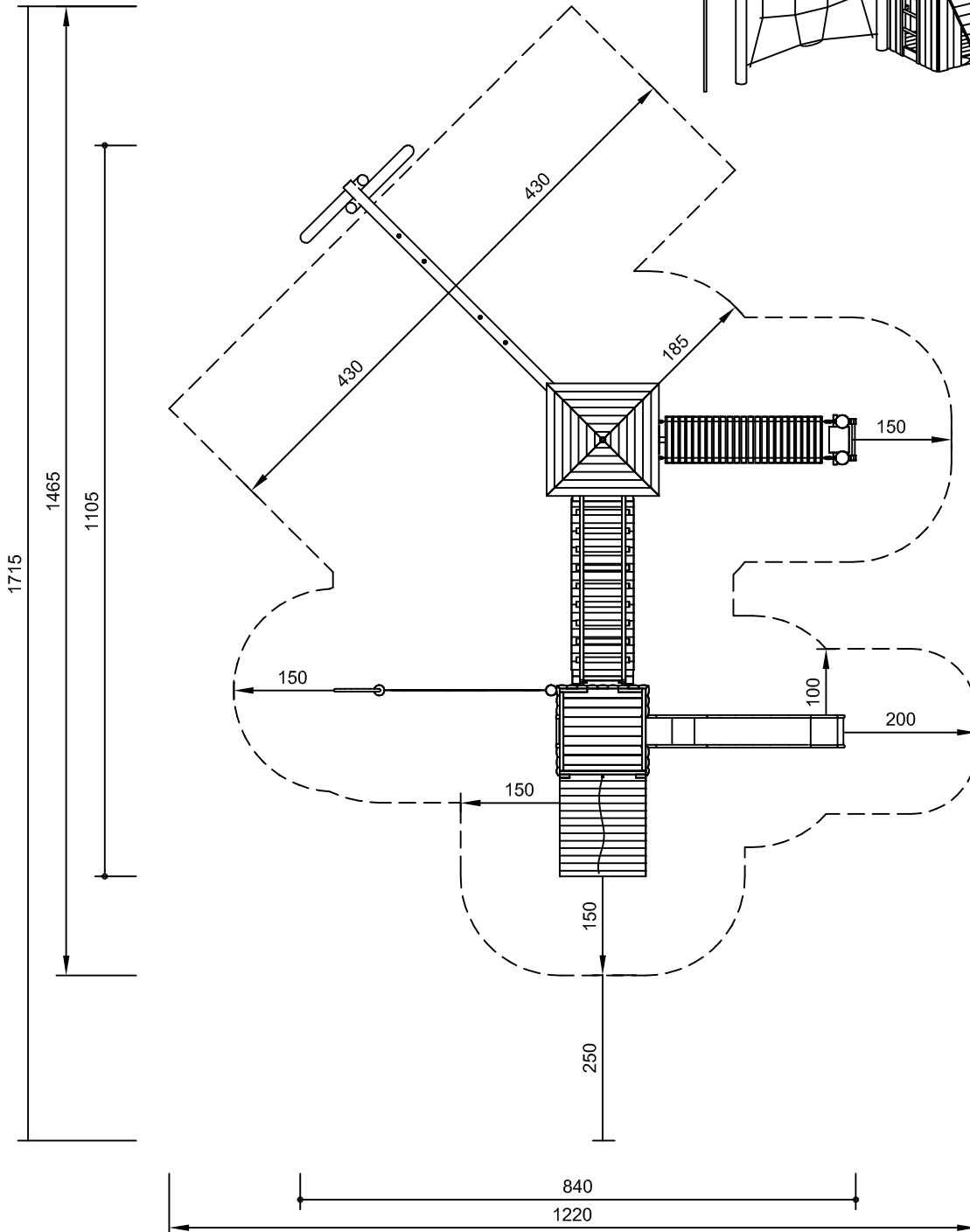
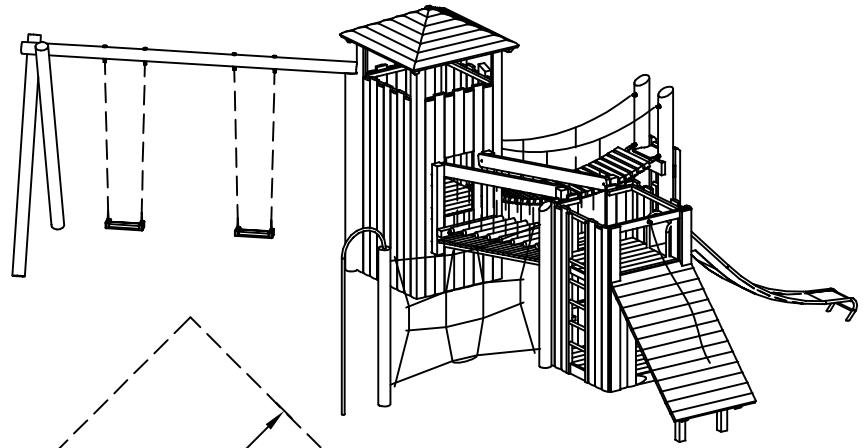
Design and Copyright

Components	Order No.
1 Square Tower with roof	3.20600
1 Support Frame for suspension bridge	3.66005
1 Suspension Bridge 3 m	3.66090
1 End Frame with ladder	3.66030
1 Inclined Balancing Beam with chain handrail	3.68300
1 Balancing Rope with holding rope	3.69010
1 Vertical Climbing Net with bent firemen's pole	3.69350
1 Stainless Steel Slide attachment height 2.00 m	3.63420

Required space including safety distance
 9.50 x 11.60 m

scale 1:100

Tower Combination 49
Order No. 2.49000



© Richter Spielgeräte GmbH 09/14

Design and Copyright

Components

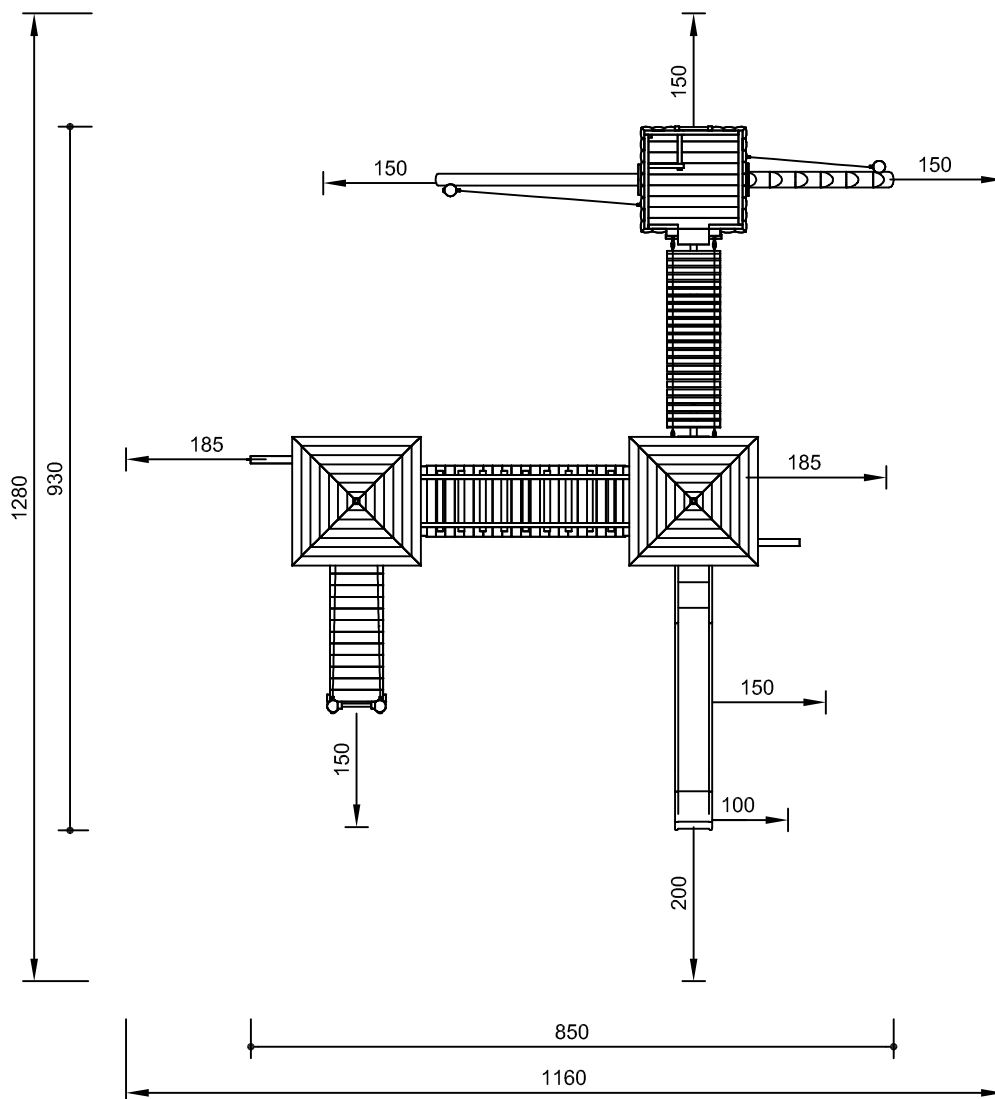
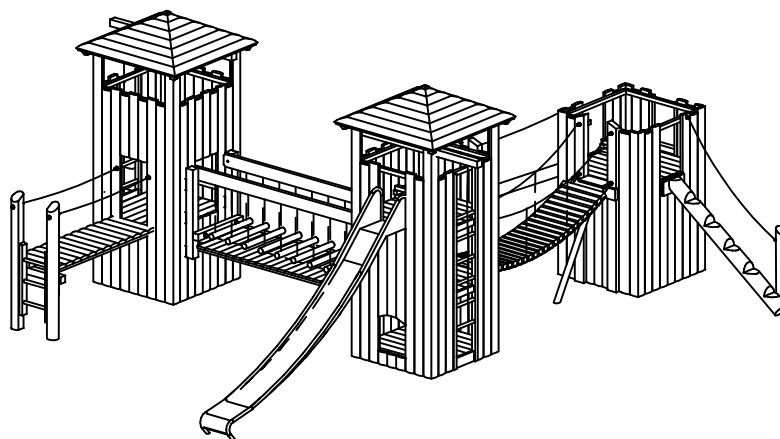
Order No.

1 Square Tower with roof	3.20600	1 Chain Path 3 m	3.66260
1 Support Frame	3.66005	with safety board	
for suspension bridge		1 Double Swing	3.19040
1 Suspension Bridge 3 m	3.66090	1 Vertical Climbing Net	6.51600
with chain handrails		with bent firemen's pole	
1 End Frame with ladder	3.66030	1 Inclined Wall	3.67513
1 Square Tower	3.20500	1 Holding Rope	3.69470
2 Fastening Frames	3.66240	1 Stainless Steel Slide	3.63020
for chain path		attachment height 2.00 m	

Required space including safety distance
 12.20 x 17.15 m

scale 1:100

Tower Combination 54
Order No. 2.54000



Components

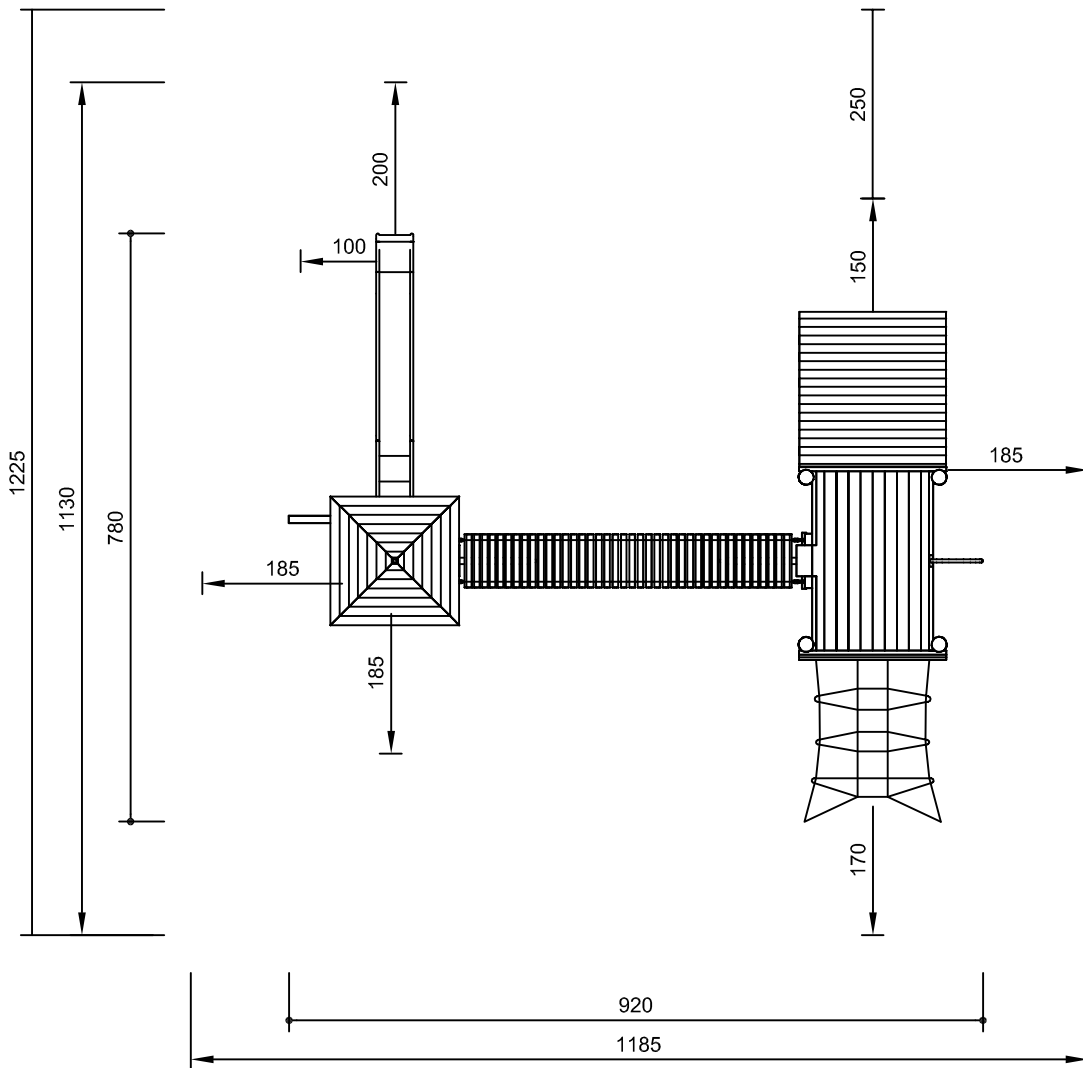
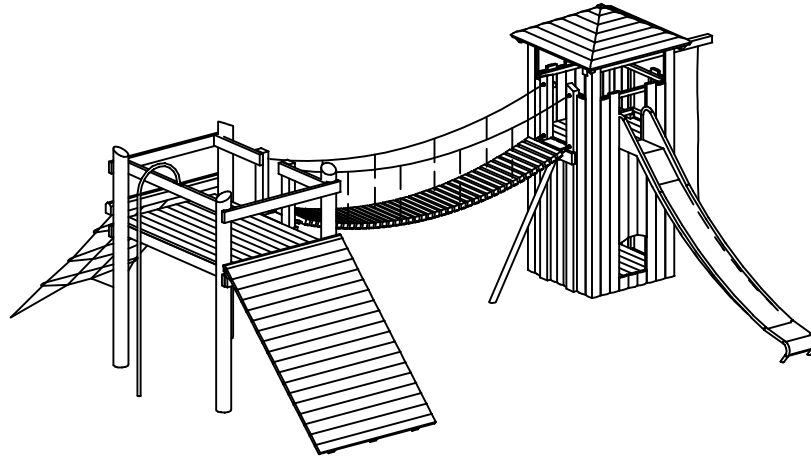
Order No.

2 Square Towers mit roof	3.20600	1 Support Frame for suspension bridge	3.66005
1 Climbing Ladder with beam	3.69410	1 Support Frame for suspension bridge	3.66045
1 Swing Rope with beam	3.69450	1 Suspension Bridge 3 m with chain handrails	3.66090
1 Support Frame for bridge	3.66350	1 Climbing Trunk with chain handrail	3.69510
1 Bridge 2 m with chain handrail	3.66420	1 Inclined Balancing Beam with chain handrail	3.68300
1 End Frame with ladder	3.66387	1 Stainless Steel Slide attachment height 2.00 m	3.63420
2 Fastening Frames for chain Path	3.66240		
1 Chain Path 3 m with safety board	3.66260		
1 Square Tower	3.20500		

Required space including safety distance
 11.60 x 12.80 m

scale 1:100

Tower Combination 60
Order No. 2.60000



© Richter Spielgeräte GmbH 09/14
 Design and Copyright

Components

- 1 Square Tower with roof
- 1 Swing Rope with beam
- 1 Support Frame
for suspension bridge
- 1 Suspension Bridge 5 m
with chain handrails
- 1 Platform height 2 m
- 1 Bent Firemen's Pole

Order No.

- 3.20600**
- 3.69450**
- 3.66065**
- 3.66110**
- 3.26500**
- 3.69464**

- 1 Frame
for suspension bridge
- 1 Inclined Wall
attachment height 2.00 m
- 1 Inclined Climbing Net
attachment height 2.00 m
- 1 Stainless Steel Slide
attachment height 2.00 m

- 3.66085**
- 3.67500**
- 3.69180**
- 3.63420**

Required space including safety distance
 11.85 x 12.25 m

scale 1:100