

Product Specification Sheet for:
Sand Play Alex 905820250R

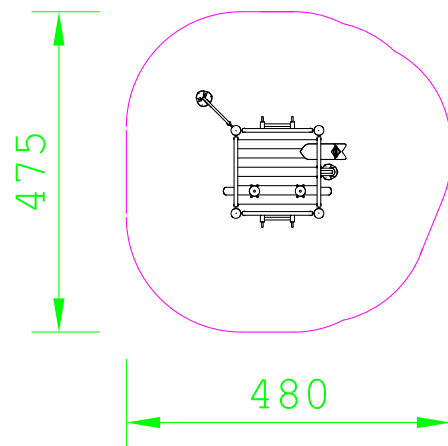
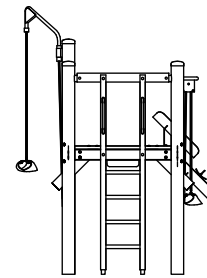


Compliant to EN1176



Product Name	Sand Play Alex
Product Code	905820250R
Material	BS EN 350-02 Class 1 Robinia Timber
Product Category	FHS Sand & Water Play
Age Range	5 +
Product Type	Sand Play Unit
Fixings	Stainless Steel Fixings & Galvanised Plates
Free Space Area m2	19
Free Space Loosefill m2	19
FFH	1.45
Area Required (LxW)	4.8 x 4.75
Grassmat Total (M ²)	n/a
Edge Length LM	15.6

Plan View
 Not to scale



Product Description

This sand play system adds a modern twist to any play area. Sand is a fantastic sensory experience and children can use imagination combined with logic to move the sand around the space. Elements include a sand chute, sand crane and swivel crane.



Company No. SC200761

© Jupiter Play & Leisure Ltd. 2014.

www.jupiterplay.co.uk
info@jupiterplay.co.uk

HEAD OFFICE: 0131 445 7989
 SOUTHERN OFFICE: 0115 969 9859