

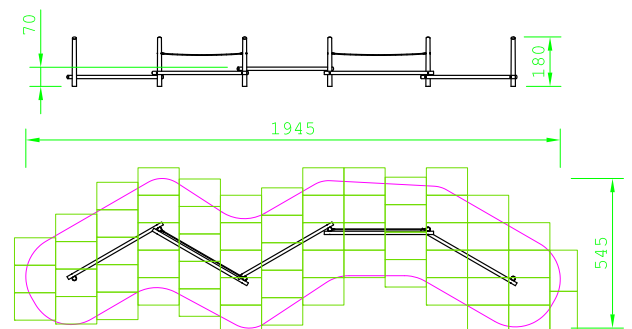
Product Specification Sheet for:
Balancing Beam Course 906110150R



Compliant to EN1176

| | |
|-------------------------|---|
| Product Name | Balancing Beam Course |
| Product Code | 906110150R |
| Material | BS EN 350-02 Class 1 Robinia Timber |
| Product Category | FHS Climbing & Balancing |
| Age Range | 3 to 12 |
| Product Type | Multi Activity Unit |
| Fixings | Stainless Steel Fixings & Galvanised Plates |
| Free Space Area m2 | 70 |
| Free Space Loosefill m2 | 70 |
| FFH | 0.7 |
| Area Required (LxW) | 19.45 x 5.45 |
| Grassmat Total (M²) | 70 |
| Edge Length LM | 46 |

Plan View
 Not to scale



Product Description

These beams are an easy way to increase play value in a protected landscape. Children can feel at ease with nature as they walk along the low level beams and reach the next vertical post for balance. These can be installed on to difficult ground levels and surfaces.



Company No. SC200761

© Jupiter Play & Leisure Ltd. 2014.

www.jupiterplay.co.uk
info@jupiterplay.co.uk

HEAD OFFICE: 0131 445 7989
 SOUTHERN OFFICE: 0115 969 9859