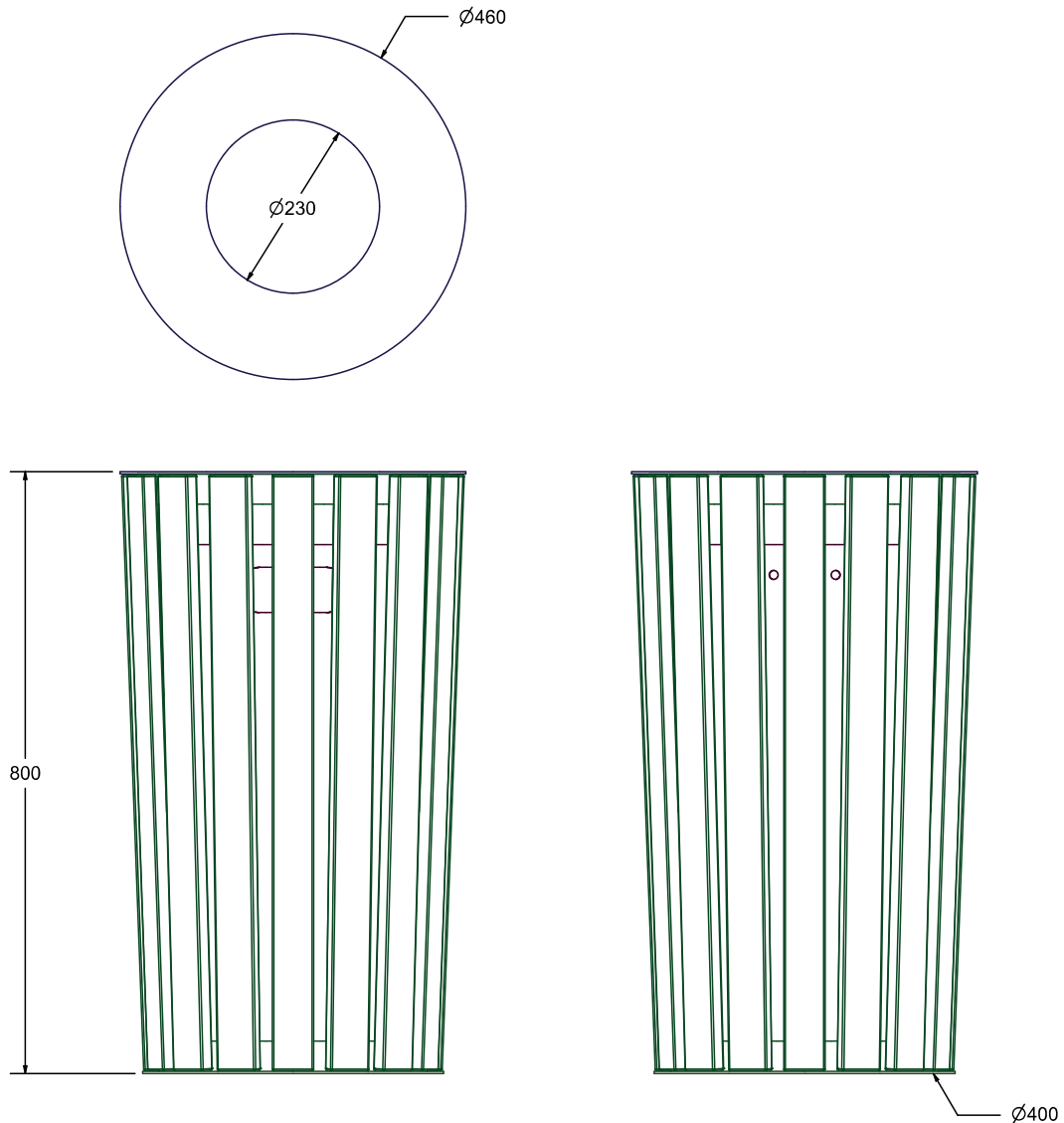




**Max Dimensions:**

Height: 800 mm | Top diameter: 460 mm | Bottom diameter: 400 mm | Capacity: 50 Lt

**DESCRIPTION**

This bin is made in wood and steel and is characterized by a clean design that suits any environment, parks or city centers. The upper part and the base of the bin are made in steel sheet of 30/10 thickness, with two rings of 20/10 thickness welded and pierced, on which the slats are fixed with specific bolts. The cover with the opening is made in steel sheet of 30/10 thickness. The bottom has 4 holes of 10 mm diam for the fixing to the ground through specific bolts (not provided). The inner container is made in galvanized steel of 10/10 thickness. On the upper part there are 2 oval holes serving as handles and 2 holes of 10 mm diam. for the insertion of the elastic band to keep the bag in place.

For the realization of this product, Steel EN10111DD11 is used and later treated with a cycle of sandblasting, cataphoresis and powder coating. Such cycle is meant to guarantee the protection of the painted products, in an environment of C4 corrosion class, as requested by the UNI regulations EN ISO 12944-2. The products are eventually polyester-powder coated with RAL colours at choice. The galvanized steel used is steel EN10346DX51D+Z and, unless otherwise stated, is not painted. The wood used is either Iroko or Okume, treated with natural, water-repellent, UV ray resistant oils.

LAB23

WOOD BIN

Litter Bin

