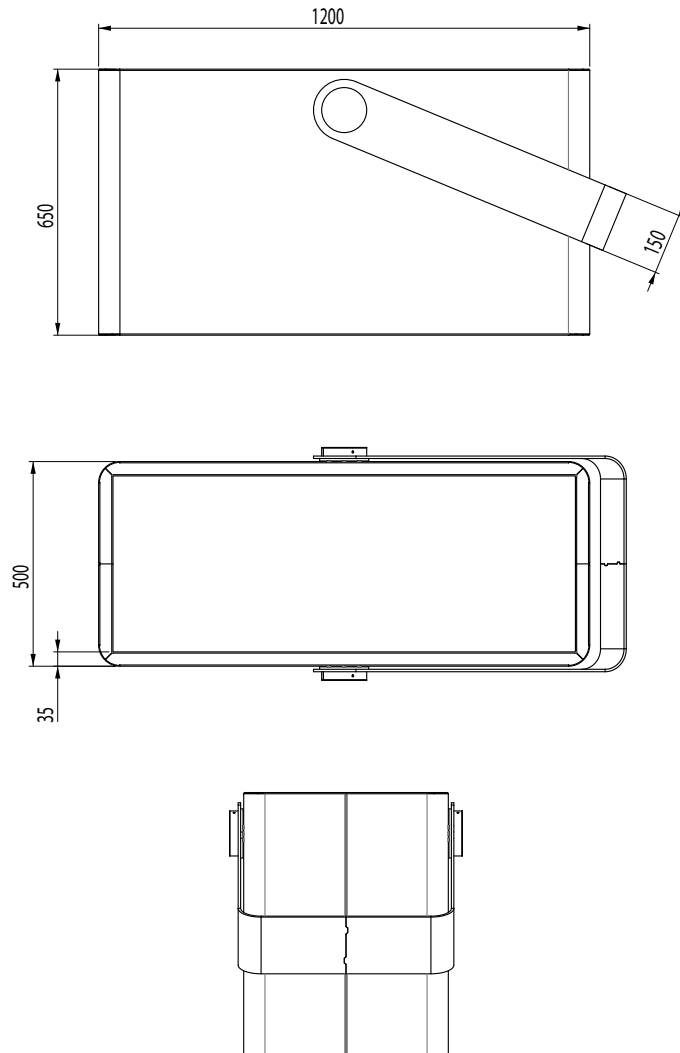




Max Dimensions:

Height: 650 mm | Length: 1200 mm | Width: 500 mm

Capacity: 355 lt. | Weight: 60 kg

**Description**

The BASKET planter is made in steel sheet 20/10 thickness and is characterized by a handle made in steel sheet 60/10 thickness. The handle is fixed to the planter in a way that makes the inclination adjustable, resulting in different combinations of planters, one placed next to the other. To strengthen the planter, there's an edge (dimensions 35xH 30 mm) along the upper part. The 4 angles have a radius of 52 mm. On the bottom of the planter 2 drain pipes, made in tubular steel, section 16X2 mm, H 50 mm, are welded. For the fixing to the ground through specific bolts (not provided) there are 4 holes 11 mm diam.

For the realization of this product, Steel EN10111DD11 is used and later treated with a cycle of sandblasting, cataphoresis and powder coating. Such cycle is meant to guarantee the protection of the painted products, in an environment of C4 corrosion class, as requested by the UNI regulations EN ISO 12944-2. The products are eventually polyester-powder coated with RAL colours at choice. As an alternative to steel EN10111DD11, the production in corten is also available, on demand. In this case the material is treated with a specific oxidation process.