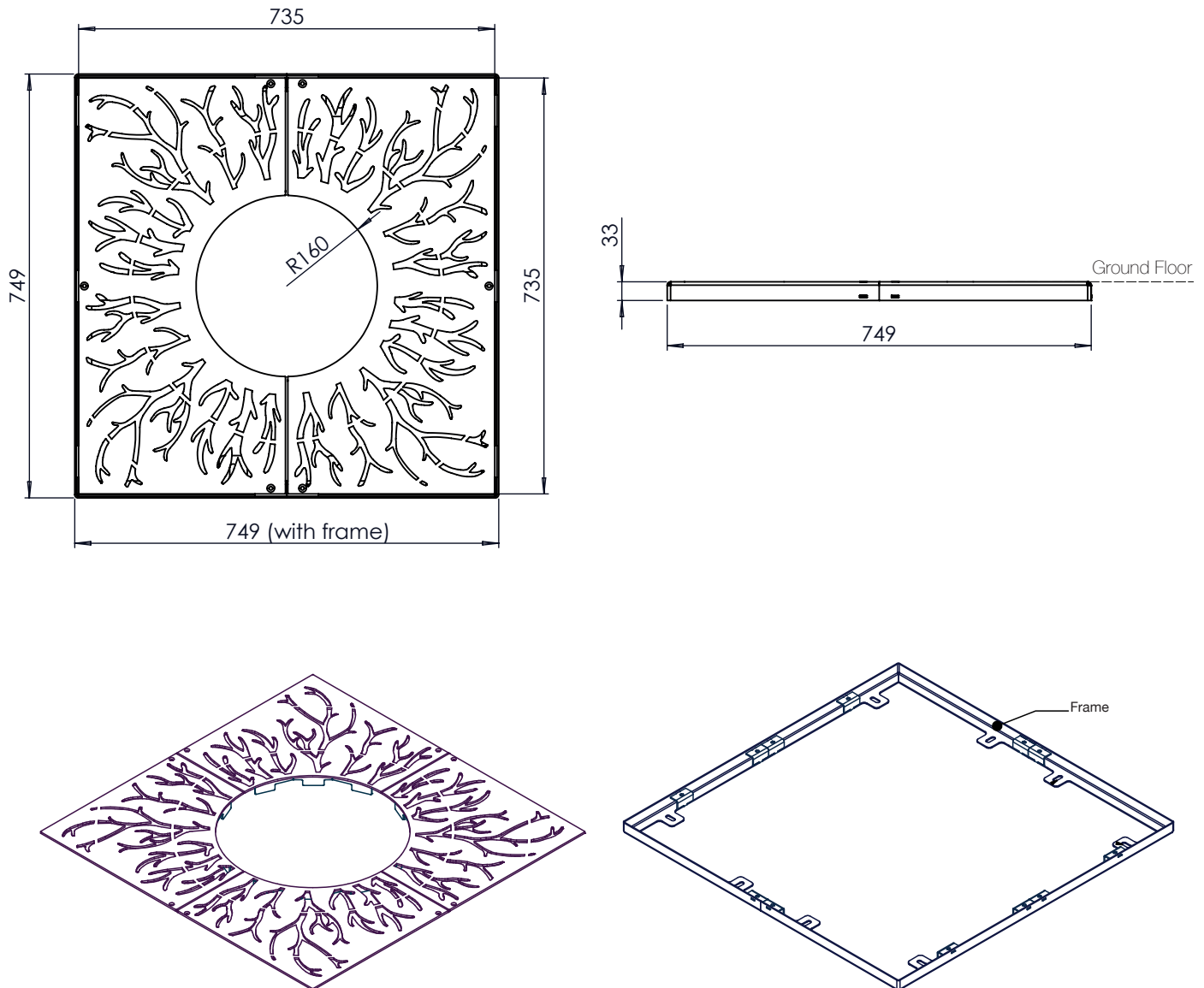




Max dimensions:

Length: 735 mm | Width: 735 mm | Hole Diameter: 320 mm

Weight: 15 kg | Weight with frame: 20 kg

**Description:**

The tree grilles LAB SP are made in steel. Different laser-cut patterns and dimensions are available. The smaller tree grilles, LAB SP. 735Mm, are made of 4 elements: two shaping the grille and two shaping the perimetral frame. The grilles LAB SP. 990Mm are made of 6 elements: the upper grille is divided into 4 parts and the frame into 2 parts. The bigger grilles LAB SP are made of 8 elements: both the upper grille and the frame are divided into 4 parts. The upper part of the grilles is the result of laser-cut steel sheets (50/10 thickness), whereas the frame is made in steel sheet of 30/10 thickness. If present, the frame is fixed to the ground through specific bolts (not provided) to be inserted on elements 12x18 mm. The tree grilles are fixed to the ground (or to the frame if present) through specific countersunk holes M6.

For the realization of this product, Steel EN10111DD11 is used and later treated with a cycle of sandblasting, cataphoresis and powder coating. Such cycle is meant to guarantee the protection of the painted products, in an environment of C4 corrosion class, as requested by the UNI regulations EN ISO 12944-2. The products are eventually polyester-powder coated with RAL colours at choice.