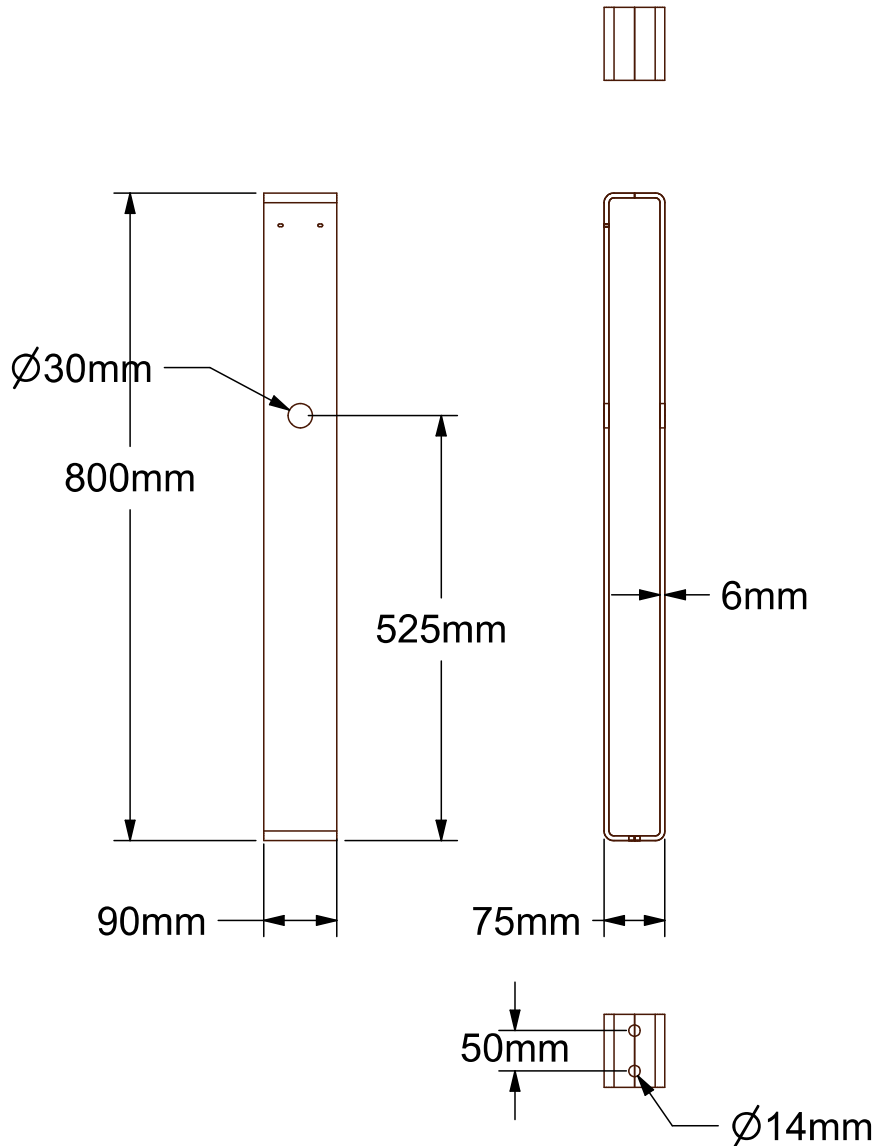




Max Dimensions:

Height: 800 mm | Length: 90 mm | Width: 75 mm

Weight: 8 Kg

**DESCRIPTION**

The bike rack/bollard EIGHT is made in steel of 60/10 thickness. It is the result of the continuous welding of two elements. On the sides of the bike rack there is a hole of 30 mm diam. for the bike chain. The base is provided with 2 holes of 14 mm diam. for the fixing to the ground through specific bolts (not provided). For the realization of this product, Steel EN10111DD11 is used and later treated with a cycle of sandblasting, cataphoresis and powder coating. Such cycle is meant to guarantee the protection of the painted products, in an environment of C4 corrosion class, as requested by the UNI regulations EN ISO 12944-2. The products are eventually polyester-powder coated with RAL colours at choice. This product is also available in stainless steel AISI 316, on demand.