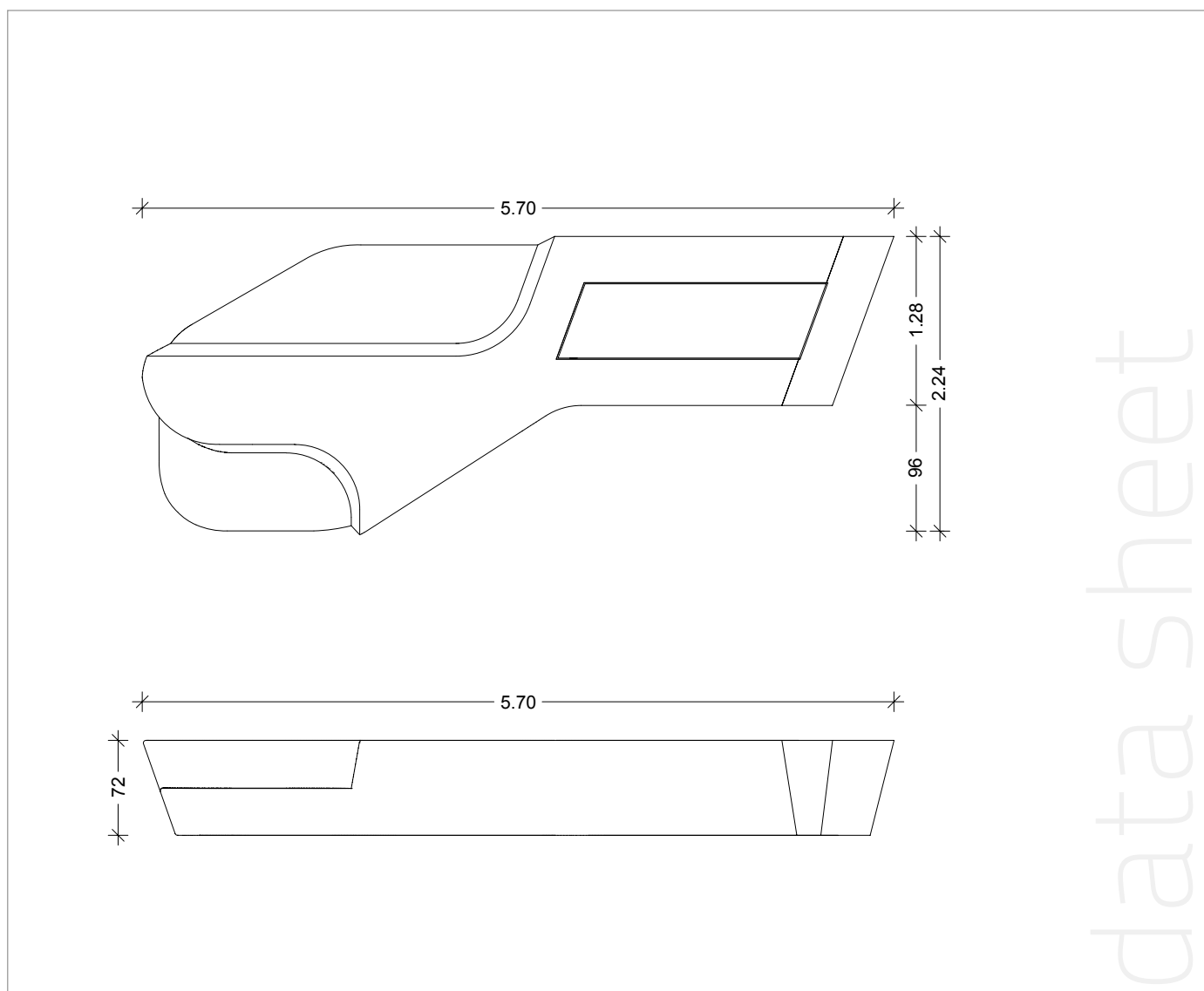


Osa

Design: Frank Prochiner

Osa is a bench consisting of two pieces with the option to integrate vertical elements like e.g. trees. Wooden seat cover. Made of reinforced C30/37 concrete.



Technical data

Length:	5,70 m
Width:	2,24 m
Height:	0,72 m
Seat height:	0,36 m
Weight:	7,60 tons

Surfaces & colours

Nature Look	concrete grey
Nature Look	dark grey
Nature Look	cream white
Nature Look	anthracite
Smooth Look	acc. to RAL shade

Arrangements from the customer

The element shall be put onto a compression-proof or founded base.