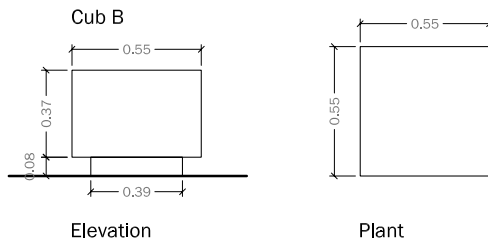
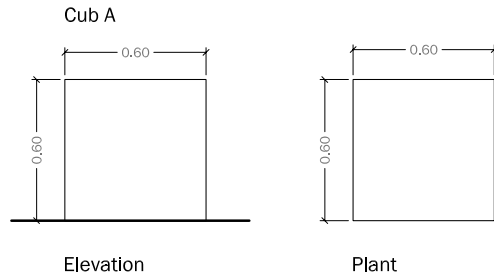
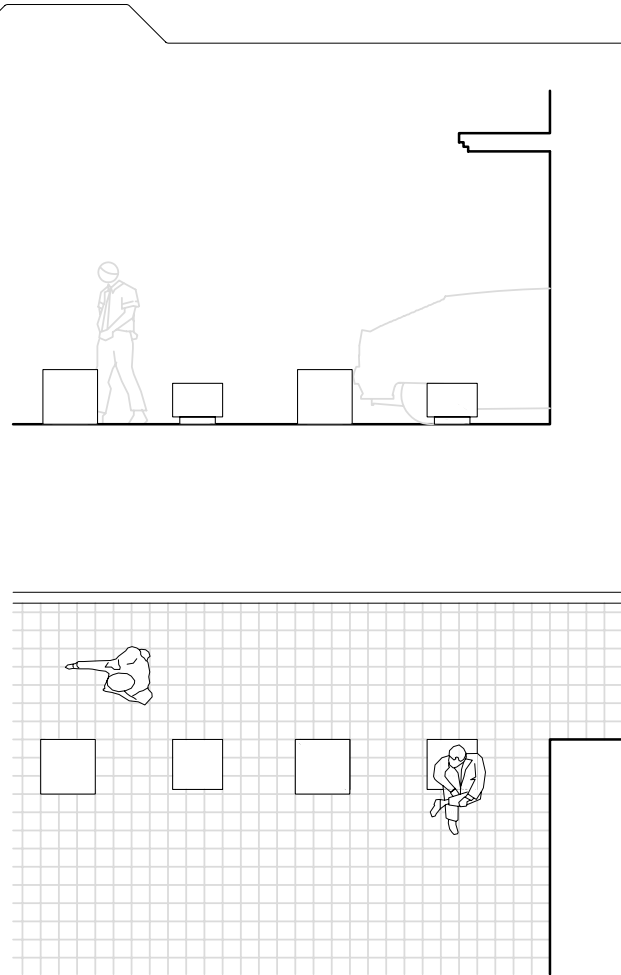


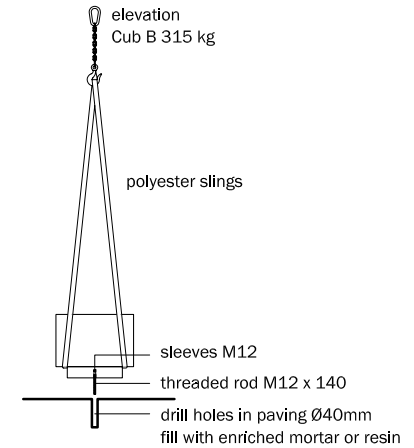
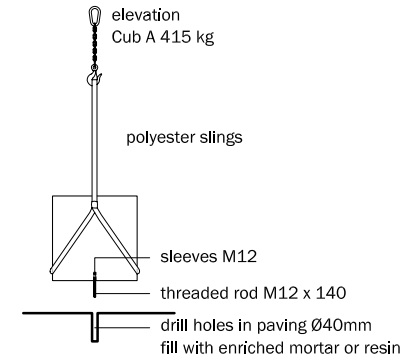
## GEOMETRY



scale (in cm.) 0 50



## POSITIONING



Fastening system  
Anchored firmly to consolidated base

## CUB

These are elements that are characterized by their pure and basic forms. Their neutrality makes them suitable for several functions apart from seating, such as limiting or arranging the surrounding areas.

Cub A. Its square shape gives it the aspect of a block supported directly on the ground.

Cub B. Its streamlined shape and its supporting base gives it a more ornamental aspect.

patented model ©



**MATERIAL :** Reinforced Concrete  
**COLOUR :** White, Grey, Black  
**TEXTURE :** Stripped, Plain  
**FINISH :** Water Repellent  
**WEIGHT :** (A) 415 Kg / (B) 315 Kg  
**INSTALLATION :** Root fixed

**DESIGN :** Internal team

