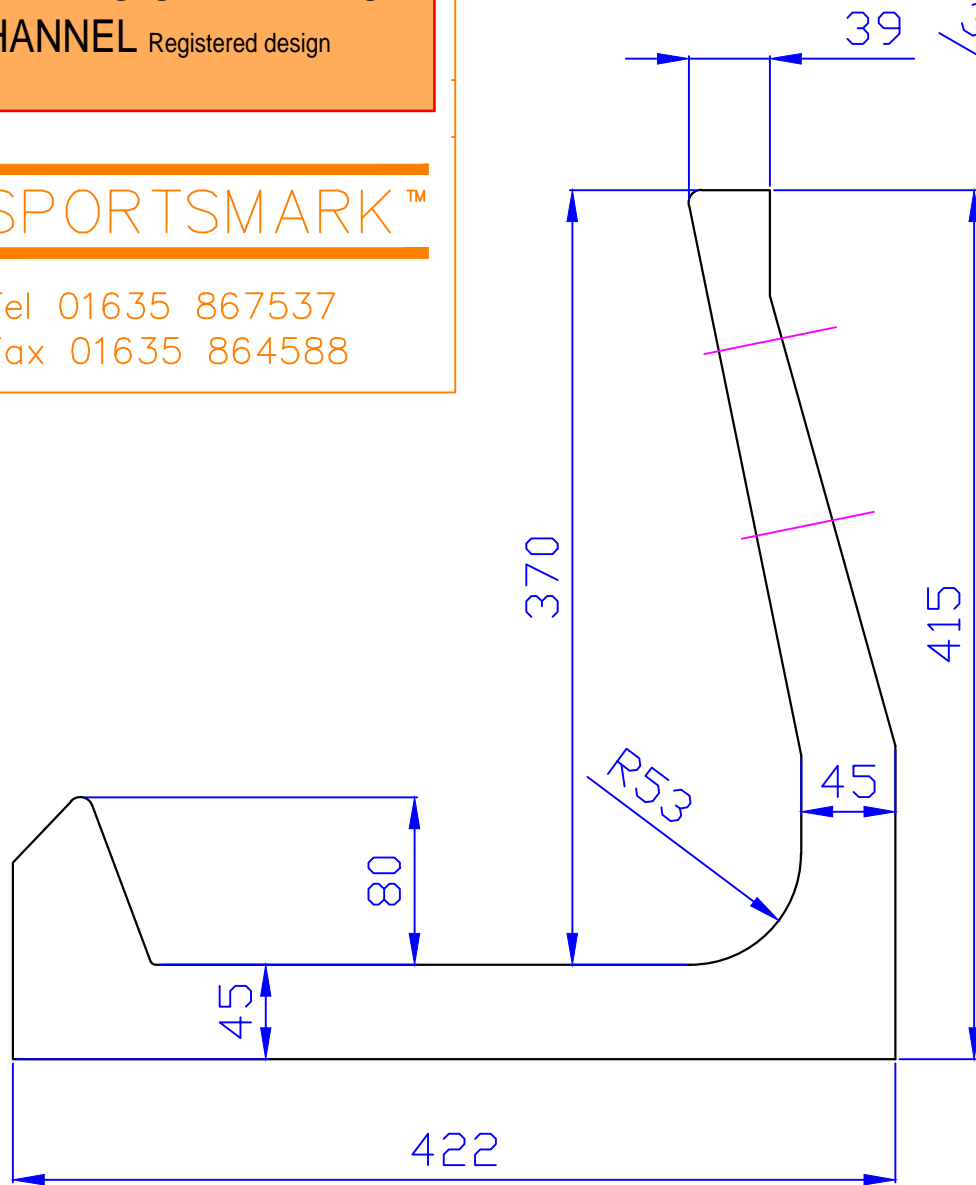


**BW3 SPORTSMARK
COUNTY CONCRETE
BOWLING GREEN DITCH
CHANNEL** Registered design

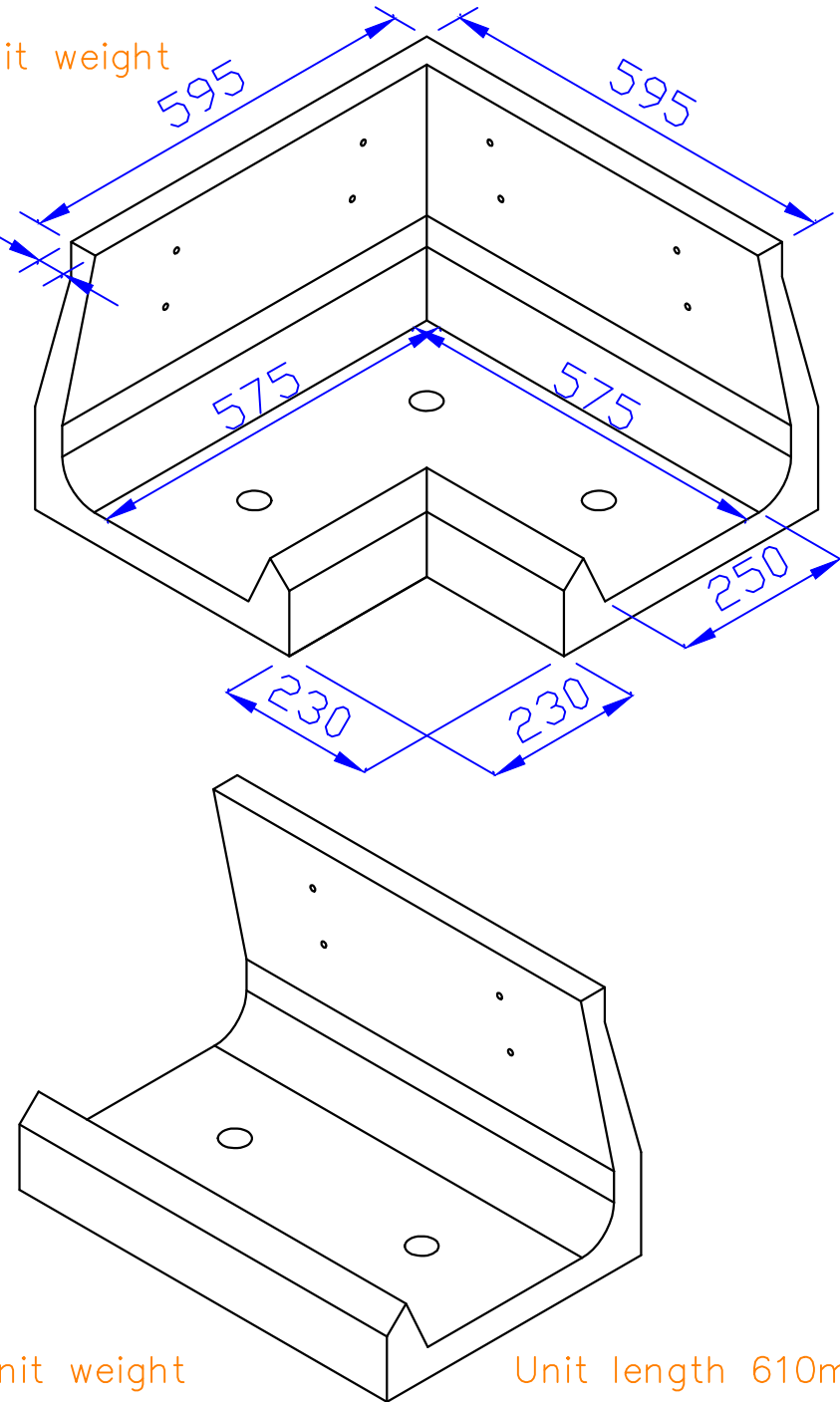
SPORTSMARK™

Tel 01635 867537
Fax 01635 864588

Corner unit weight
90kg.



610mm unit weight
52kg



Unit length 610mm