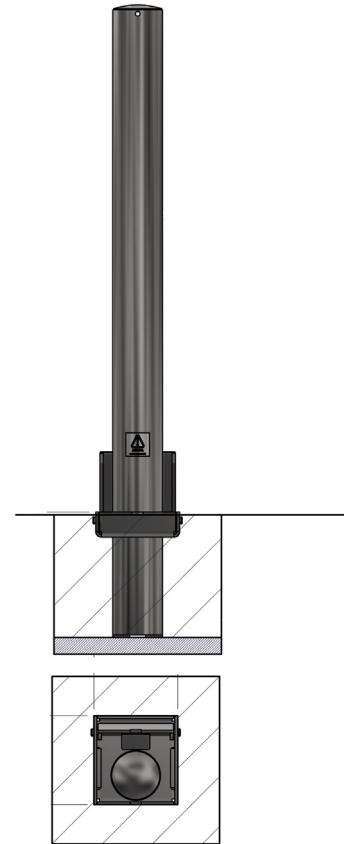




Removable Bollard 1000mm Above Ground 76mm - 114mm Diameter Galvanised & Black/White



The Removable Bollard Black/White offers an effective, simple and robust way to protect premises and vehicles. Removable Bollards are particularly suitable for locations where occasional access is required, the simple tab and padlock system provides an easy to operate solution for locking the bollard in place. The Removable Bollard Black/White is 1,000mm above ground and is available in a range of outside tube diameter sizes from 76mm through to 114mm. Padlock to secure is available at an extra cost.

The Removable Bollard 1000 is ideal for protecting vehicle forecourts, commercial premises, car parks and domestic driveways and can be used in conjunction with fixed bollards as part of a security system for all types of premises.

The Removable Bollard Black/White has galvanised and powder coated black body, complete with a 200mm width, white reflective band.

<u>Part Number</u>	<u>Description</u>	<u>Lift Weight (kg)</u>	<u>Weight (kg)</u>
138 121 213BW	76mm Galvanised and Black & White - Removable	7kg	11kg
138 121 281BW	90mm Galvanised and Black & White - Removable	9kg	13kg
138 121 302BW	101mm Galvanised and Black & White - Removable	10kg	18kg
138 121 411BW	114mm Galvanised and Black & White - Removable	12kg	20kg

Product details

- 1000mm (Height above ground)
- 3mm wall thickness
- Socket - 220mm (below ground) - 76mm & 90mm diameter
- Socket - 300mm (below ground) - 101mm & 114mm diameter
- Price excludes padlock to secure

Installation & use

Bolt down to a suitable concrete surface.

Telescopic, removable and concrete in are supplied with welded fixing spikes to ensure firm ground anchorage into concrete.

Telescopic, removable and concrete in require a suitable excavated hole for installing into concrete.

Products are guaranteed for 12 months (if installed and used correctly).



www.autopa.co.uk
+44 (0)1788 550556

AUTOPA Limited
Cottage Leap, Rugby, Warwickshire CV21 3XP

