



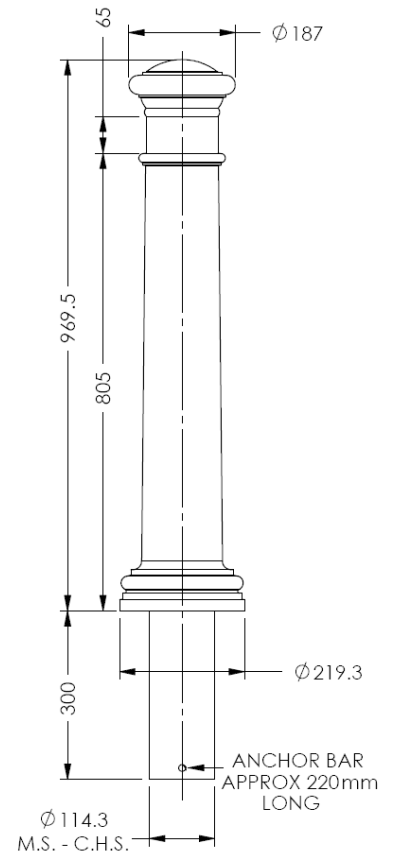
# Manchester 1000mm Polyurethane



The AUTOPA Manchester Polyurethane Bollard has a traditional design and offers an elegant and robust access control solution. Ideal for use around shops, pavements and parking areas, this bollard can be used individually or as a part of wider traffic calming measures.

Corrosion and shatter proof, this bollard is cast in an engineering grade, heavy duty polymer around a steel core.

Available concrete in and black only, polyurethane bollards are a durable like for like replacement for traditional cast iron bollards.



<u>Part Number</u>	<u>Description</u>	<u>Weight (kg)</u>
138 124 000	Manchester	22kg

## Product details

- Available concrete in only
- 225mm maximum diameter
- Concrete in 300mm (below ground)
- 114mm core diameter

## Installation & use

Bolt down to a suitable concrete surface.  
Telescopic, removable and concrete in are supplied with welded fixing spikes to ensure firm ground anchorage into concrete.  
Telescopic, removable and concrete in require a suitable excavated hole for installing into concrete.  
Products are guaranteed for 12 months (if installed and used correctly).



[www.autopa.co.uk](http://www.autopa.co.uk)  
+44 (0)1788 550556

AUTOPA Limited  
Cottage Leap, Rugby, Warwickshire CV21 3XP

