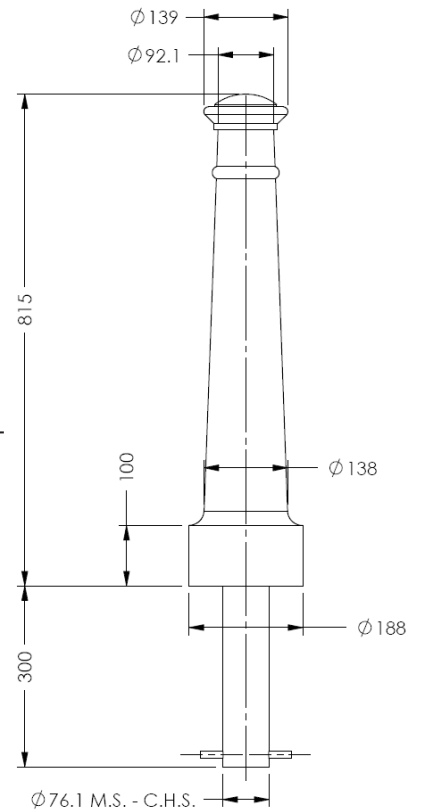




Blackpool 815mm Polyurethane



The AUTOPA Blackpool Polyurethane Bollard has a traditional design and offers site owners a simple and effective way of controlling parking and vehicle access. Ideal for use around shops, pavements and parking areas, these bollards can be used individually or as a part of a wider traffic calming measure.

Cast in an engineering grade, heavy duty polymer, around an integral steel core, these bollards are corrosion and shatter proof.

Available concrete in and black only, these bollards are a durable replacement for traditional cast iron bollards.

<u>Part Number</u>	<u>Description</u>	<u>Weight (kg)</u>
138 124 010	Blackpool	17kg

Product details

- Available concrete in only
- 188mm maximum diameter
- Concrete in 300mm (below ground)
- 76mm core diameter

Installation & use

Bolt down to a suitable concrete surface.
Telescopic, removable and concrete in are supplied with welded fixing spikes to ensure firm ground anchorage into concrete.
Telescopic, removable and concrete in require a suitable excavated hole for installing into concrete.
Products are guaranteed for 12 months (if installed and used correctly).



www.autopa.co.uk
+44 (0)1788 550556

AUTOPA Limited
Cottage Leap, Rugby, Warwickshire CV21 3XP

