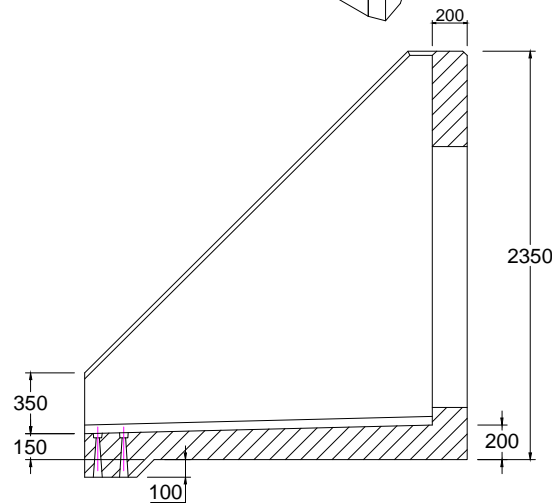
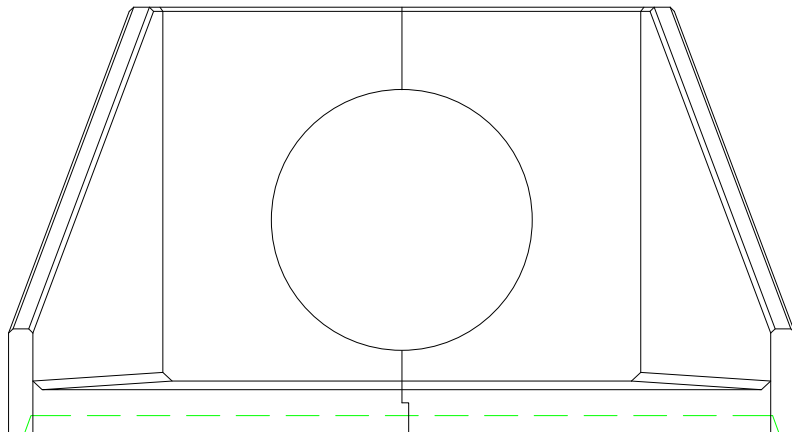
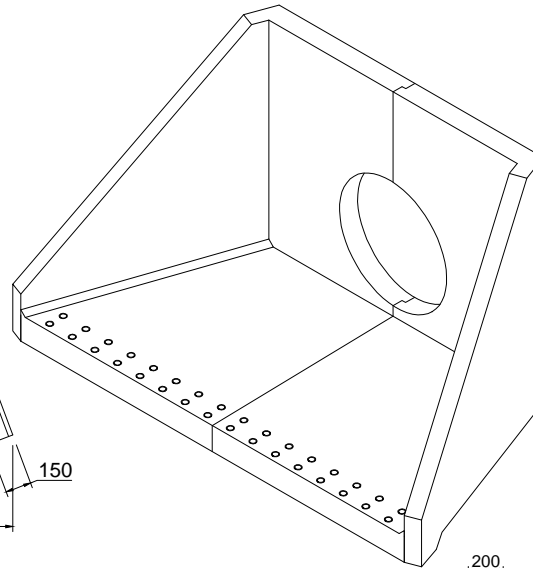
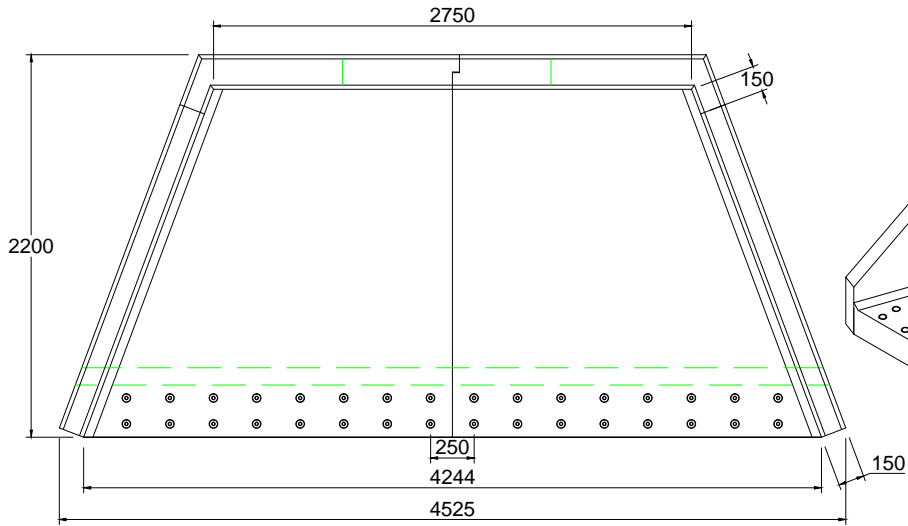


ALTHON SFA27D HEADWALL

SFA27D Specification Information

- Opening in back wall cast to suit outside diameter of the pipework
- Invert level of pipe can be set to your specification
- There is a 50mm fall from the back wall of the headwall to the front of the spillway
- SFA27D suitable for pipework up to 1500mm ID Twin wall or Clay and 1500mm ID Concrete with Sewers for Adoption compliant grating, or up to 1500mm ID Twin wall or Clay and 1500mm ID Concrete without Sewers for Adoption compliant grating



ADDRESS: ALTHON LIMITED
VULCAN ROAD SOUTH
NORWICH
NR6 6AF

TEL: 01603 488700
FAX: 01603 488598
EMAIL: sales@althon.co.uk
WEBSITE: www.althon.co.uk

DRAWING TITLE:

SFA27D HEADWALL

Althon SFA27D Headwall Installation

Units should be bedded on minimum 100mm of semi-dry concrete.
Material: Reinforced concrete
Weight approximately 8930kg
All dimensions in mm

SCALE:	PAPER:	DATE:
NTS	A1	30 - 11 - 15

DRAWING No: SFA27D