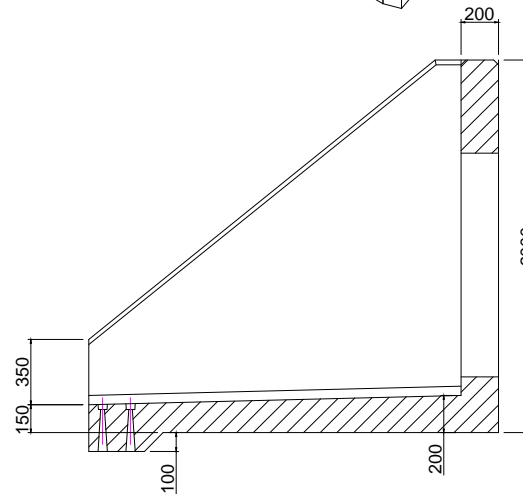
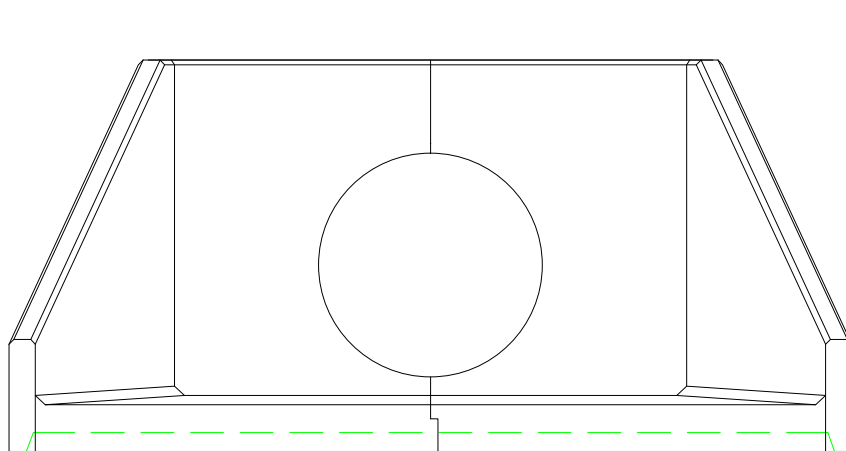
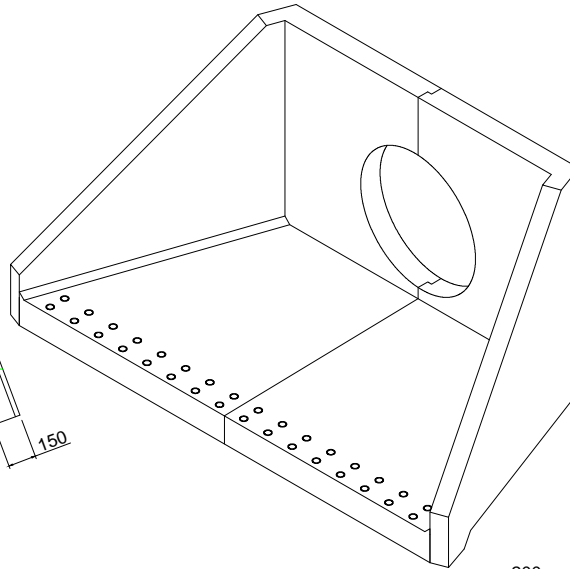
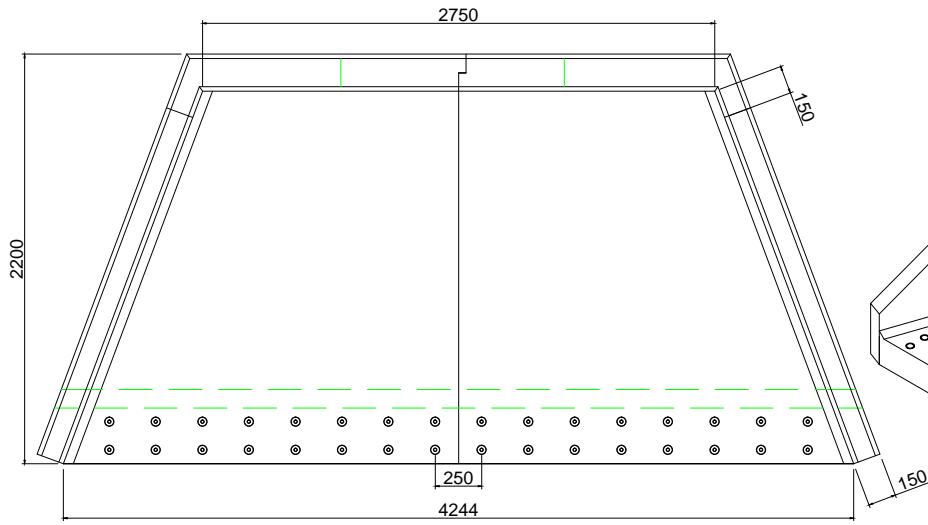


ALTHON SFA27C HEADWALL

SFA27C Specification Information

- Opening in back wall cast to suit outside diameter of the pipework
- Invert level of pipe can be set to your specification
- There is a 50mm fall from the back wall of the headwall to the front of the spillway
- SFA27C suitable for pipework up to 1200mm ID Twin wall or Clay and 1200mm ID Concrete with Sewers for Adoption compliant grating, or up to 1200mm ID Twin wall or Clay and 1200mm ID Concrete without Sewers for Adoption compliant grating



Althon SFA27C Headwall Installation

Units should be bedded on minimum 100mm of semi-dry concrete.
 Material: Reinforced concrete
 Weight approximately 8140kg
 All dimensions in mm

ADDRESS: ALTHON LIMITED
 VULCAN ROAD SOUTH
 NORWICH
 NR6 6AF

TEL: 01603 488700
 FAX: 01603 488598
 EMAIL: sales@althon.co.uk
 WEBSITE: www.althon.co.uk

DRAWING TITLE:

SFA27C HEADWALL

SCALE:	PAPER:	DATE:
NTS	A1	25 - 11 - 15

DRAWING No: SFA27C