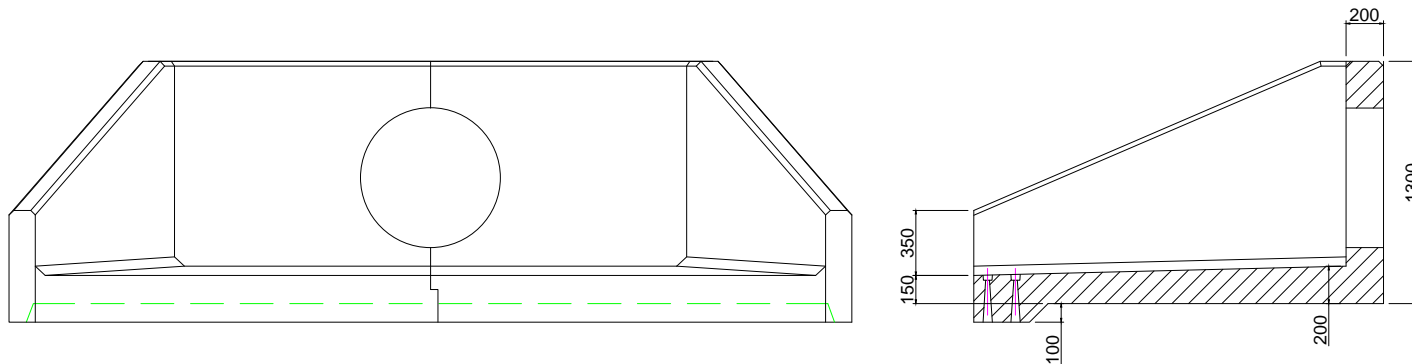
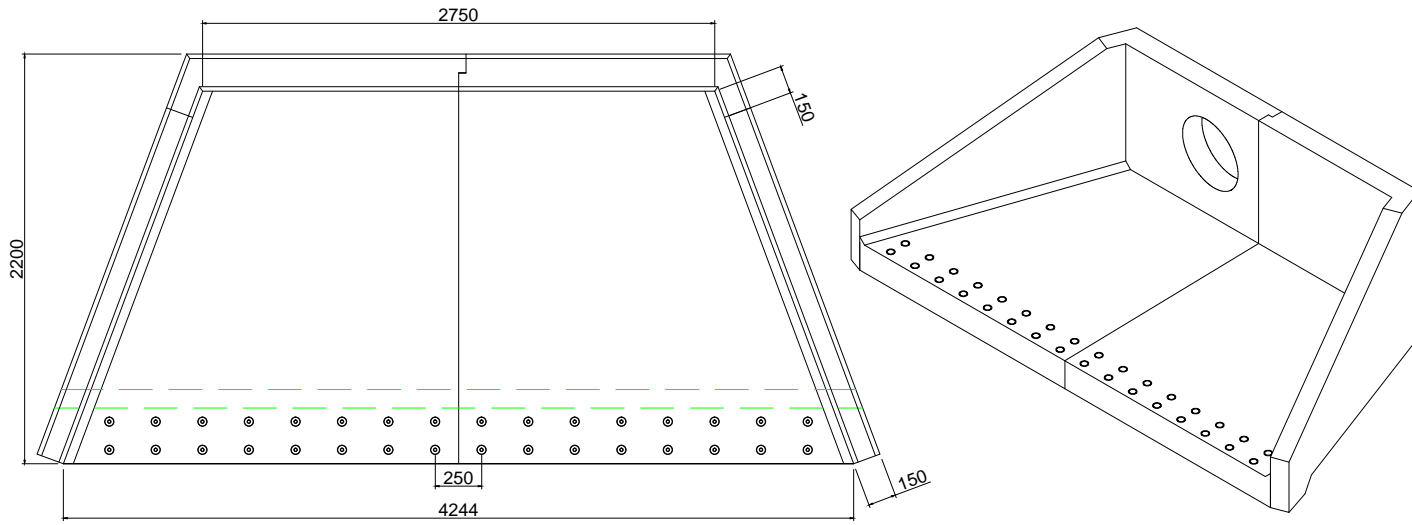


ALTHON SFA27A HEADWALL

SFA27A Specification Information

- Opening in back wall cast to suit outside diameter of the pipework
- Invert level of pipe can be set to your specification
- There is a 50mm fall from the back wall of the headwall to the front of the spillway
- SFA27A suitable for pipework up to 600mm ID Twin wall or Clay and 600mm ID Concrete with Sewers for Adoption compliant grating, or up to 600mm ID Twin wall or Clay and 600mm ID Concrete without Sewers for Adoption compliant grating



ADDRESS: ALTHON LIMITED
VULCAN ROAD SOUTH
NORWICH
NR6 6AF

TEL: 01603 488700
FAX: 01603 488598
EMAIL: sales@althon.co.uk
WEBSITE: www.althon.co.uk

DRAWING TITLE:

SFA27A HEADWALL

Althon SFA27A Headwall Installation

Units should be bedded on minimum 100mm of semi-dry concrete.
Material: Reinforced concrete
Weight approximately 6580kg
All dimensions in mm

SCALE:	PAPER:	DATE:
NTS	A1	17 - 11 - 15

DRAWING No:

SFA27A