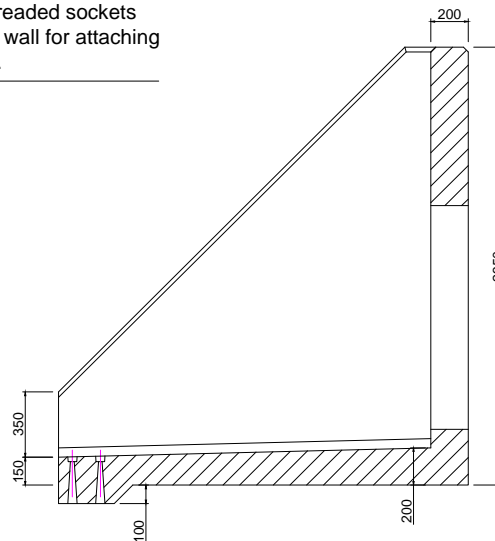
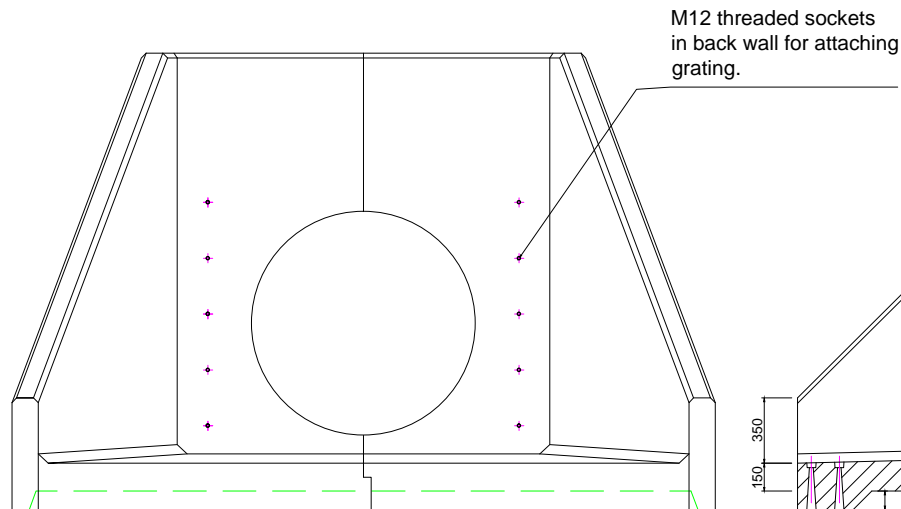
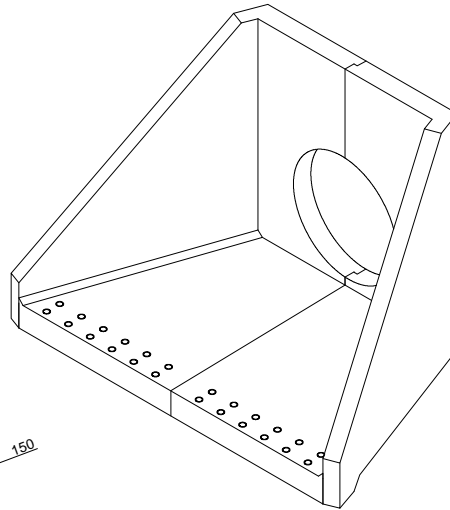
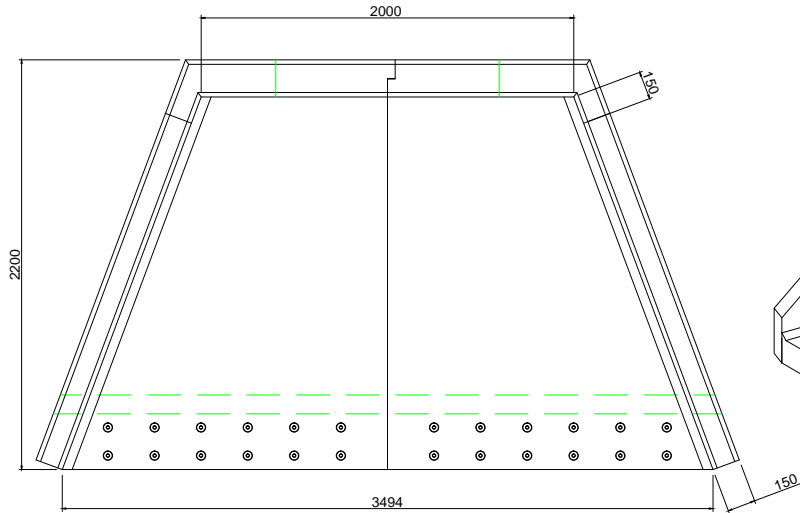


**SFA20D Specification Information**

- Opening in back wall cast to suit outside diameter of the pipework
- Invert level of pipe can be set to your specification
- There is a 50mm fall from the back wall of the headwall to the front of the spillway
- SFA20D suitable for pipework up to 1200mm ID Twin wall or Clay and 1200mm ID Concrete with Sewers for Adoption compliant grating, or up to 1500mm ID Twin wall or Clay and 1500mm ID Concrete without Sewers for Adoption compliant grating



**Althon SFA20D Headwall Installation**

Units should be bedded on minimum 100mm of semi-dry concrete.  
 Material: Reinforced concrete  
 Weight approximately 7390kg  
 All dimensions in mm

ADDRESS: ALTHON LIMITED  
 VULCAN ROAD SOUTH  
 NORWICH  
 NR6 6AF

TEL: 01603 488700  
 FAX: 01603 488598  
 EMAIL: sales@althon.co.uk  
 WEBSITE: www.althon.co.uk

DRAWING TITLE:

SFA20D HEADWALL

SCALE:	PAPER:	DATE:
NTS	A1	12 - 11 - 15

DRAWING No:

SFA20D