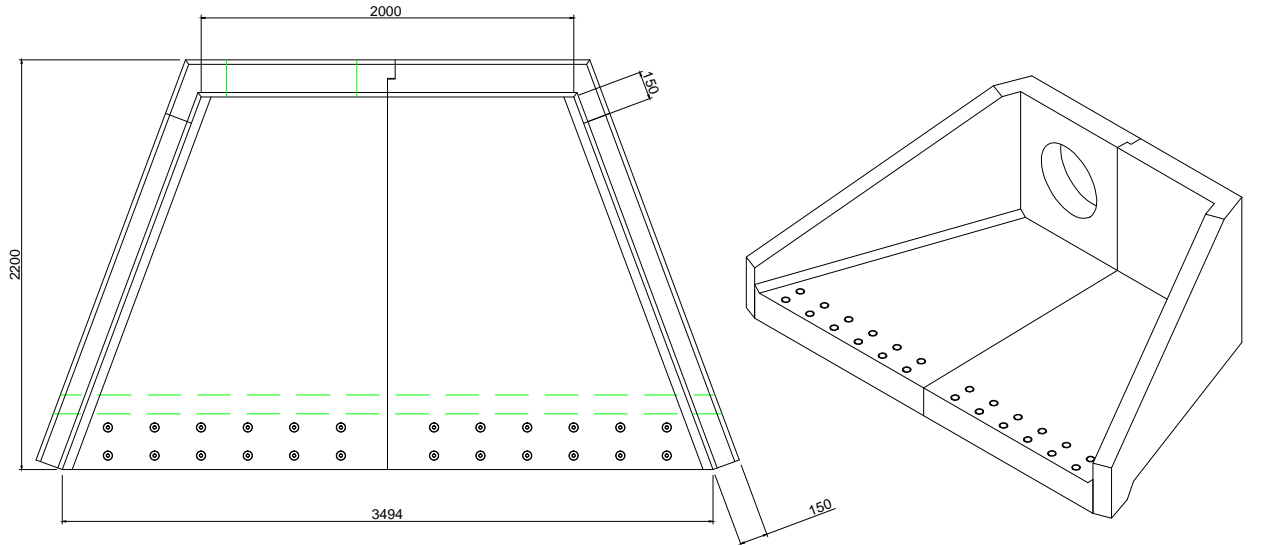


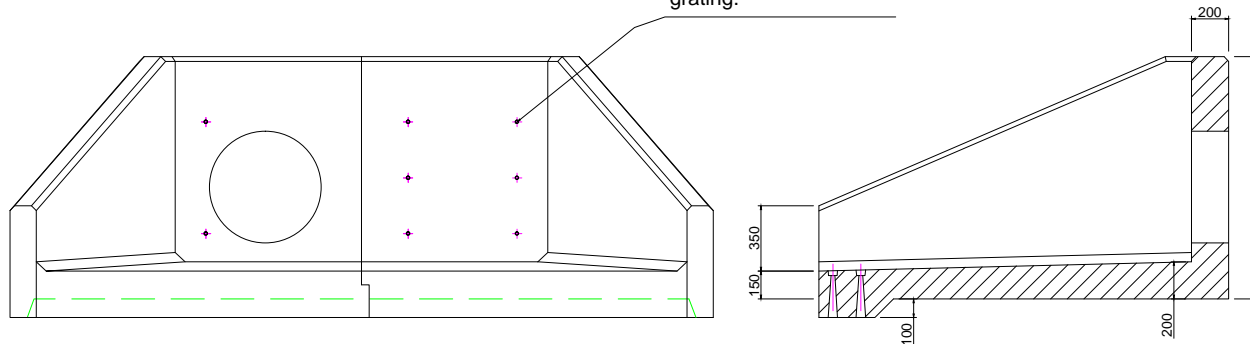
ALTHON SFA20A HEADWALL

SFA20A Specification Information

- Opening in back wall cast to suit outside diameter of the pipework
- Invert level of pipe can be set to your specification
- There is a 50mm fall from the back wall of the headwall to the front of the spillway
- SFA20A suitable for pipework up to 600mm ID Twin wall or Clay and 600mm ID Concrete with Sewers for Adoption compliant grating, or up to 600mm ID Twin wall or Clay and 600mm ID Concrete without Sewers for Adoption compliant grating



M12 threaded sockets
in back wall for attaching
grating.



Althon SFA20A Headwall Installation

Units should be bedded on minimum 100mm of semi-dry concrete.
For full detailed installation instructions contact Althon Ltd,
01603 488700
Material: Reinforced concrete
Weight approximately 5600kg
All dimensions in mm

ADDRESS: ALTHON LIMITED
VULCAN ROAD SOUTH
NORWICH
NR6 6AF

TEL: 01603 488700
FAX: 01603 488598
EMAIL: sales@althon.co.uk
WEBSITE: www.althon.co.uk

DRAWING TITLE:

SFA20A HEADWALL

SCALE:	PAPER:	DATE:
NTS	A1	29 - 10 - 15

DRAWING No:

SFA20A

DRAWING FOR ILLUSTRATION PURPOSES ONLY