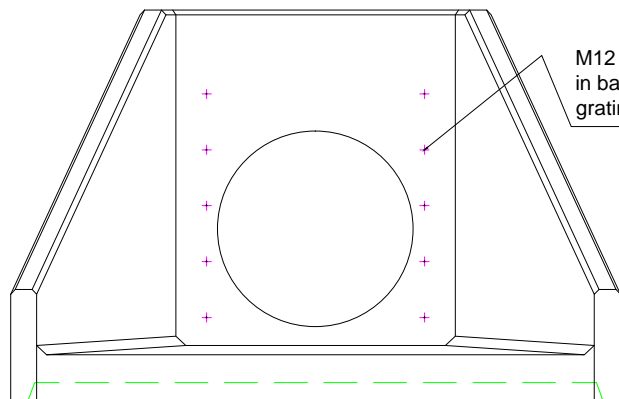
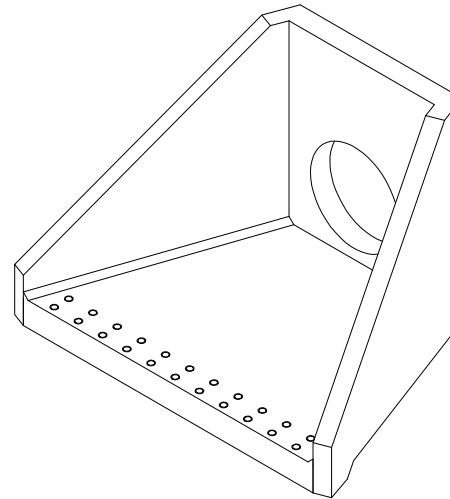
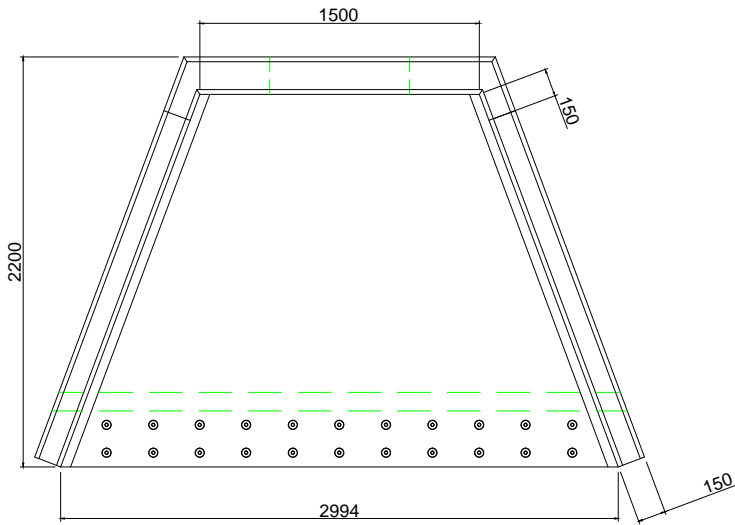
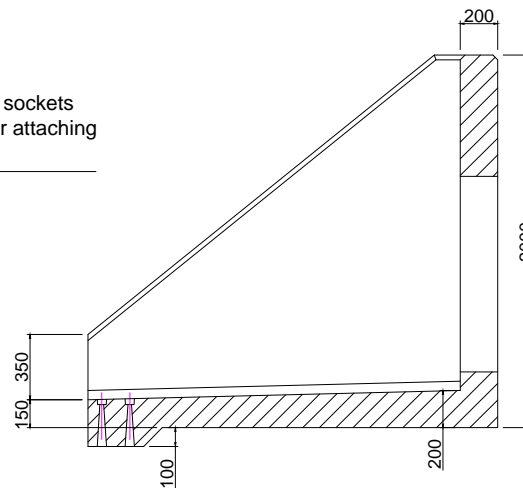


SFA15C Specification Information

- Opening in back wall cast to suit outside diameter of the pipework
- Invert level of pipe can be set to your specification
- There is a 50mm fall from the back wall of the headwall to the front of the spillway
- SFA15C suitable for pipework up to 900mm ID Plastic or C'ware and 900mm ID PCC with Sewers for Adoption compliant grating, or up to 1050mm ID Plastic or C'ware and 1050mm ID PCC without Sewers for Adoption compliant grating



M12 threaded sockets in back wall for attaching grating.



Althon SFA15C Headwall Installation

Units should be bedded on minimum 100mm of semi-dry concrete.
 For full detailed installation instructions contact Althon Ltd,
 01603 488700
 Material: Reinforced concrete
 Weight approximately 5780kg
 All dimensions in mm

ADDRESS: ALTHON LIMITED
 VULCAN ROAD SOUTH
 NORWICH
 NR6 6AF

TEL: 01603 488700
 FAX: 01603 488598
 EMAIL: sales@althon.co.uk
 WEBSITE: www.althon.co.uk

DRAWING TITLE:

SFA15C HEADWALL

| SCALE: | PAPER: | DATE: |
|--------|--------|--------------|
| NTS | A1 | 23 - 10 - 15 |

DRAWING No:

SFA15C