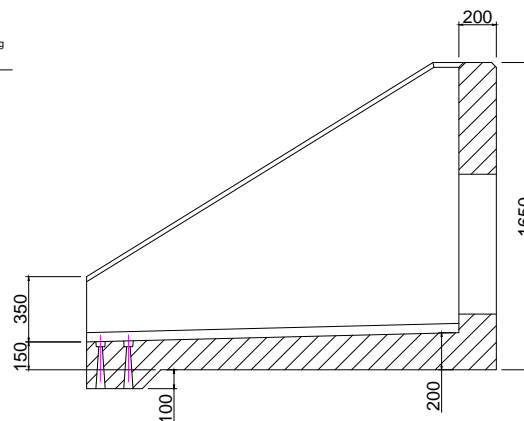
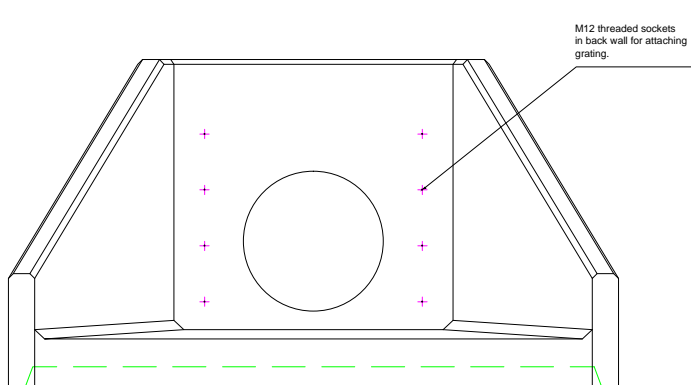
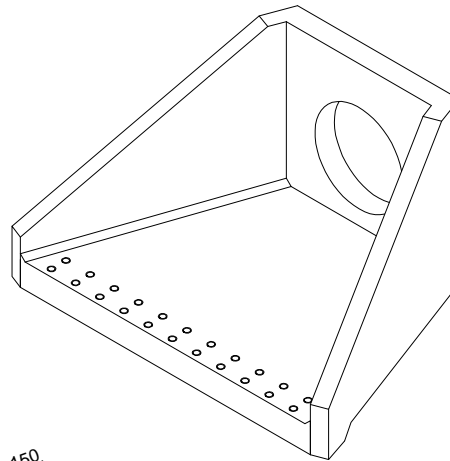
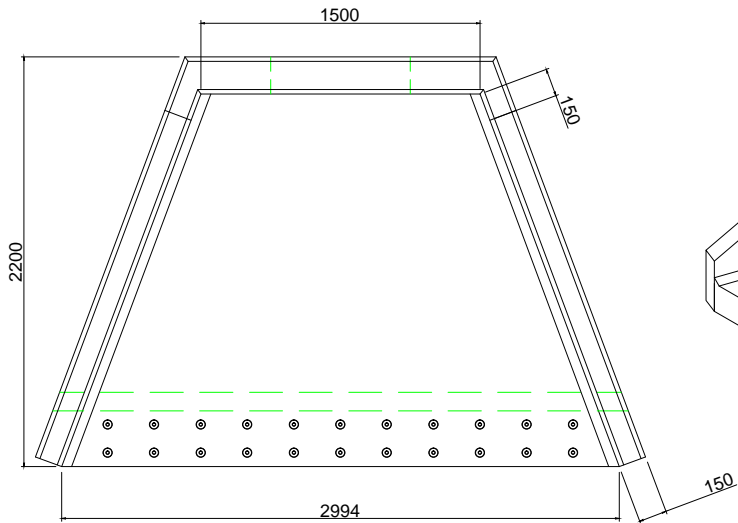


### SFA15B Specification Information

- Opening in back wall cast to suit outside diameter of the pipework
- Invert level of pipe can be set to your specification
- There is a 50mm fall from the back wall of the headwall to the front of the spillway
- SFA15B suitable for pipework up to 750mm ID Plastic or C'ware and 750mm ID PCC with Sewers for Adoption compliant grating, or up to 1050mm ID Plastic or C'ware and 1050mm ID PCC without Sewers for Adoption compliant grating



### Althon SFA15B Headwall Installation

Units should be bedded on minimum 100mm of semi-dry concrete.  
 For full detailed installation instructions contact Althon Ltd,  
 01603 488700  
 Material: Reinforced concrete  
 Weight approximately 5210kg  
 All dimensions in mm