

## Drq. No. H50C

**Installation**  
 Units should be bedded on minimum 100mm of semi-dry concrete. Sit the headwall level or with a slight fall 1:50 from pipe to spill mouth.

**Material:** Reinforced Concrete  
**Weight** Approx 900kg  
 All dimensions in mm

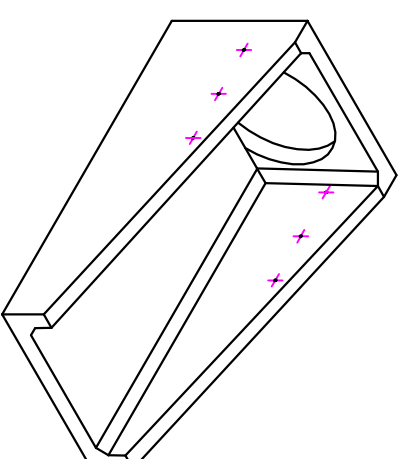
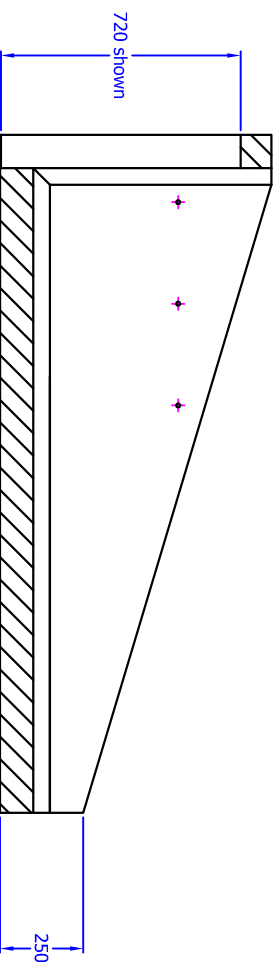
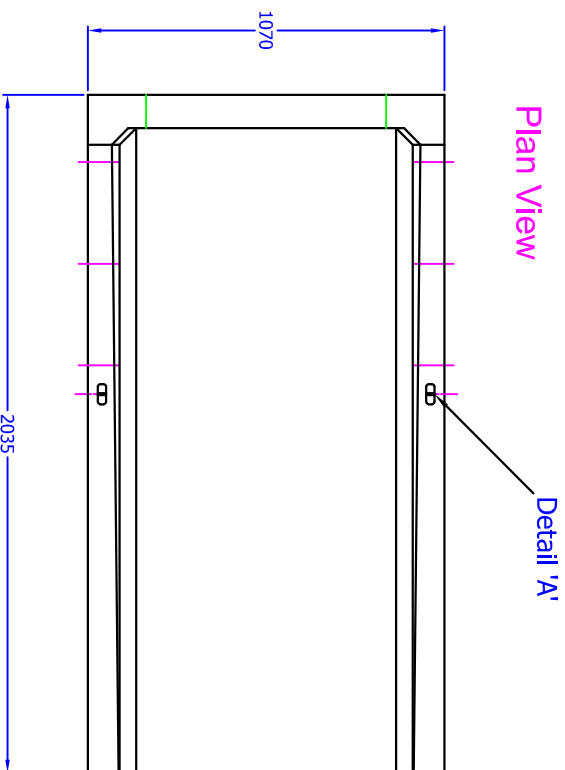
Opening in back wall cast to suit the outside diameter pipe at invert height to opening as required.



Lifting ring clutch.



Detail 'A'  
 Cast in Universal anchor point.



## Drq. No. H50C (Drainage outfall)

A one piece concrete headwall to suit pipes up to 600mm internal diameter. These headwalls can be used when the ditch bank is very shallow approx 1:3.3. They can be provided with fixings for grating, flap valves or with a full length sloped grating.

