



FLOATING FOUNTAIN MIDI II / MAXI II

Easy to install, low-maintenance and with an attractive design: The MIDI II / MAXI II floating fountains feature four jet patterns for interesting effects both day and night.

Two motor power outputs offer solutions for different water bodies and conditions. Optimised water pressure creates impressive heights for the four available jet patterns with 3" standard threads for fast changing.



The easy-to-install Lunaqua 10 illumination sets provides for impressive lighting of the water pattern.

The MIDI II & MAXI II floating fountains are capable of a fountain height up to 9m & 16.5m respectively with the use of the high jet nozzle.

Product characteristics at a glance

- ◆ Complete, ready-to-connect fountain in 2 different output sizes with regulation-conformant earthed plug (230 V) and motor circuit breaker or CEE plug (400 V).
- ◆ Easy to install thanks to "Plug & Spray"
- ◆ 4 easy-change nozzle patterns with 3" standard threads.
- ◆ Lunaqua 10 illumination system. (optional).
- ◆ Includes mounting set.
- ◆ Control cabinet with timer controls (optional).



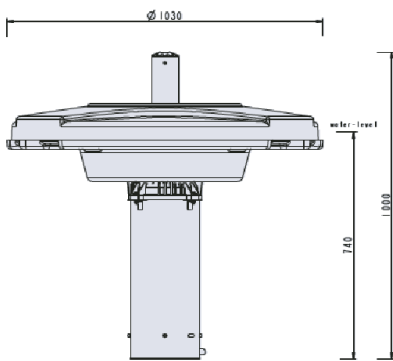
Schuko plugs + control box

The 230V version is delivered ready for operation with control box and Schuko connector.

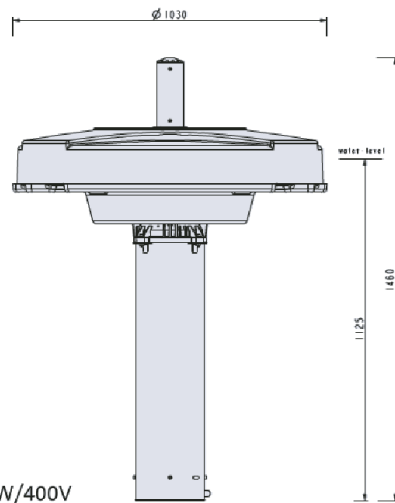


CEE-connector + protection switch

The 400V version comes with a ready-to-connect, 5-pole CEE connector and motor protection switch



MIDI II 1.1 KW/230V



MAXI II 4.0 KW/400V



Floating Fountain	MIDI II 1.1KW / 230V	MAXI II 4.0KW / 400V
Dimensions inc. Nozzle (ø x H) [mm]	1030 x 1000	1030 x 1460
Motor power [kW]	1.1	4.0
Pump output [l/h]	22000	39000
Minimum water depth [mm]	1000	1250
Protection class	IP68	IP68
Rated current (230V/400V) [A]	7.3	9.6
Voltage [V/Hz]	230 AC / 50	400 AC / 50
Weight [kg]	43	60
Pump cable length [m]	50	50
Product Number:	OUK50365	OUK50371

Nozzle High Jet 3" Midi II / Maxi II



Fountain attachment		Nozzle High Jet 3" Midi II / Maxi II	
Fountain type		Midi II 1.1KW / 230V	Maxi II 4.0KW / 400V
Fountain Total Height	[m]	9.0	16.5
Fountain 1st Step Height	[m]	-	-
Fountain Diameter	[m]	-	-
Product Number:		OUK50375	

Nozzle Geyser Jet 3" Midi II / Maxi II



Fountain attachment		Nozzle Geyser Jet 3" Midi II / Maxi II	
Fountain type		Midi II 1.1KW / 230V	Maxi II 4.0KW / 400V
Fountain Total Height	[m]	5.0	12.0
Fountain 1st Step Height	[m]	-	-
Fountain Diameter	[m]	-	-
Product Number:		OUK50377	

Nozzle Grand Vulcan 3" Midi II / Maxi II



Fountain attachment		Nozzle Grand Vulcan 3" Midi II / Maxi II	
Fountain type		Midi II 1.1KW / 230V	Maxi II 4.0KW / 400V
Fountain Total Height	[m]	3.0	7.0
Fountain 1st Step Height	[m]	-	-
Fountain Diameter	[m]	Ø 2.5	Ø 4.0
Product Number:		OUK50376	

Nozzle Trumpet Jet 3" Midi II / Maxi II



Fountain attachment		Nozzle Trumpet Jet 3" Midi II / Maxi II	
Fountain type		Midi II 1.1KW / 230V	Maxi II 4.0KW / 400V
Fountain Total Height	[m]	5.0	9.5
Fountain 1st Step Height	[m]	1.2	2.5
Fountain Diameter	[m]	Ø 2.5	Ø 8.0
Product Number:		OUK50378	

Illumination Sets Midi II / Maxi II



Each Midi & Maxi can support up to 9 lights (3 Sets). Each set is available in LED or Halogen and is supplied with an underwater safety transformer and connecting cables between the spotlights. Each set of 3 spotlights are mounted to the side of the float using a special bracket.



UST 150 Underwater Transformer
IP68 Rated, 230V / 50Hz. Supports both LED & Halogen spotlights.



Underwater Connectors
Special low voltage cables to connect both LED & Halogen spotlights to the underwater transformer.



Three Halogen Spotlights
Each spotlight comes fitted with a 50W Halogen lamp.



Three LED Spotlights
Lunaqua 10 LED fitted with a 10W LED board.

Set of 3 Halogen	Set of 3 LED
3 x Lunaqua 10, each with a 50W halogen bulb.	3 x Lunaqua 10 LED, each with a 10W LED board
3 x Light Mounting brackets.	3 x Light Mounting brackets.
Special stainless holder for mounting the transformer.	Special stainless holder for mounting the transformer.
1 x Safety transformer 150VA.	1 x Safety transformer 150VA.
230V-12V, 50Hz.	230V-12V, 50Hz.
Incl. 50.0m + 2.0m cable.	Incl. 50.0m + 2.0m cable.
Product Number: OUK50188	OUK50479