



POND-JET

The pond jet floating fountain is a ready to connect unit that can be quickly and easily installed.

The standard nozzle supplied (top right image) gives an attractive fountain display up to 3.0 metres in height.

As the unit floats on the water surface a dirty or muddy pond base will not affect performance.

Product characteristics at a glance

- ◆ Ready-to-connect complete aggregate, consisting of pump, float element, and Pond-Jet-nozzle with 1" thread.
- ◆ Clearly structured fountain height and spray diameter of 3 metres.
- ◆ Minimum water depth in clear water is 1 metre, for a muddy pond floor the minimum depth is 1.5 metre.
- ◆ Lighting set and additional nozzle patterns are available as accessories.
- ◆ Comes with up to a 3 year guarantee.



Product Number:

OUK57075



Pond-jet Illumination set

Lunaqua 10 with 50W lamps	3 x
Stainless steel holder	3 x
Transformer 150VA	1 x
Cable length	20.0m

Product Number:

OUK57083

*Illumination Set sold separately
LED Illumination Set available on request*



Pond-Jet-nozzle
with 1" thread, cover and plug.



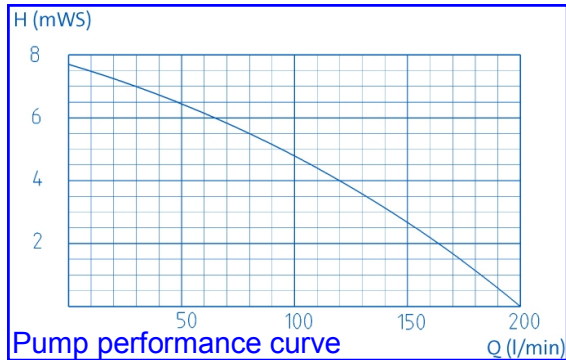
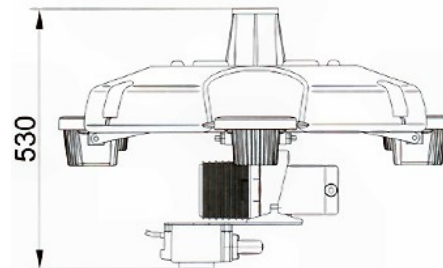
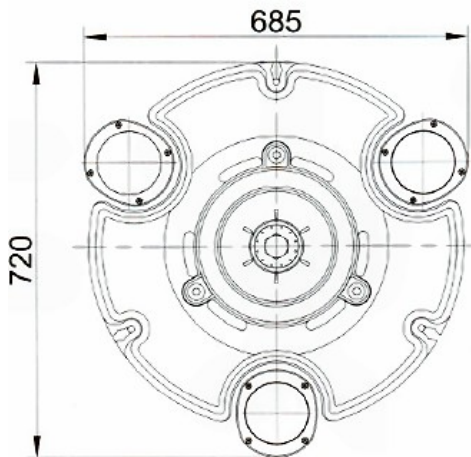
Connection possibility
of the underwater lighting transformer.



1" thread with nozzle
Here, as an example with a mounted
Schaumsprudler 35-10E.



Accessories: Lighting set
Three Lunaqua to spotlights must be ordered separately.



Pump performance curve

Nozzles sold separately



Nozzles	
Vulkan 37-2.5K	Schaumsprudler 35-20E
Height (cm) 400	140
OUK52319	OUK50984

Pond-jet	
Dimensions	685 x 540mm
Voltage	220 –240V / 50Hz
Power consumption	270W
Litres per hour max.	12000 l/h
Head height	7.7m
Cable length	20.0m
Weight	~11.0kg
Product Number:	OUK57075