



**Fitzpatrick
Woolmer**

Grenadier™ Directional Sign

Our aluminium and Oak **Grenadier™** directional signs offer a perfect combination of durability and elegance, making them ideal for guiding visitors through any attraction. The robust aluminium construction ensures long-lasting performance, while the oak detailing provides a classic, inviting look.

Designed for easy visibility, these signs help visitors navigate effortlessly. With their resilience to the elements and timeless design, they provide a dependable and stylish wayfinding solution, ensuring smooth and efficient visitor experiences in any environment.

Product features

- * Hardwood PEFC Oak and aluminium construction
- * Self adhesive vinyl lettering and logos
- * Preservative and powdercoat finish
- * Standard sizes 1200mm wide and 800mm wide (variable depths)
- * 1 year manufacturer's warranty

Fitzpatrick Woolmer Design & Publishing Limited

Unit 7 Lakeside Park, Neptune Close, Rochester, Kent, ME2 4LT
t: 01634 711 771 e: info@fwdp.co.uk w: fwdp.co.uk



By Appointment to His Majesty The King
Manufacturer of Signs and Wayfinding
Fitzpatrick Woolmer Design & Publishing Ltd, Kent

Specification applies to the standard product. Our range of options usually allow us to accommodate any differences you may require. Please contact us and we will be happy to support you in developing this specification to meet your requirements.

Option delete/ update as appropriate

Manufacturer: Fitzpatrick Woolmer,
Unit 7 Lakeside Park, Neptune Close,
Rochester, Kent, ME2 4LT.

Tel: 01634 711 771

Email: info@fwdp.co.uk

Timber: PEFC QPA Grade, generally to BS EN 975-1

Species: Oak

Origin: France

Moisture content on delivery: 60% - 80%

Finish: Sadolin Classic wood preservative,
solvent based, matt

Colour: Light Oak

Metal: Aluminium

Grade: 1050

Thickness: 3mm

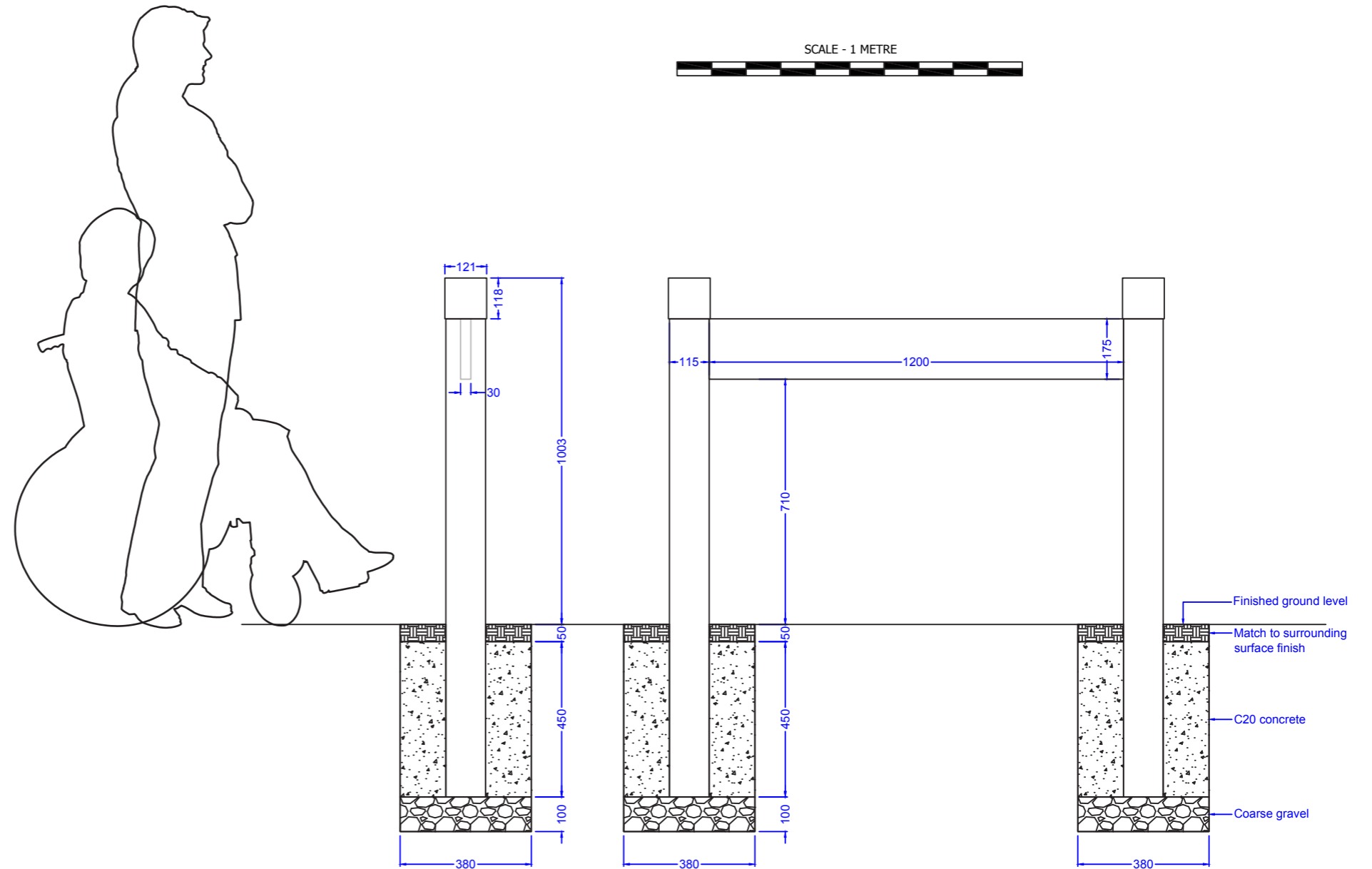
Finish: Powdercoat to BS EN 12206:2021 Part 1

Colour: RAL 9005 Black and Corten effect caps

Weight: 51kg

Installation: Posts extend 500mm below
ground level

Guarantee: One year manufacturer's warranty



Note: All dimensions are indicative only. Footing details are subject to soil conditions and structural engineers recommendations.

Specification applies to the standard product. Our range of options usually allow us to accommodate any differences you may require. Please contact us and we will be happy to support you in developing this specification to meet your requirements.

Option delete/ update as appropriate

Manufacturer: Fitzpatrick Woolmer,
Unit 7 Lakeside Park, Neptune Close,
Rochester, Kent, ME2 4LT.

Tel: 01634 711 771

Email: info@fwdp.co.uk

Timber: PEFC QPA Grade, generally to BS EN 975-1

Species: Oak

Origin: France

Moisture content on delivery: 60% - 80%

Finish: Sadolin Classic wood preservative,
solvent based, matt

Colour: Light Oak

Metal: Aluminium

Grade: 1050

Thickness: 3mm

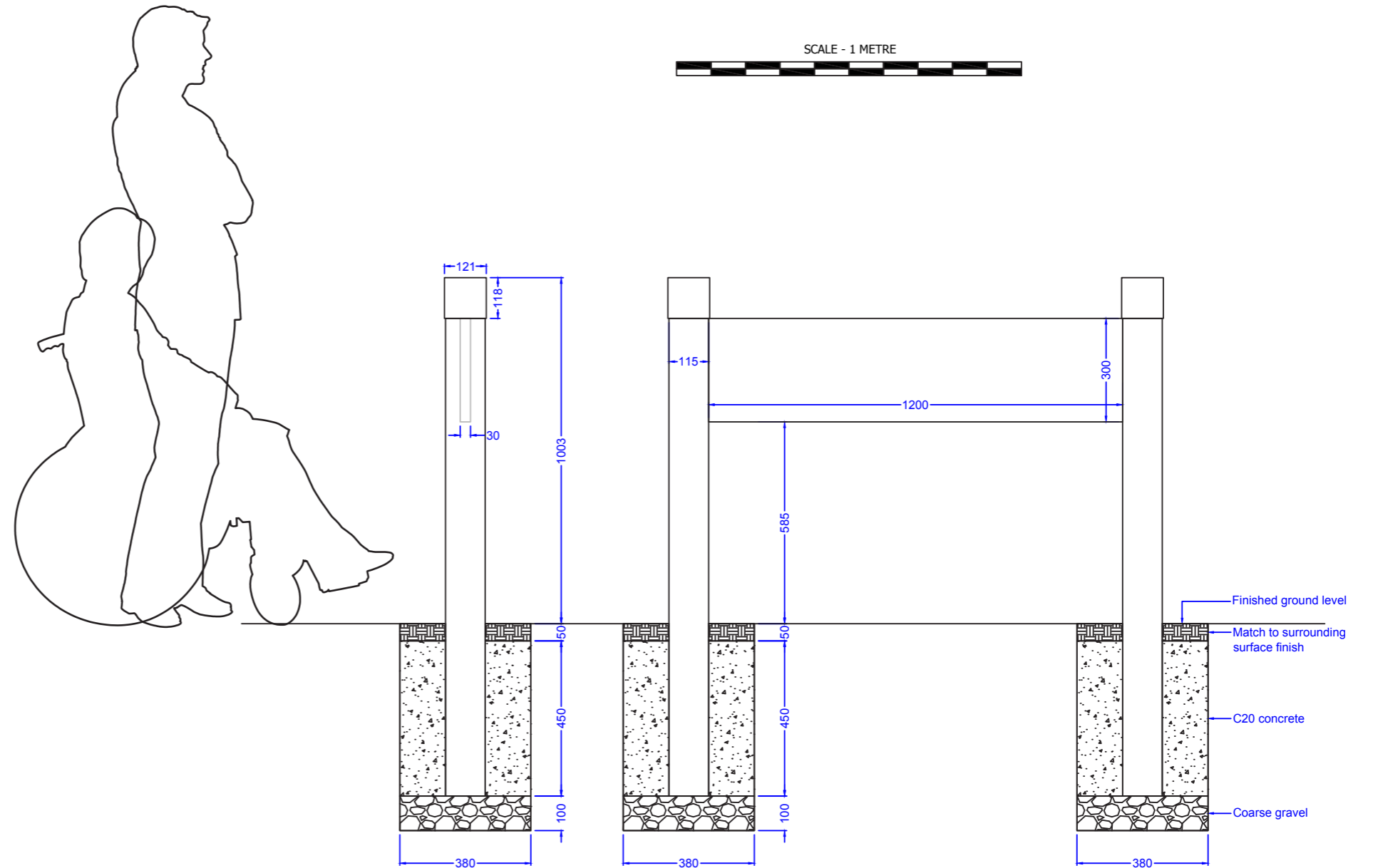
Finish: Powdercoat to BS EN 12206:2021 Part 1

Colour: RAL 9005 Black and Corten effect caps

Weight: 52kg

Installation: Posts extend 500mm below
ground level

Guarantee: One year manufacturer's warranty



Note: All dimensions are indicative only. Footing details are subject to soil conditions and structural engineers recommendations.

Specification applies to the standard product. Our range of options usually allow us to accommodate any differences you may require. Please contact us and we will be happy to support you in developing this specification to meet your requirements.

Option delete/ update as appropriate

Manufacturer: Fitzpatrick Woolmer,
Unit 7 Lakeside Park, Neptune Close,
Rochester, Kent, ME2 4LT.

Tel: 01634 711 771

Email: info@fwdp.co.uk

Timber: PEFC QPA Grade, generally to BS EN 975-1

Species: Oak

Origin: France

Moisture content on delivery: 60% - 80%

Finish: Sadolin Classic wood preservative,
solvent based, matt

Colour: Light Oak

Metal: Aluminium

Grade: 1050

Thickness: 3mm

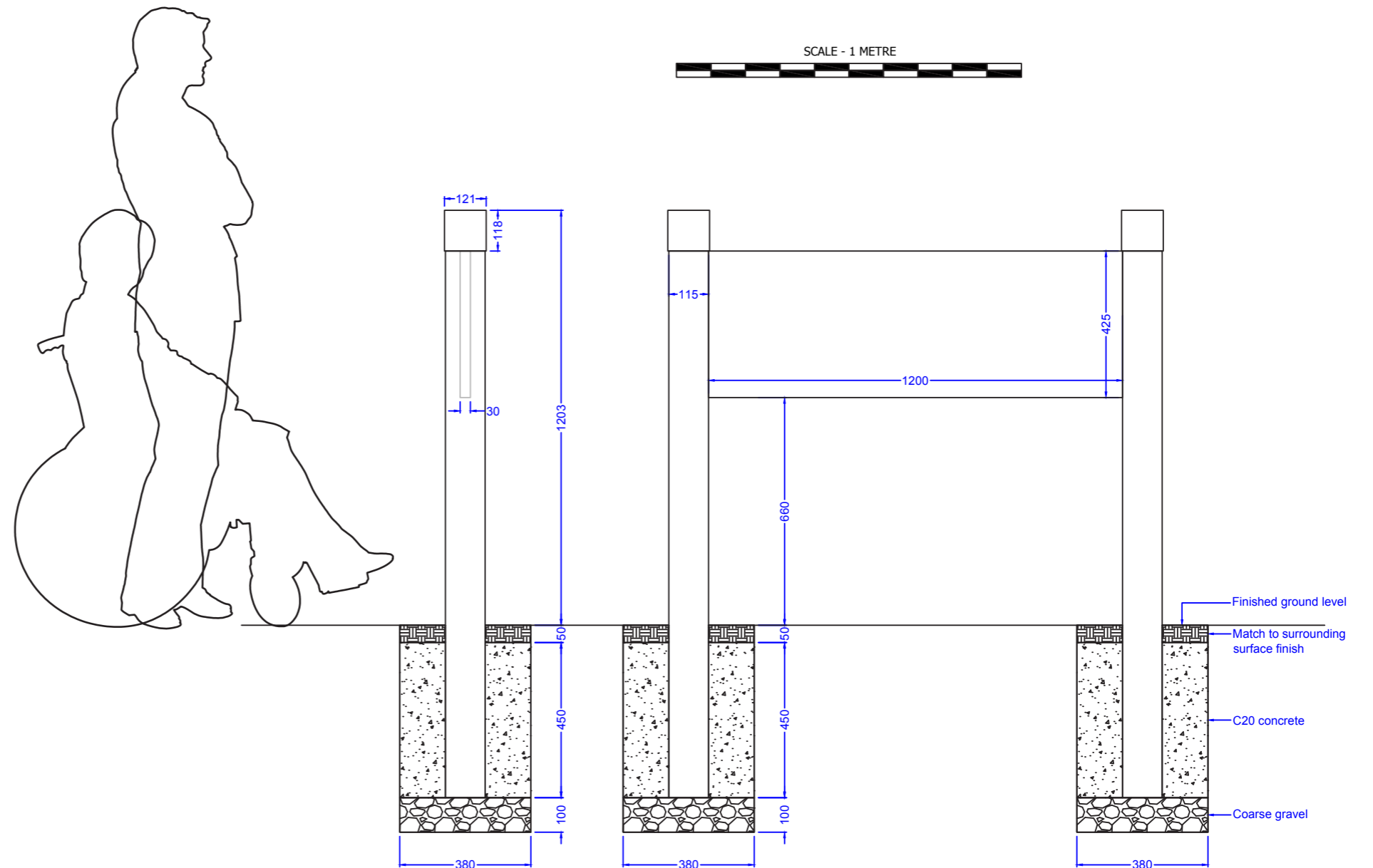
Finish: Powdercoat to BS EN 12206:2021 Part 1

Colour: RAL 9005 Black and Corten effect caps

Weight: 60kg

Installation: Posts extend 500mm below
ground level

Guarantee: One year manufacturer's warranty



Note: All dimensions are indicative only. Footing details are subject to soil conditions and structural engineers recommendations.

Specification applies to the standard product. Our range of options usually allow us to accommodate any differences you may require. Please contact us and we will be happy to support you in developing this specification to meet your requirements.

Option delete/ update as appropriate

Manufacturer: Fitzpatrick Woolmer,
Unit 7 Lakeside Park, Neptune Close,
Rochester, Kent, ME2 4LT.

Tel: 01634 711 771

Email: info@fwdp.co.uk

Timber: PEFC QPA Grade, generally to BS EN 975-1

Species: Oak

Origin: France

Moisture content on delivery: 60% - 80%

Finish: Sadolin Classic wood preservative,
solvent based, matt

Colour: Light Oak

Metal: Aluminium

Grade: 1050

Thickness: 3mm

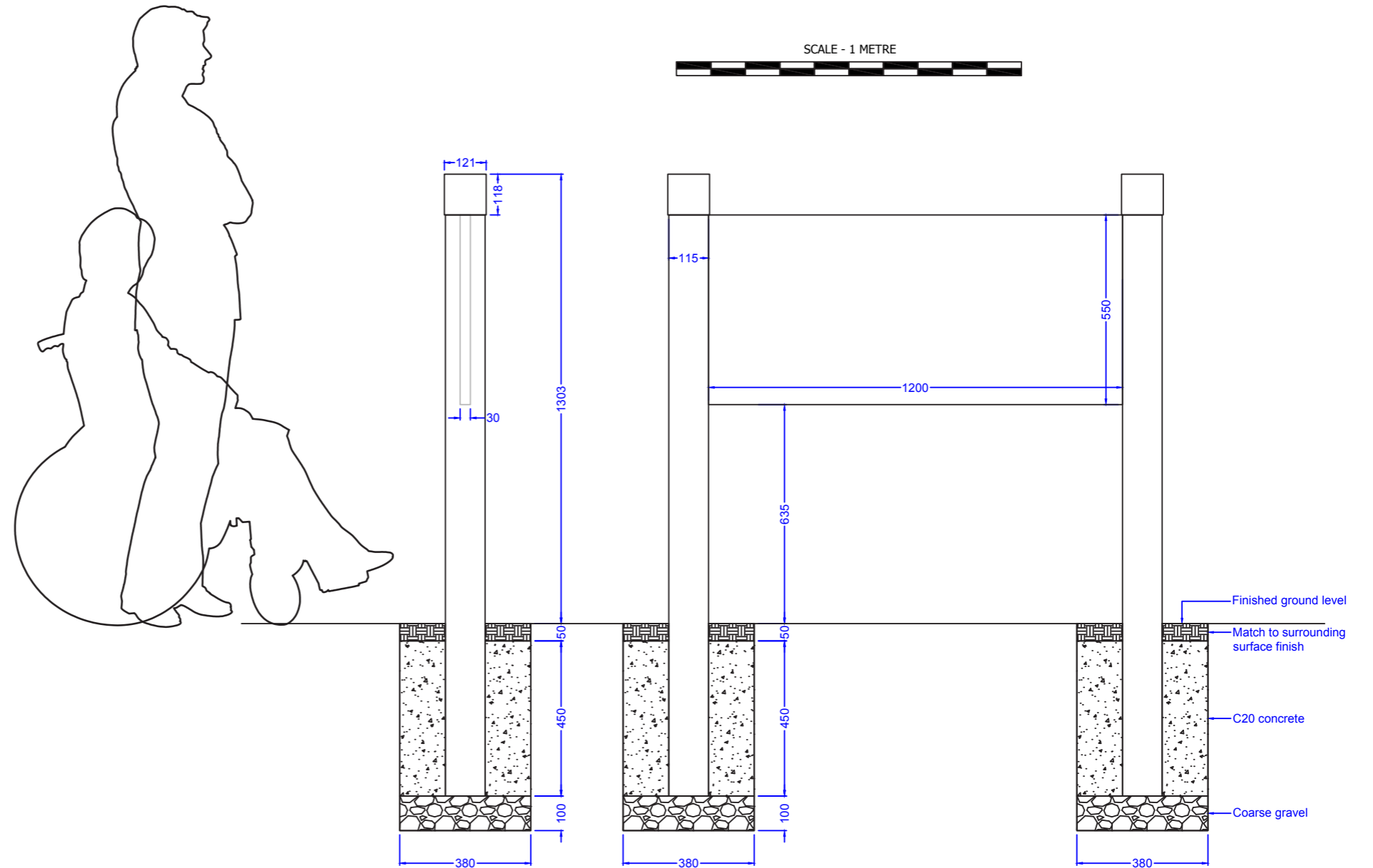
Finish: Powdercoat to BS EN 12206:2021 Part 1

Colour: RAL 9005 Black and Corten effect caps

Weight: 64kg

Installation: Posts extend 500mm below
ground level

Guarantee: One year manufacturer's warranty



Note: All dimensions are indicative only. Footing details are subject to soil conditions and structural engineers recommendations.

Specification applies to the standard product. Our range of options usually allow us to accommodate any differences you may require. Please contact us and we will be happy to support you in developing this specification to meet your requirements.

Option delete/ update as appropriate

Manufacturer: Fitzpatrick Woolmer,
Unit 7 Lakeside Park, Neptune Close,
Rochester, Kent, ME2 4LT.

Tel: 01634 711 771

Email: info@fwdp.co.uk

Timber: PEFC QPA Grade, generally to BS EN 975-1

Species: Oak

Origin: France

Moisture content on delivery: 60% - 80%

Finish: Sadolin Classic wood preservative,
solvent based, matt

Colour: Light Oak

Metal: Aluminium

Grade: 1050

Thickness: 3mm

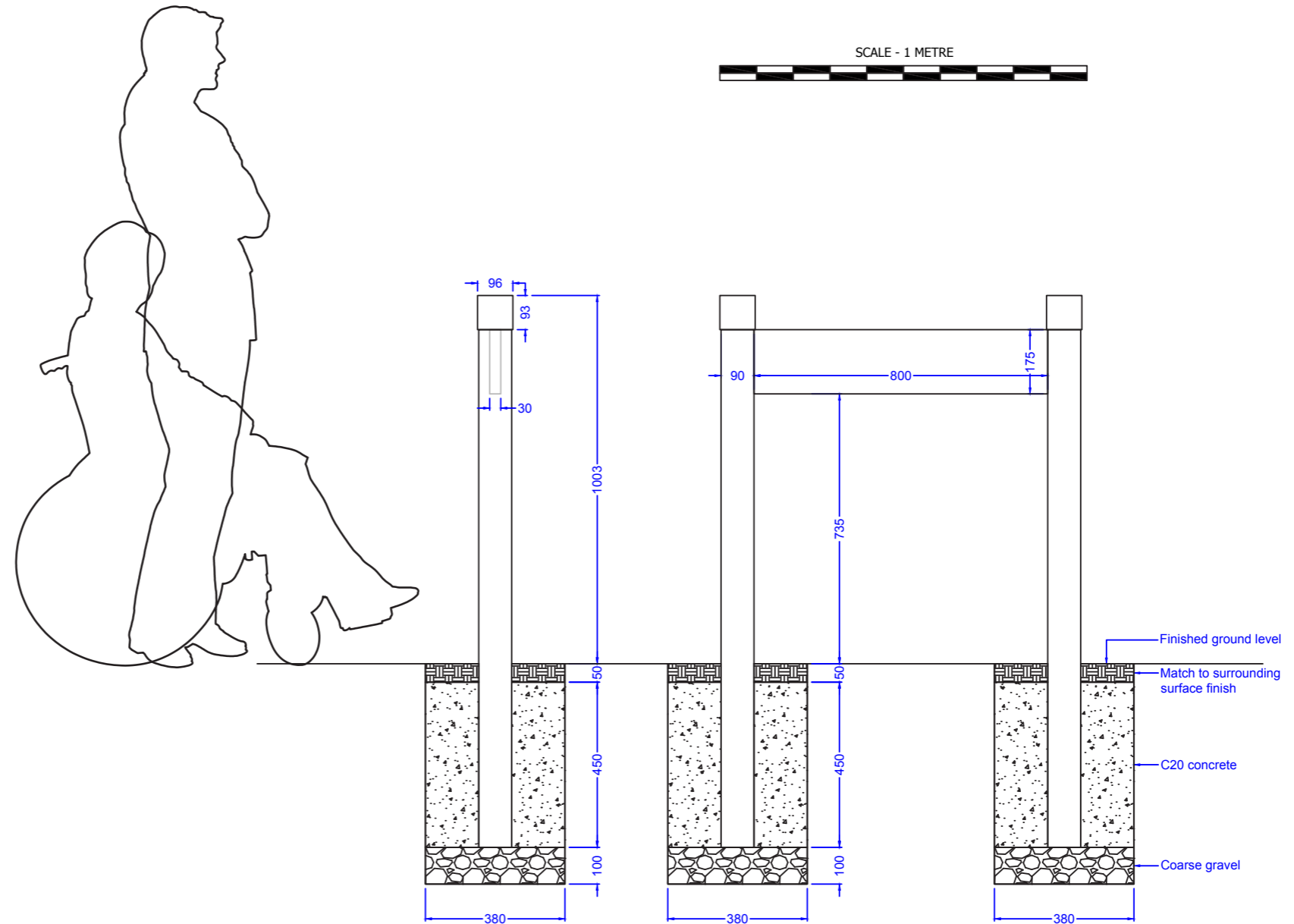
Finish: Powdercoat to BS EN 12206:2021 Part 1

Colour: RAL 9005 Black and Corten effect caps

Weight: 32kg

Installation: Posts extend 500mm below
ground level

Guarantee: One year manufacturer's warranty



Note: All dimensions are indicative only. Footing details are subject to soil conditions and structural engineers recommendations.

Specification applies to the standard product. Our range of options usually allow us to accommodate any differences you may require. Please contact us and we will be happy to support you in developing this specification to meet your requirements.

Option delete/ update as appropriate

Manufacturer: Fitzpatrick Woolmer,
Unit 7 Lakeside Park, Neptune Close,
Rochester, Kent, ME2 4LT.

Tel: 01634 711 771

Email: info@fwdp.co.uk

Timber: PEFC QPA Grade, generally to BS EN 975-1

Species: Oak

Origin: France

Moisture content on delivery: 60% - 80%

Finish: Sadolin Classic wood preservative,
solvent based, matt

Colour: Light Oak

Metal: Aluminium

Grade: 1050

Thickness: 3mm

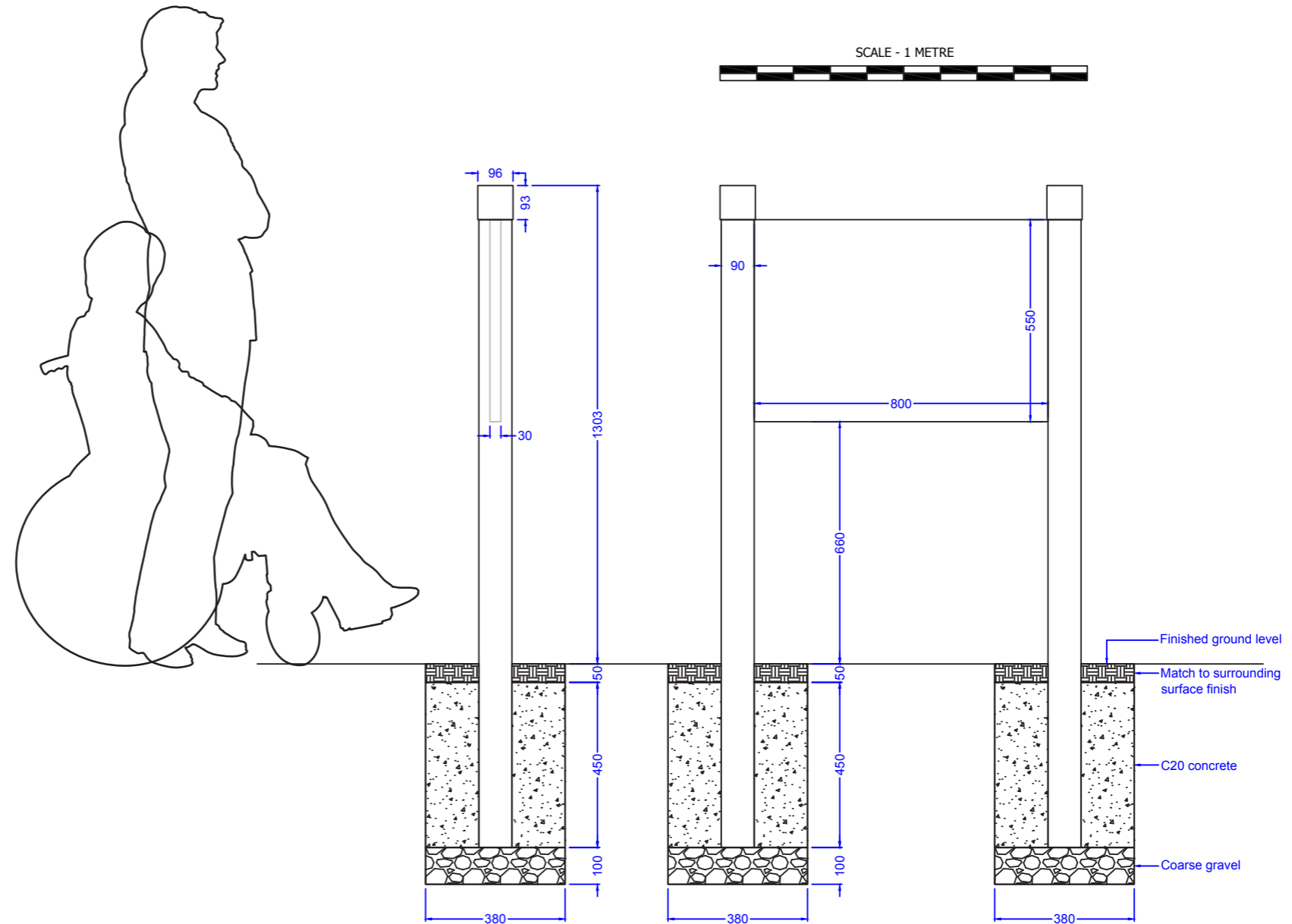
Finish: Powdercoat to BS EN 12206:2021 Part 1

Colour: RAL 9005 Black and Corten effect caps

Weight: 40kg

Installation: Posts extend 500mm below
ground level

Guarantee: One year manufacturer's warranty



Note: All dimensions are indicative only. Footing details are subject to soil conditions and structural engineers recommendations.