



Enigma™ monolith

Our stainless steel **Enigma™** monoliths offer a sleek, minimalist design that seamlessly blends into any environment. Available in three sizes, they provide a modern solution for displaying clear, easy-to-read maps, engaging facts, and wayfinding information.

Their durable, high-quality stainless steel construction ensures longevity, while their simple aesthetic enhances any space. Perfect for public spaces, they deliver essential information efficiently while adding a contemporary touch to the surroundings.

Product features

- * Stainless steel construction
- * Single or double sided
- * Tamper resistant fixings
- * Removable graphic panel
- * Powdercoat finish to standard colour
- * Standard sizes 2.1m high, 1.6m high and 1.2m high
- * 1 year manufacturer's warranty

Fitzpatrick Woolmer Design & Publishing Limited

Unit 7 Lakeside Park, Neptune Close, Rochester, Kent, ME2 4LT
 t: 01634 711 771 e: info@fwdp.co.uk w: fwdp.co.uk



By Appointment to His Majesty The King
 Manufacturer of Signs and Wayfinding
 Fitzpatrick Woolmer Design & Publishing Ltd, Kent

Specification applies to the standard product. Our range of options usually allow us to accommodate any differences you may require. Please contact us and we will be happy to support you in developing this specification to meet your requirements.

Option delete/ update as appropriate

Manufacturer: Fitzpatrick Woolmer,
Unit 7 Lakeside Park, Neptune Close,
Rochester, Kent, ME2 4LT.

Tel: 01634 711 771

Email: info@fwdp.co.uk

Material: Stainless steel

Grade: 304

Metal: Aluminium

Grade: 1050

Finish: Powdercoat to BS EN 12206:2021 Part 1

Colour: RAL 9005 Black

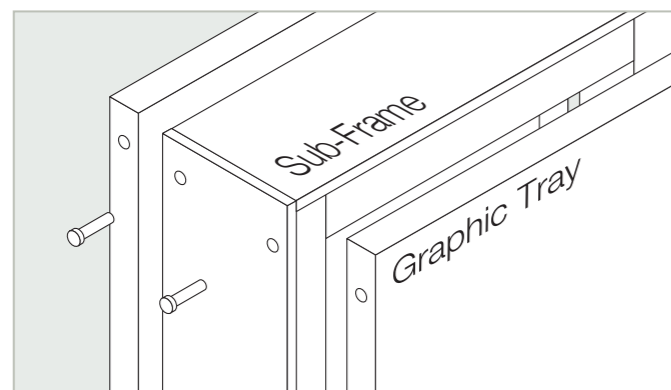
Fixings: Stainless steel

Type: Security

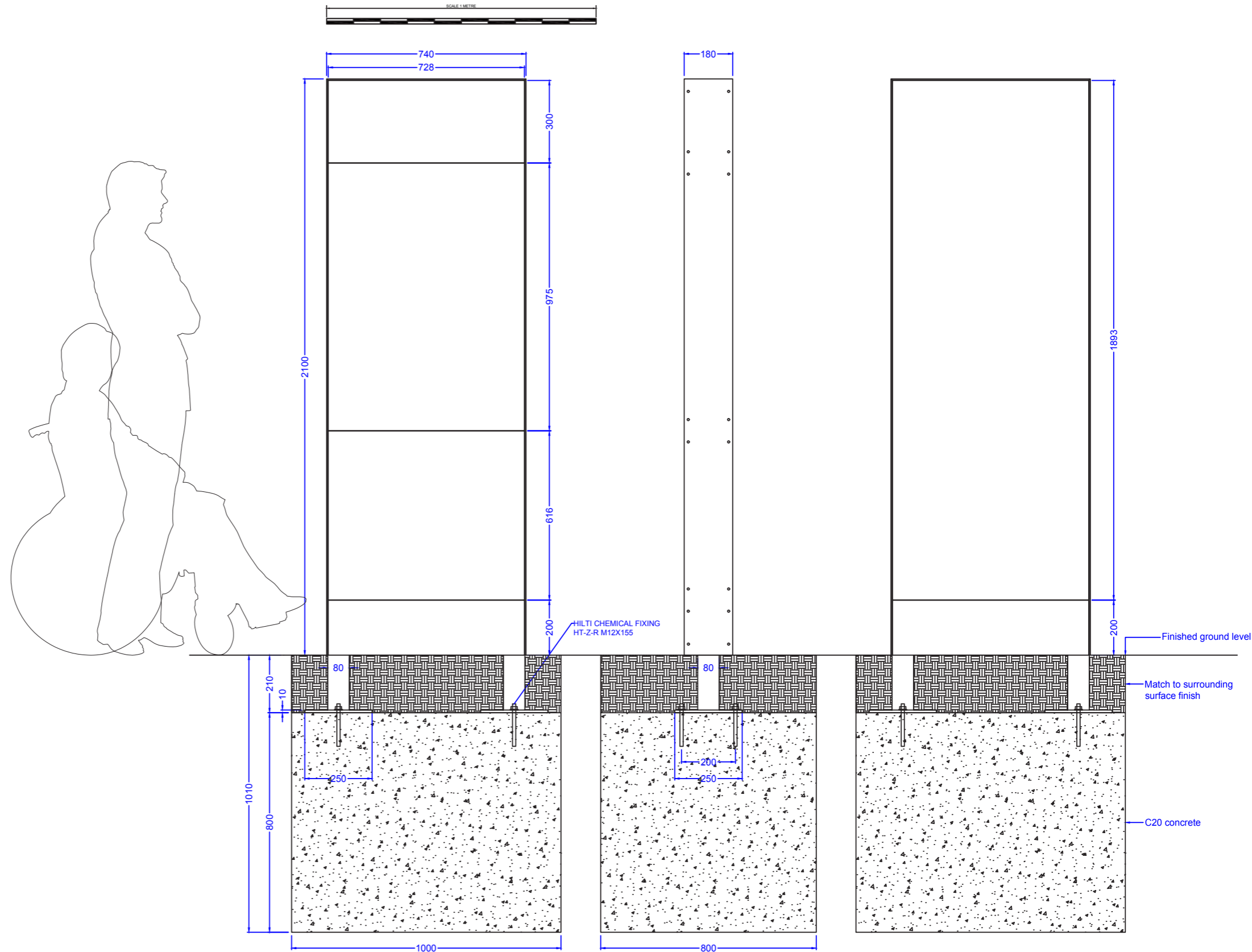
Weight: 105kg

Installation: Posts extend 200mm below ground level

Guarantee: One year manufacturer's warranty



Standard assembly



Note: All dimensions are indicative only. Footing details are subject to soil conditions and structural engineers recommendations.

Specification applies to the standard product. Our range of options usually allow us to accommodate any differences you may require. Please contact us and we will be happy to support you in developing this specification to meet your requirements.

Option delete/ update as appropriate

Manufacturer: Fitzpatrick Woolmer,
Unit 7 Lakeside Park, Neptune Close,
Rochester, Kent, ME2 4LT.

Tel: 01634 711 771

Email: info@fwdp.co.uk

Material: Stainless steel

Grade: 304

Metal: Aluminium

Grade: 1050

Finish: Powdercoat to BS EN 12206:2021 Part 1

Colour: RAL 9005 Black

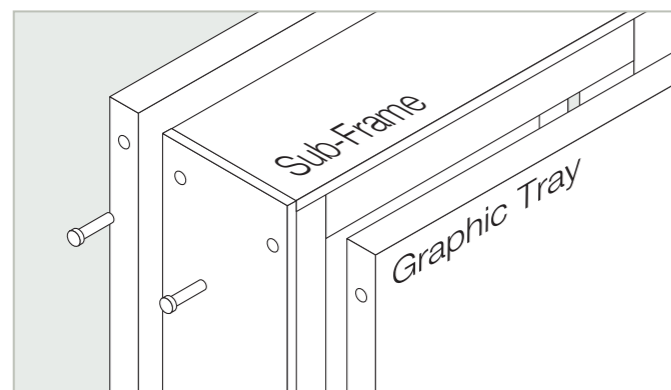
Fixings: Stainless steel

Type: Security

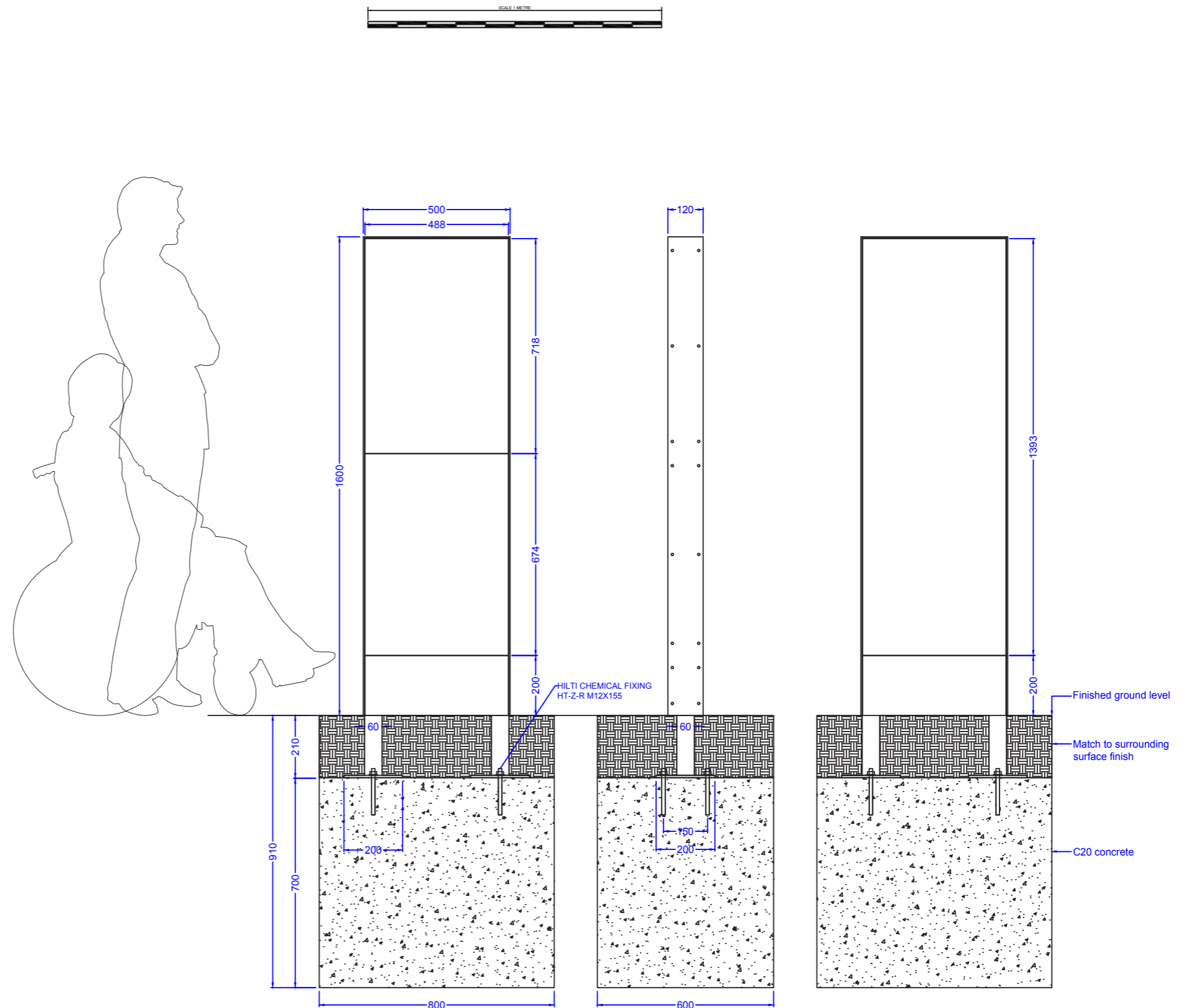
Weight: 55kg

Installation: Posts extend 200mm below ground level

Guarantee: One year manufacturer's warranty



Standard assembly



Note: All dimensions are indicative only. Footing details are subject to soil conditions and structural engineers recommendations.

Specification applies to the standard product. Our range of options usually allow us to accommodate any differences you may require. Please contact us and we will be happy to support you in developing this specification to meet your requirements.

Option delete/ update as appropriate

Manufacturer: Fitzpatrick Woolmer,
Unit 7 Lakeside Park, Neptune Close,
Rochester, Kent, ME2 4LT.

Tel: 01634 711 771

Email: info@fwdp.co.uk

Material: Stainless steel

Grade: 304

Metal: Aluminium

Grade: 1050

Finish: Powdercoat to BS EN 12206:2021 Part 1

Colour: RAL 9005 Black

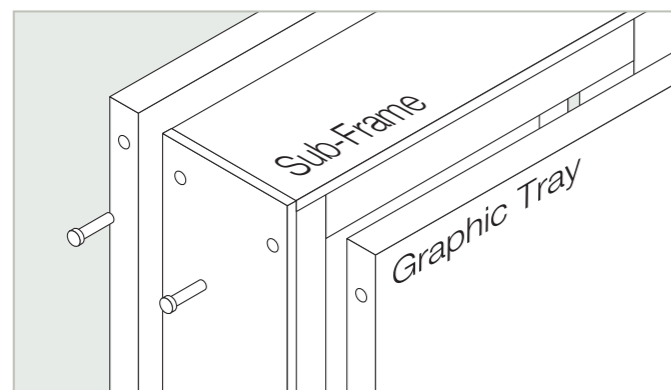
Fixings: Stainless steel

Type: Security

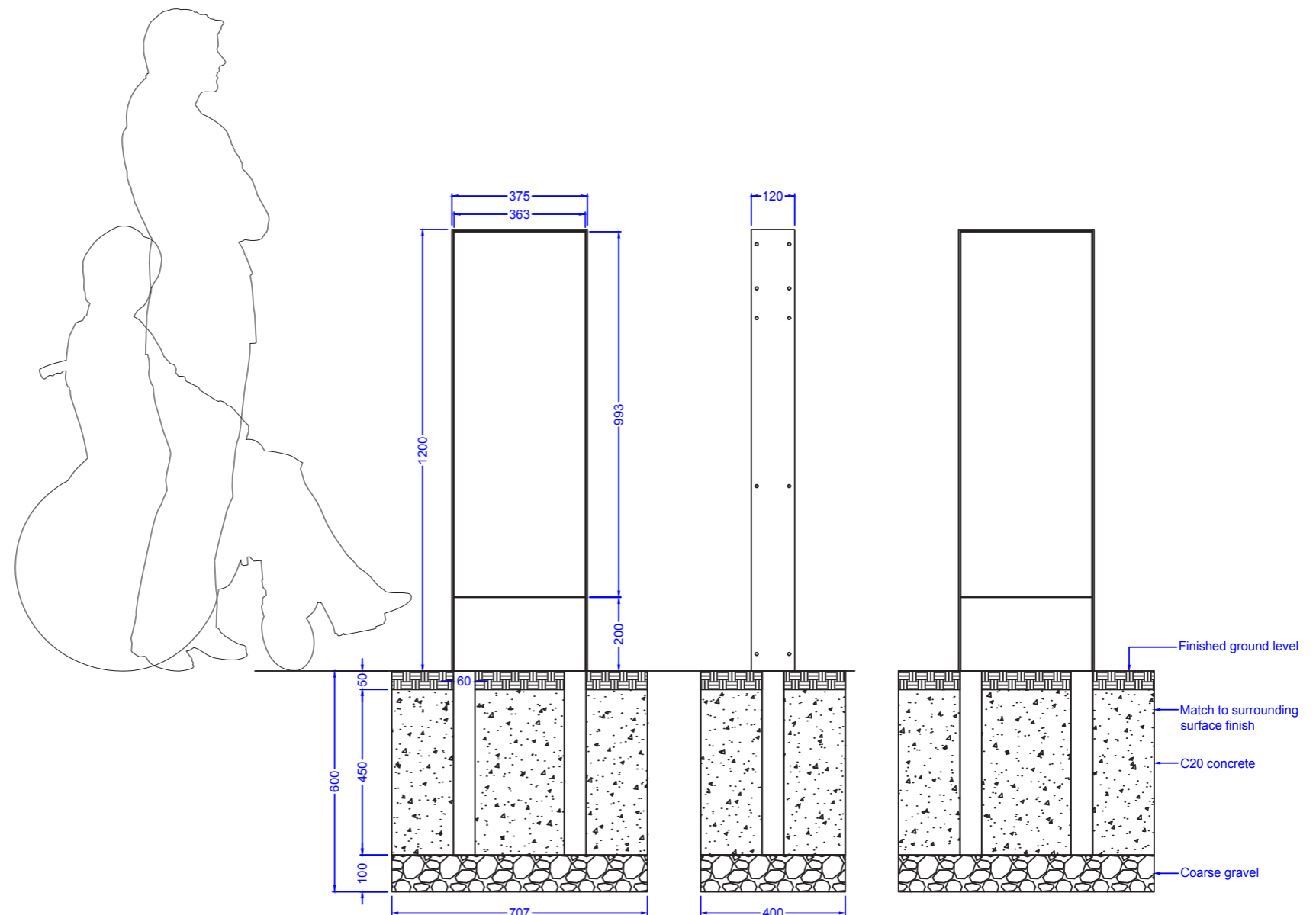
Weight: 38kg

Installation: Posts extend 200mm below ground level

Guarantee: One year manufacturer's warranty



Standard assembly



Note: All dimensions are indicative only. Footing details are subject to soil conditions and structural engineers recommendations.