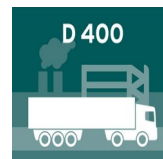
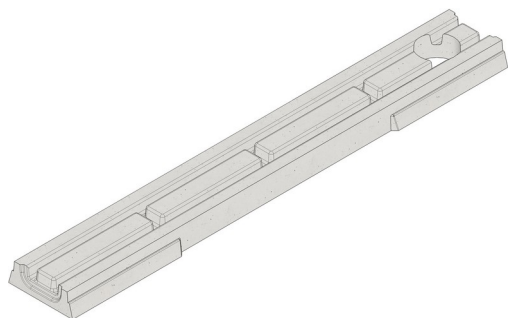


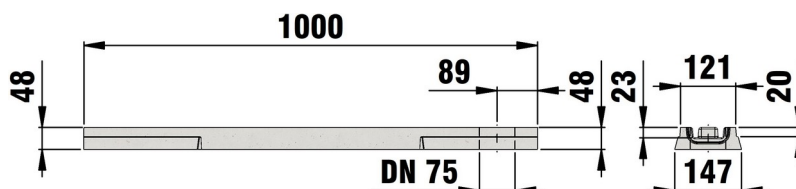
FASERFIX®PARK



FASERFIX®PARK, class D 400, Channel, with opening DN/OD 75, 1.0 m



D 400



■ Technical data:

Length mm	Width mm	Height mm	Weight kg	Inlaying depth	Internal channel cross-sect. cm ²	Item-no.
1000	147	48	12.36	0	0.0	10582

■ Product description:

FASERFIX PARK Channel made of fibre-reinforced concrete, load class A 15 - D 400 according to EN 1433, with connection opening DN/OD 75 vertical at the end of channel run in channel base, CE compliant, with sealing groove LxWxH 1000x147x48 mm, item no. 10582

■ Material:

- **Channel body:** fibre-reinforced concrete
- **Angle housing:**

■ Type acc. DIN EN 1433:

M

■ Set of rules:

■ Application areas:

- Underground parking

The optimal use of the product in the aforementioned applications depends on various factors (positioning, traffic load and frequency,...). Our experts will be happy to advise you!