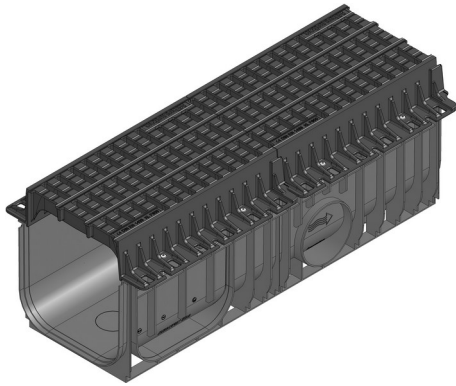
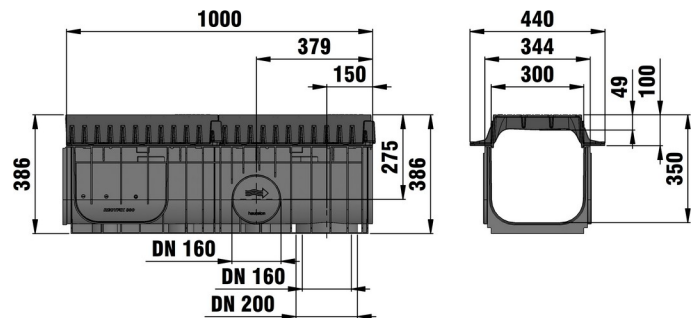


RECYFIX®MONOTEC ULTRA 300

RECYFIX®MONOTEC ULTRA 300, up to load class F 900, Type 01, with permanently integrated ductile iron grating 3x SW 75/18 mm, black, 1.0 m



F 900



■ Technical data:

Length mm	Width mm	Height mm	Weight kg	Inlet cross-section cm ² /m	Internal channel cross-sect. cm ²	Item-no.
1000	440	386	56.64	941.0	858.0	10380

■ Product description:

RECYFIX MONOTEC ULTRA 300 type 01 - Monolithic channel, consists of channel body made of recycled polypropylene and permanently integrated ductile iron grating made of spheroidal ductile iron EN-GJS-500-7, 3x SW 75/18 mm, black, according to EN 1433, with lateral (DN/OD 160) and vertical (DN/OD 160/200) connection possibility, load class A 15 - F 900 according to EN 1433, LxWxH 1000x440x386 mm, item no. 10380

■ Material:

- **Material:** Ductile iron GJS 500-7
- **Material:** recycled polypropylene

■ Application areas:

- Container terminals and ports
- Industrial yards and commercial halls
- Logistic centers

The optimal use of the product in the aforementioned applications depends on various factors (positioning, traffic load and frequency,...). Our experts will be happy to advise you!