



3-98



3



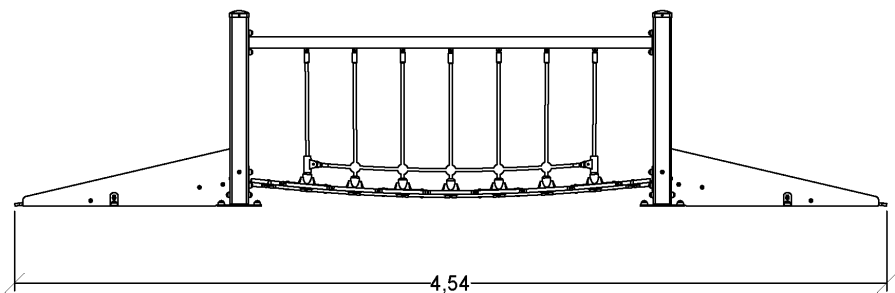
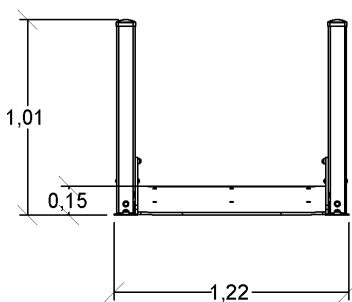
0,6m



1 = 4,54m
2 = 1,2m
3 = 1,01m



Physical inclusion
Sensory inclusion
Cognitive inclusion



Play value :

4

balancing



getting across



walking





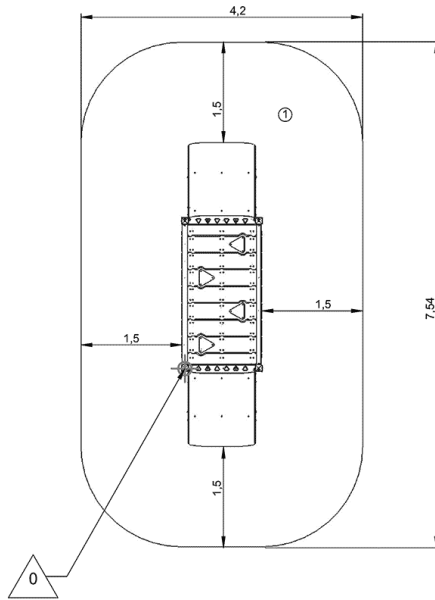
running





Installation of equipment

IMPORTANT: It is essential to refer to the installation instructions for information on the size of the safety areas.

-  Impact area (minimum normative surface)
-  Free space



		
1	<0,6m	30m ²



2



01h00



0.22m³



30m²



183kg



60kg

EN
1176

Environmental Indicators

Repairability



9,17 /10

Carbon footprint



3,80 KgCO₂/Kg

Recyclable materials



46,16%

ECO materials: 61%

Recycled materials

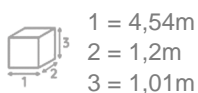


40,57%

Bio-sourced materials



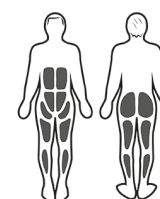
21,03%



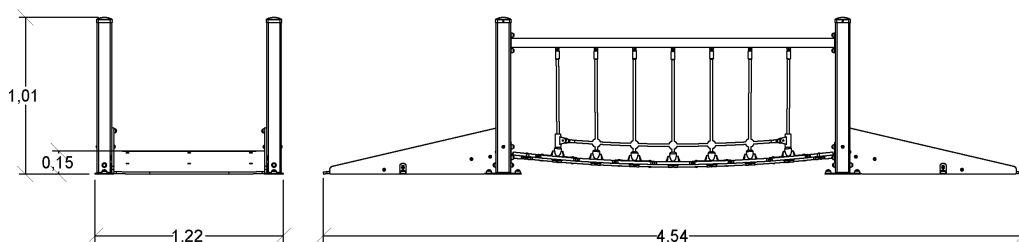
Physical inclusion



Sports formula



Muscular stimulation



► **Sports activities : 4**

balancing getting across walking running



► **Recreational sport motivations : 5**



ACTIFUN app



Sensations



Sharing



Diversity



Challenge

muscle strengthening

heart health

balance

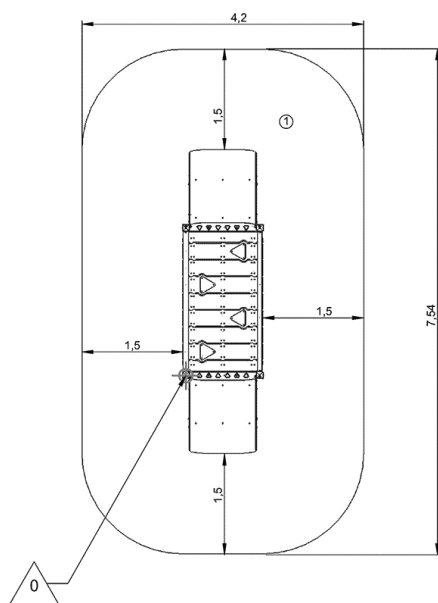
coordination

Installation of equipment

IMPORTANT: It is essential to refer to the installation instructions for information on the size of the safety areas.

Impact area (minimum normative surface)

Free space



1	<0,6m	30m²



2



01h00



0.22m³



30m²



183kg



60kg



Environmental Indicators

Repairability



9,17 /10

Carbon footprint



3,80 KgCO₂/Kg

Recyclable materials



46,16%

ECO materials: 61%

Recycled materials



40,57%

Bio-sourced materials



21,03%