



6-98



2



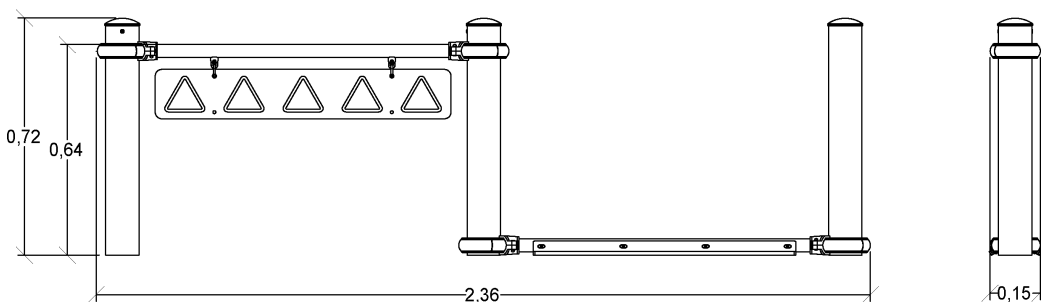
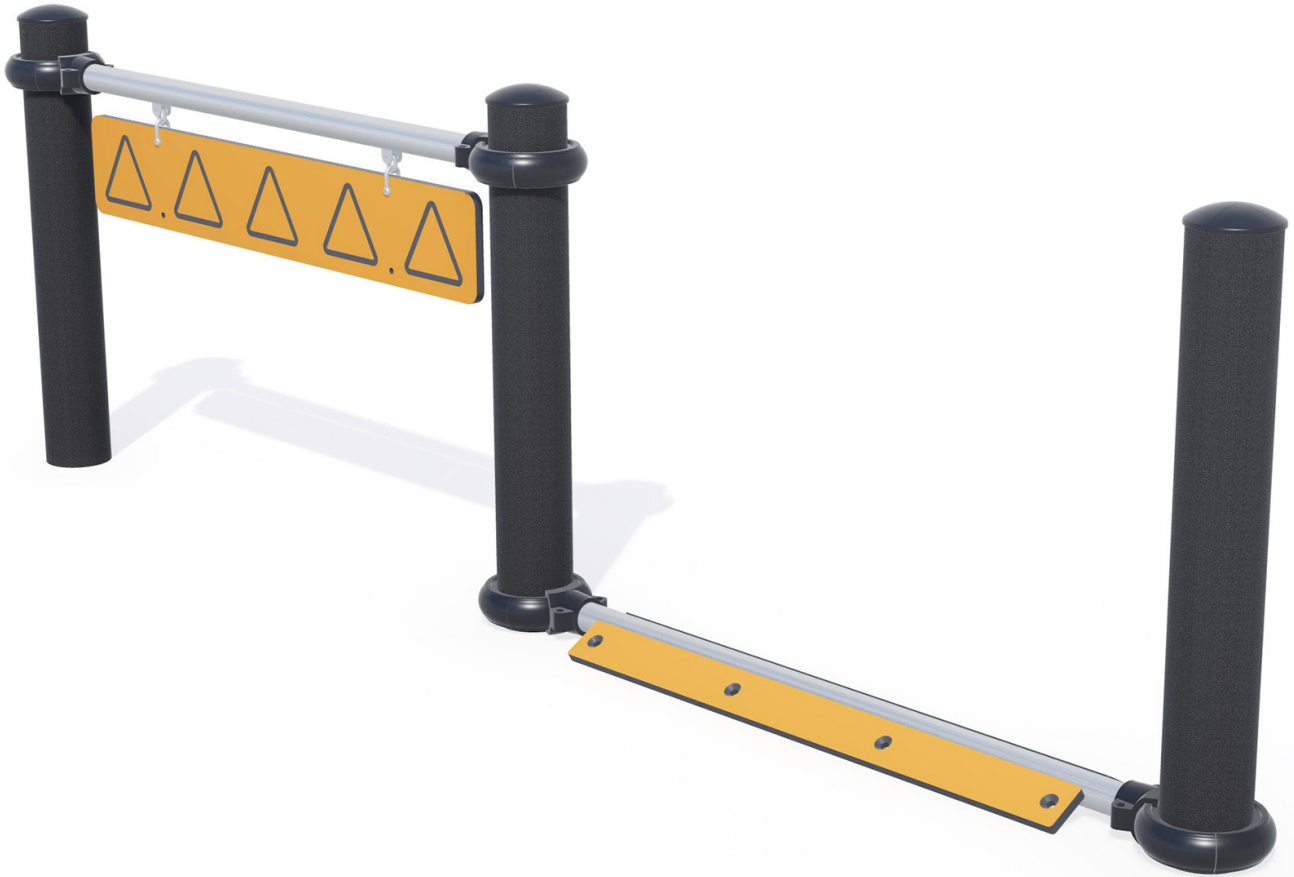
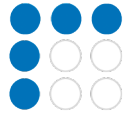
0,6m



1 = 2,35m
2 = 0,15m
3 = 0,72m



Physical inclusion
Sensory inclusion
Cognitive inclusion



Play value :

4

crawling



getting across



jumping





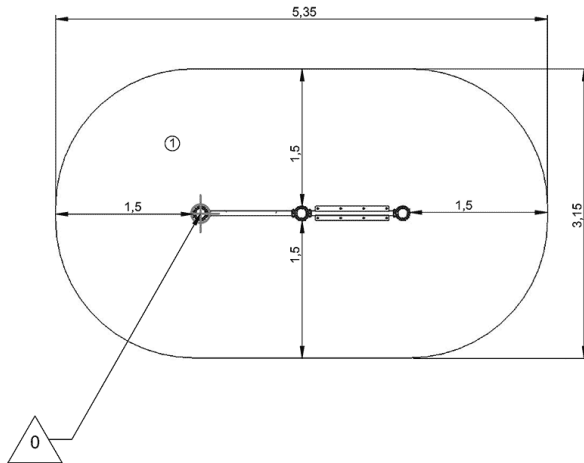
running





Installation of equipment

IMPORTANT: It is essential to refer to the installation instructions for information on the size of the safety areas.

-  Impact area (minimum normative surface)
-  Free space



		
1	<0,6m	15m ²



2



01h00



0.09m³



15m²



42kg



9kg

EN
1176

Environmental Indicators

Repairability



9,17 /10

Carbon footprint



3,87 KgCO₂/Kg

Recyclable materials



90,87%

ECO materials: 31%

Recycled materials



31,15%

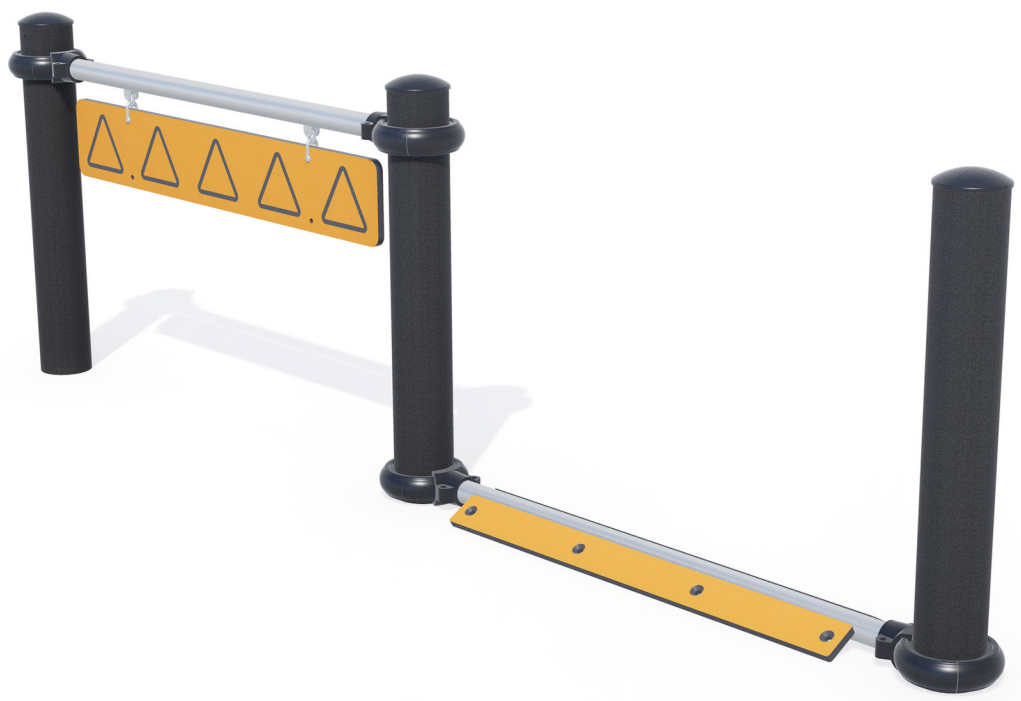
Bio-sourced materials



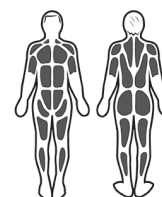
0,92%



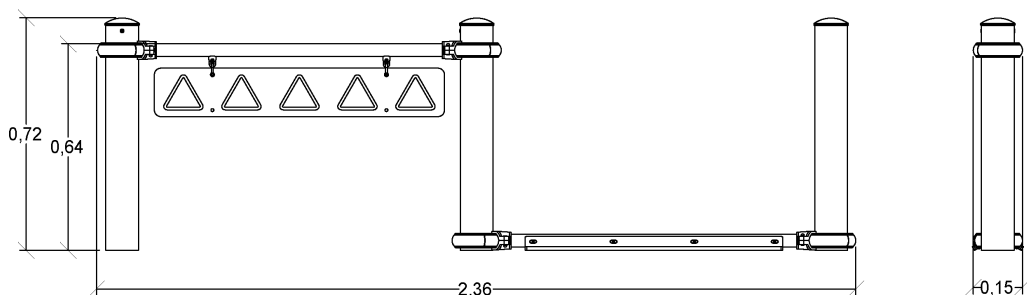
Physical inclusion



Sports formula



Muscular stimulation

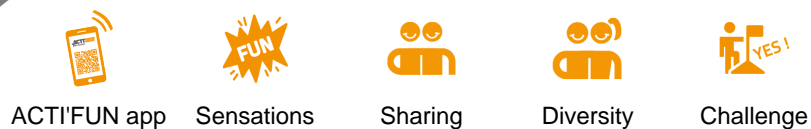


► **Sports activities : 4**

crawling getting across jumping running



► **Recreational sport motivations : 5**



muscle strengthening

heart health

balance

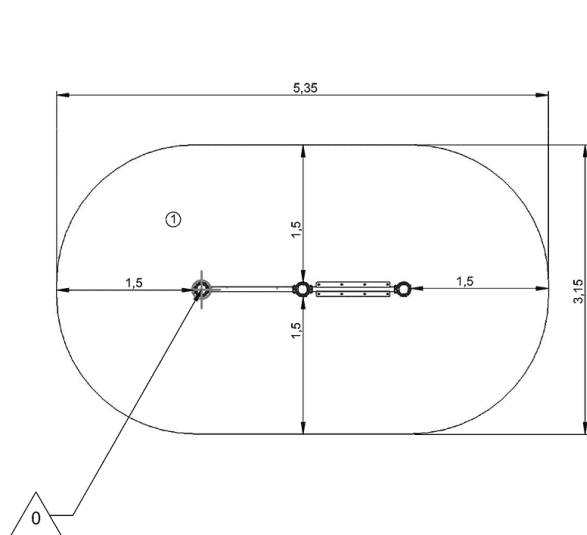
coordination

Installation of equipment

IMPORTANT: It is essential to refer to the installation instructions for information on the size of the safety areas.

Impact area (minimum normative surface)

Free space



1	<0,6m	15m ²



2



01h00



0.09m³



15m²



42kg



9kg



Environmental Indicators

Repairability



9,17 /10

Carbon footprint



3,87 KgCO₂/Kg

Recyclable materials



90,87%

ECO materials: 31%

Recycled materials



31,15%

Bio-sourced materials



0,92%