



6-98



2



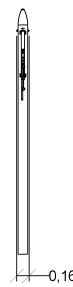
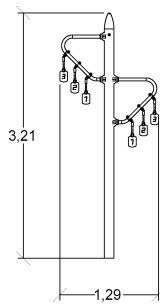
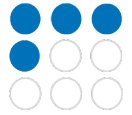
0,6m



1 = 1,29m
2 = 0,12m
3 = 3,21m



Physical inclusion
Sensory inclusion
Cognitive inclusion





Play value : 6

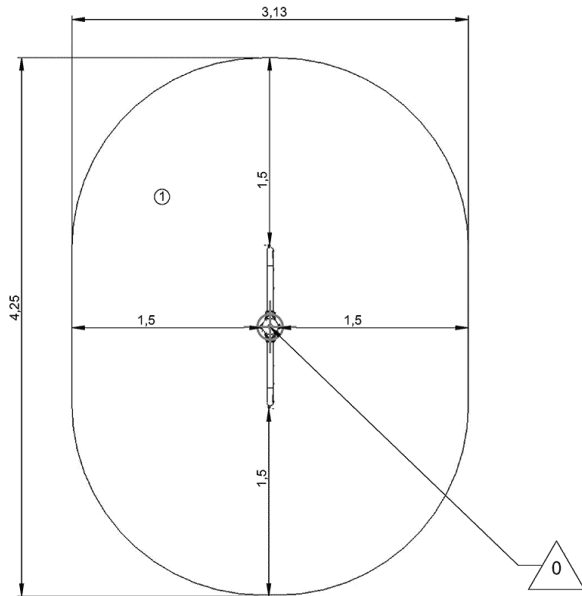
jumping





Installation of equipment

IMPORTANT: It is essential to refer to the installation instructions for information on the size of the safety areas.

-  Impact area (minimum normative surface)
-  Free space



		
1	<0,6m	11,5m ²



2



01h00



0.05m³



11.5m²



44kg



34kg

EN
1176

Environmental Indicators

Repairability



9,17 /10

Carbon footprint



3,14 KgCO₂/Kg

Recyclable materials



95,94%

ECO materials: 32%

Recycled materials



32,75%

Bio-sourced materials



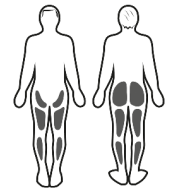
0,82%



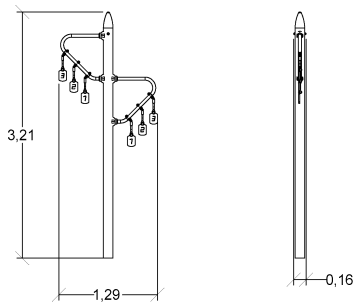
Physical inclusion



Sports formula



Muscular stimulation



► Sports activities : 6

jumping



muscle strengthening

heart health

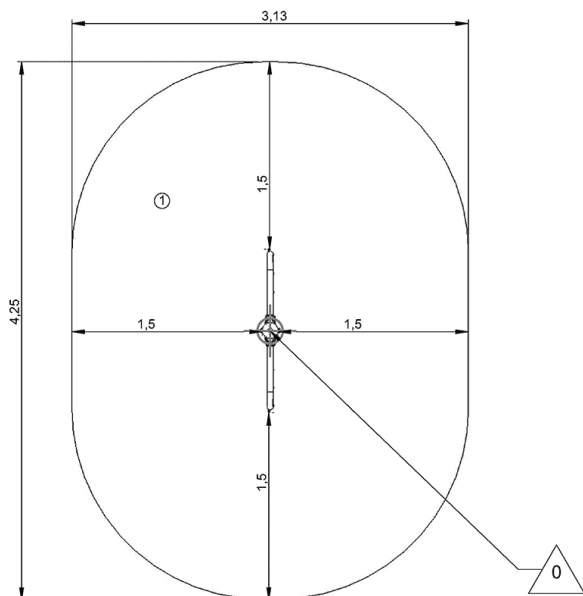
balance

coordination

Installation of equipment

IMPORTANT: It is essential to refer to the installation instructions for information on the size of the safety areas.

- Impact area (minimum normative surface)
- Free space



1	<0,6m
11,5m²	



2



01h00



0.05m³



11.5m²



44kg



34kg



Environmental Indicators

Repairability



9,17 /10

Carbon footprint



3,14 KgCO₂/Kg

Recyclable materials



95,94%

ECO materials: 32%

Recycled materials



32,75%

Bio-sourced materials



0,82%