



6+



50



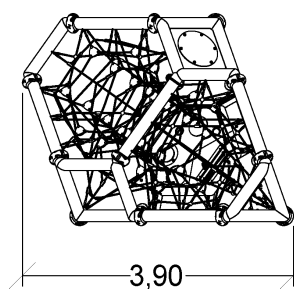
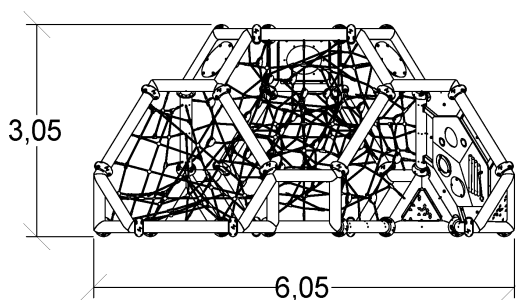
3m



1 = 6,05m
2 = 3,9m
3 = 3,05m



Physical inclusion
Sensory inclusion
Cognitive inclusion



Play value :

29

climbing



x1

role play



x1

meeting



x1

handling



x1

crawling



x9

hiding



x1

tactile stimulation



x2

visual stimulation



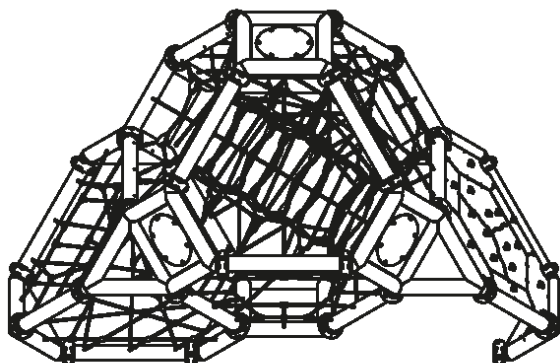
x4

climbing



x9



Components

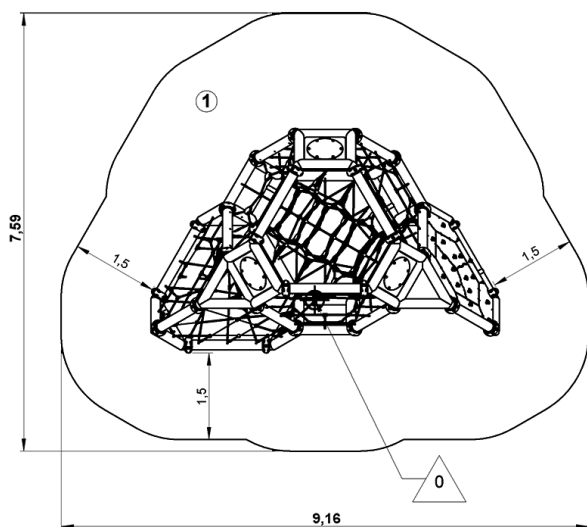




- ① Structure Kairn 6102
- ② Filet ouverture Kairn
- ③ Façade escalade Tetra Kairn
- ④ Filet Tetra Kairn
- ⑤ Panneau PMR Tetra Kairn

Installation of equipment

IMPORTANT: It is essential to refer to the installation instructions for information on the size of the safety areas.

-  Impact area (minimum normative surface)
-  Free space



1	 3m	 54,5m ²
---	--	--



2



0m³



54.5m²



1616kg



114kg



EN
1176

Environmental Indicators

Repairability



/10

Carbon footprint



3,64 KgCO₂/Kg

Recyclable materials



75,00%

ECO materials: 38%

Recycled materials



38,89%

Bio-sourced materials



0,00%