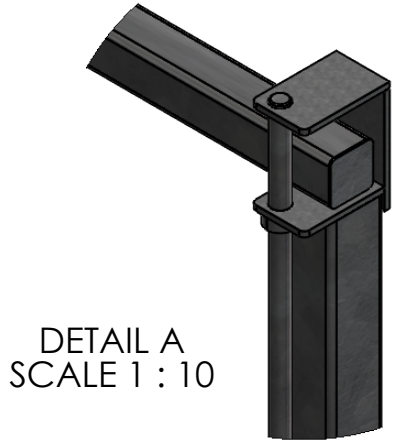


3rd Angle

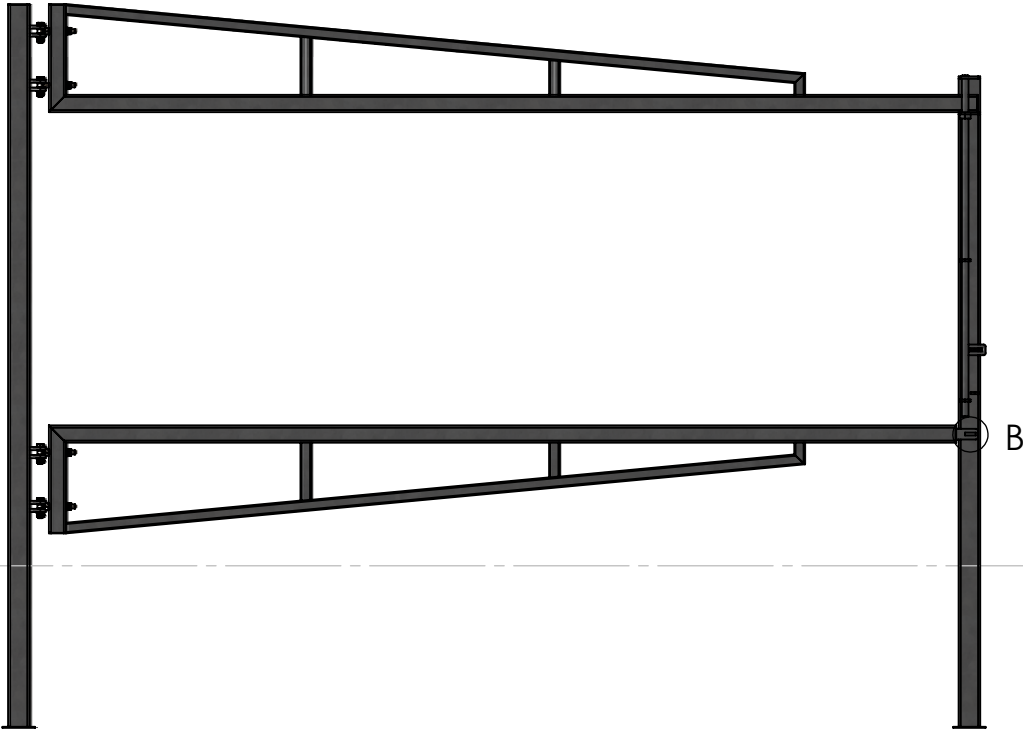
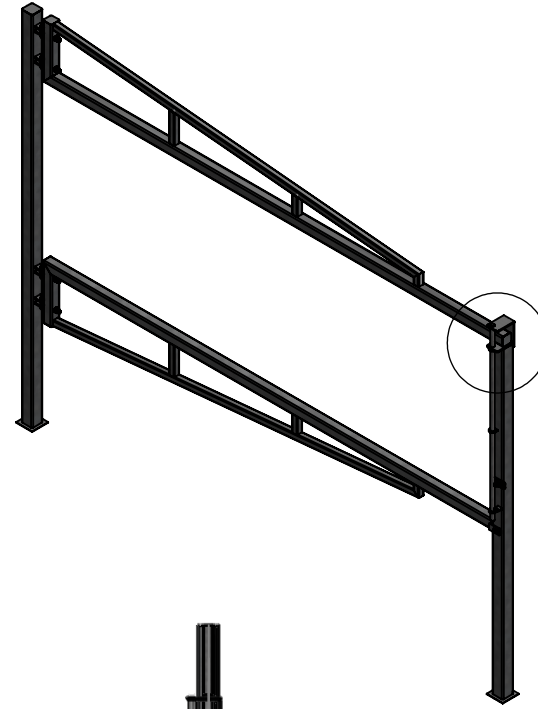
Height Restriction Barrier - Type C



DETAIL A
SCALE 1 : 10

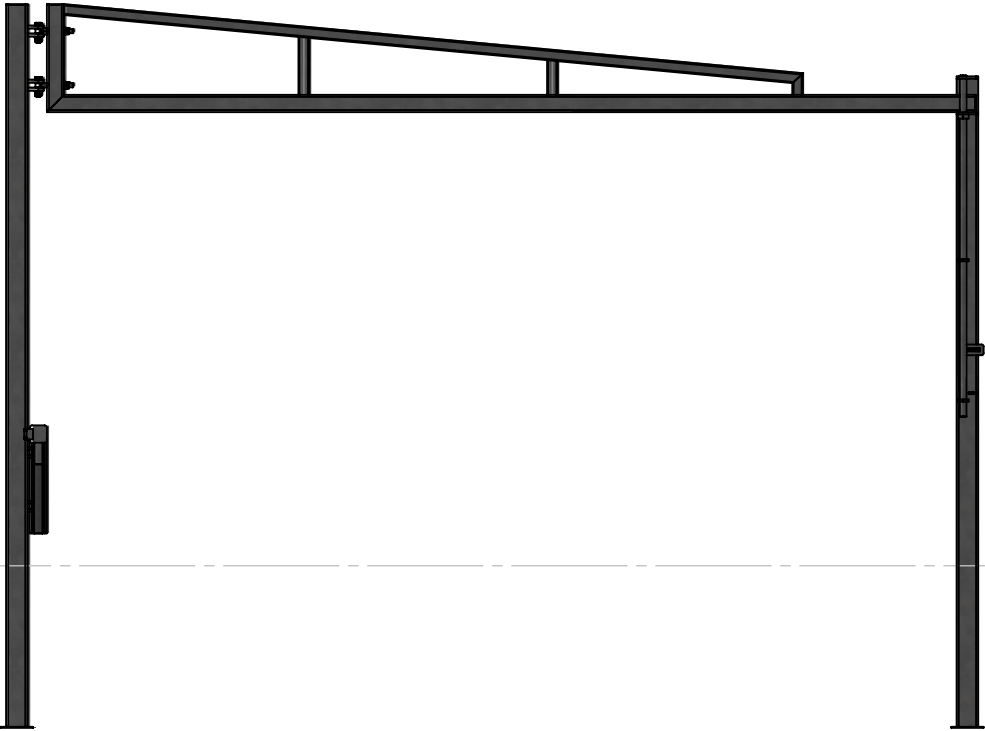


DETAIL B
SCALE 1 : 10



Height Restriction Barrier - Type C

3rd Angle



Height Restriction Barrier - Type C

3rd Angle

