



6+



10



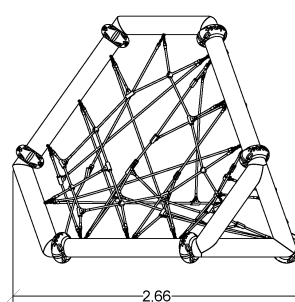
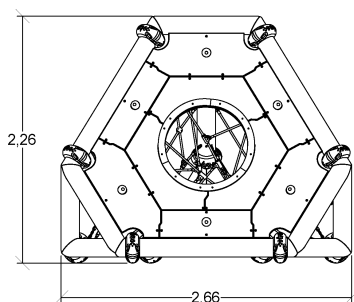
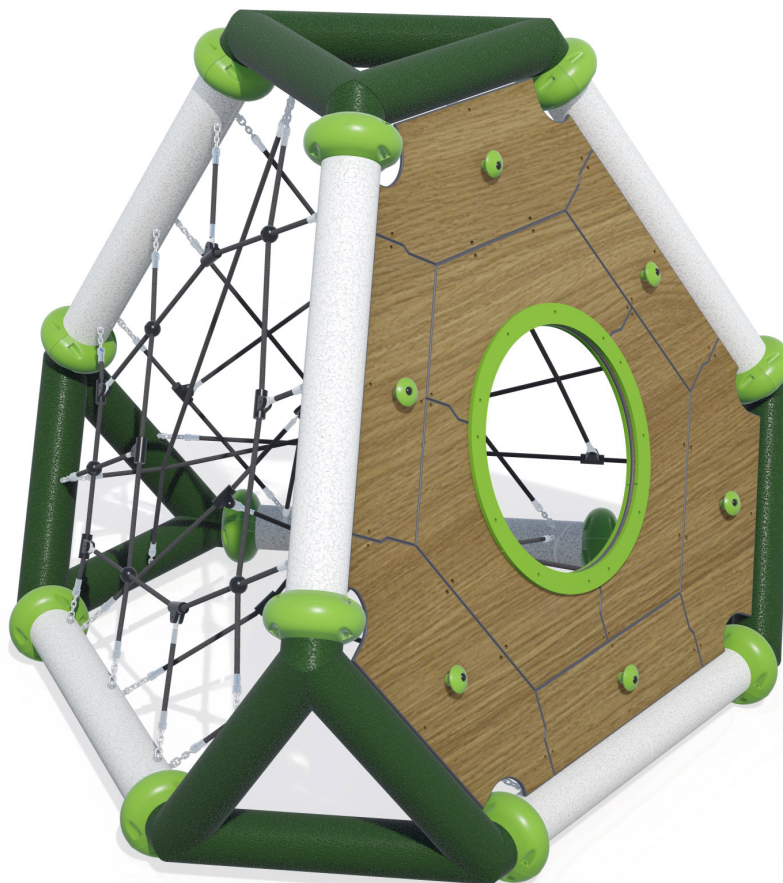
2m



1 = 2,66m  
2 = 2,66m  
3 = 2,26m



Physical inclusion  
Sensory inclusion  
Cognitive inclusion



Play value :

11

climbing



x1

role play



x1

meeting



x1

crawling



x3

hiding



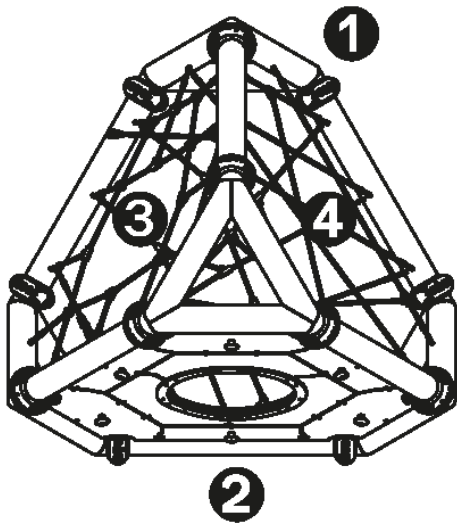
x1

climbing



x4

## Components

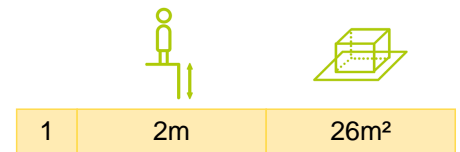
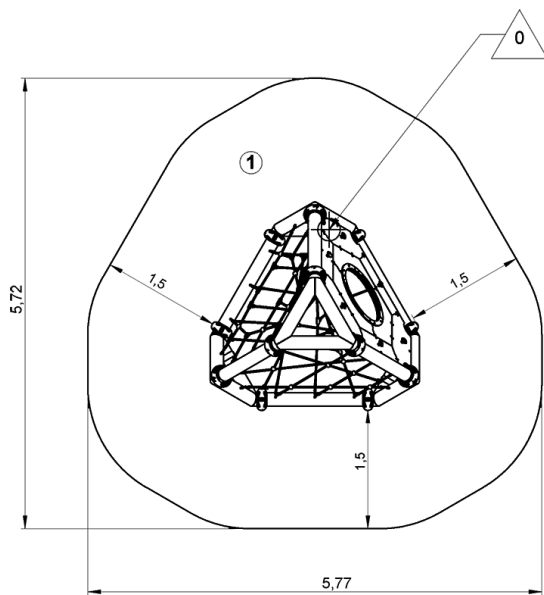


- ① Structure Kairn 6100
- ② Panneaux hublot Kairn
- ③ Filet ouverture Kairn
- ④ Filet Tetra Kairn

## Installation of equipment

**IMPORTANT:** It is essential to refer to the installation instructions for information on the size of the safety areas.

- Impact area (minimum normative surface)
- Free space



2



0m<sup>3</sup>



26m<sup>2</sup>



585kg



63kg

EN  
1176

## Environmental Indicators

Repairability



/10

Carbon footprint



3,64 KgCO<sub>2</sub>/Kg

Recyclable materials



75,00%

ECO materials: 38%

Recycled materials



38,89%

Bio-sourced materials



0,00%