


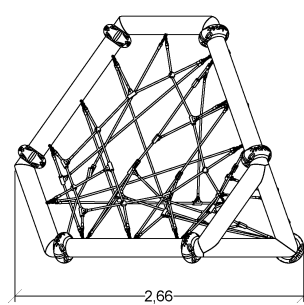
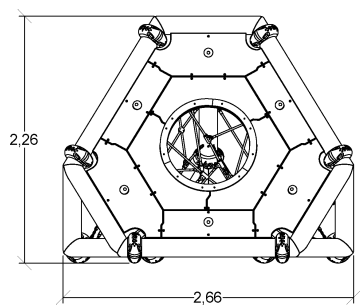
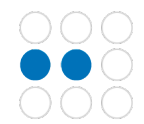
6+ **10** **2m**









 1 = 2,66m
 2 = 2,66m
 3 = 2,26m



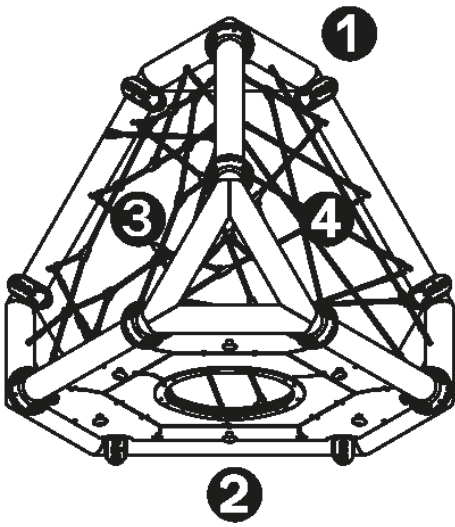
Physical inclusion
Sensory inclusion
Cognitive inclusion



Play value : **11**

climbing	role play	meeting	crawling	hiding	climbing
					
x1	x1	x1	x3	x1	x4

Components

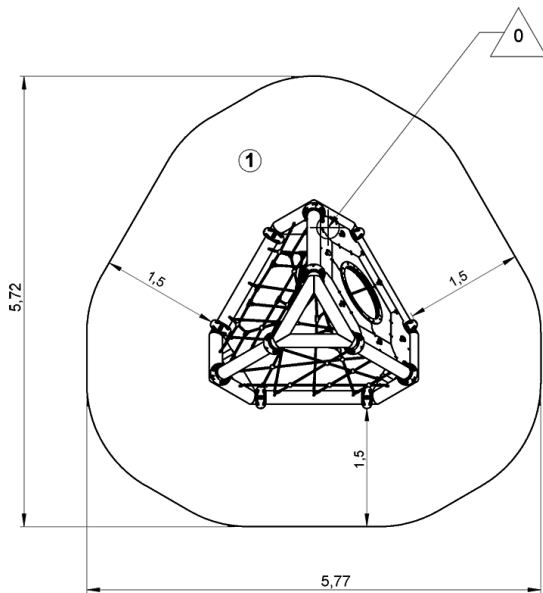


- ① Structure Kairn 6100
- ② Panneaux hublot Kairn
- ③ Filet ouverture Kairn
- ④ Filet Tetra Kairn

Installation of equipment

IMPORTANT: It is essential to refer to the installation instructions for information on the size of the safety areas.

- Impact area (minimum normative surface)
- Free space



1	2m	26m ²
---	----	------------------



2



0m³



26m²



597kg



63kg

EN
1176

Environmental Indicators

Repairability



/10

Carbon footprint



3,64 KgCO₂/Kg

Recyclable materials



75,00%

ECO materials: 38%

Recycled materials



38,89%

Bio-sourced materials



0,00%