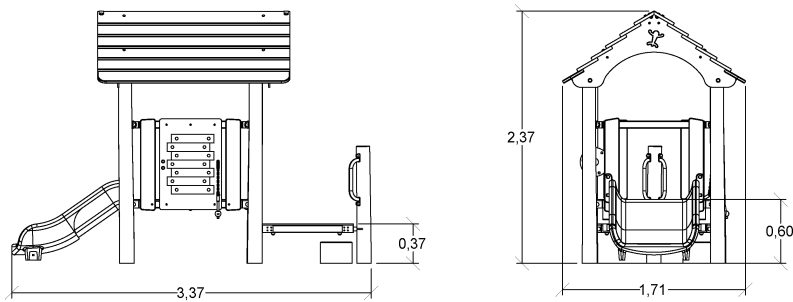


Physical inclusion  
Sensory inclusion  
Cognitive inclusion





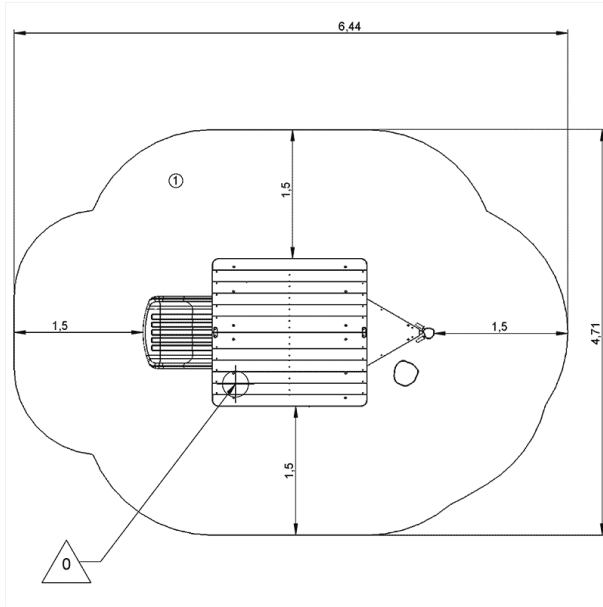
**Play value :**      **13**



role play	sliding	meeting	resting	handling	hiding	taking shelter	sound stimulation
x1	x1	x2	x1	x2	x1	x1	x2
tactile stimulation							
x2							

## Installation of equipment

**IMPORTANT:** It is essential to refer to the installation instructions for information on the size of the safety areas.

-  Impact area (minimum normative surface)
-  Free space



		
1	0,6m	15m <sup>2</sup>
2	1m	9,5m <sup>2</sup>



2



03h00



0m<sup>3</sup>



24.5m<sup>2</sup>



402kg



54kg

**EN**  
1176

## Environmental Indicators

Repairability



/10

Carbon footprint



0,15 KgCO<sub>2</sub>/Kg

Recyclable materials



84,11%

**ECO materials: 84%**

Recycled materials



15,38%

Bio-sourced materials



69,15%