



0.5+



10



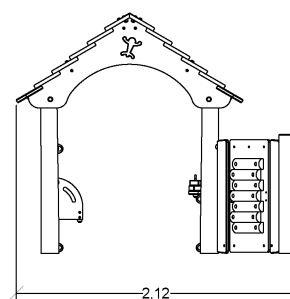
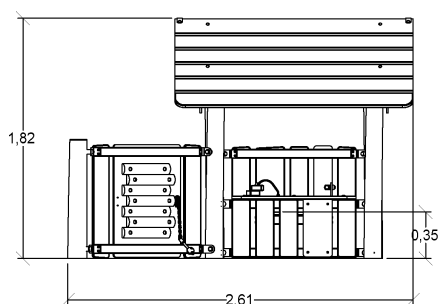
0,6m



1 = 2,61m
2 = 2,12m
3 = 1,82m



Physical inclusion
Sensory inclusion
Cognitive inclusion



Play value : **10**

role play



x1

meeting



x2

resting



x1

handling



x2

hiding



x1

taking shelter



x1

sound stimulation



x1



tactile stimulation

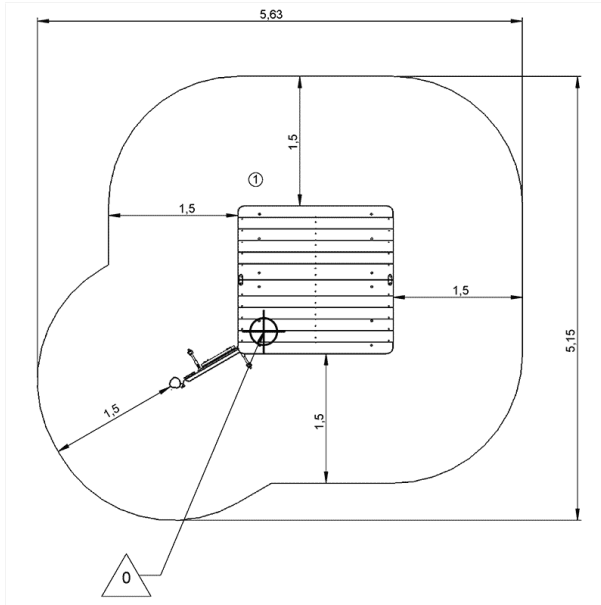




x1

Installation of equipment

IMPORTANT: It is essential to refer to the installation instructions for information on the size of the safety areas.

-  Impact area (minimum normative surface)
-  Free space



		
1	<0,6m	23,5m ²



2



02h30



0m³



23.5m²



241kg



28kg

EN
1176

Environmental Indicators

Repairability



/10

Carbon footprint



3,91 KgCO₂/Kg

Recyclable materials



88,41%

ECO materials: 56%

Recycled materials



56,52%

Bio-sourced materials



0,00%