



3+



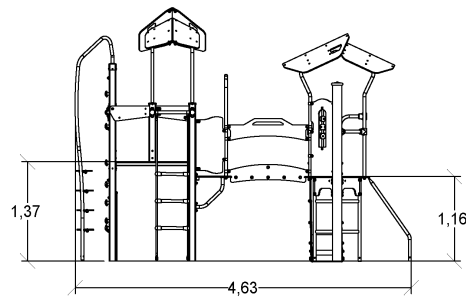
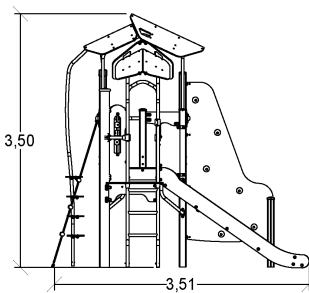
22



2,6m



1 = 4,64m
2 = 3,51m
3 = 3,49m



Play value : **16**

climbing



x2

role play



x1

sliding



x1

meeting



x2

handling



x1

balancing



x1

taking shelter



x2

tactile stimulation



x1

climbing



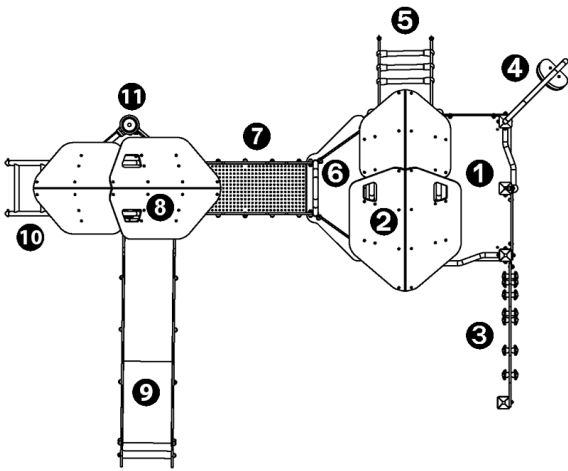
x4

getting across



x1

Components

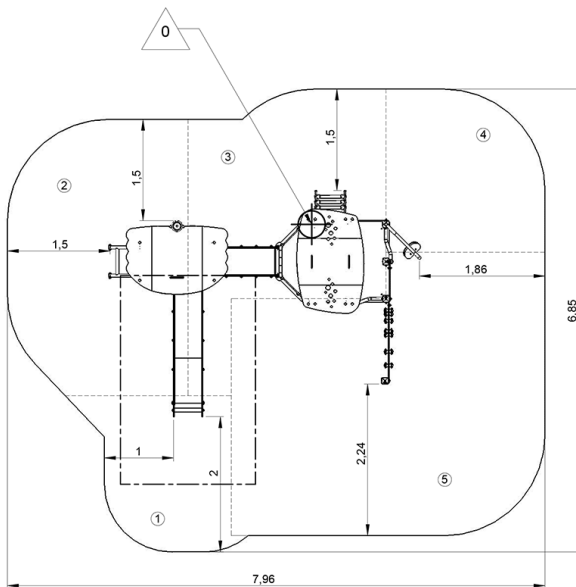


- 1 Rectangular platform
- 2 Roof
- 3 Climbing wall
- 4 Coconut climber
- 5 Rope ladder H: 1.37m
- 6 Platform HT: 1.17m
- 7 Walkway
- 8 Tower HT: 1.17m
- 9 Slide
- 10 Inclined ladder
- 11 Counting panel

Installation of equipment

IMPORTANT: It is essential to refer to the installation instructions for information on the size of the safety areas.

- Impact area (minimum normative surface)
- Free space



1	1m	4m ²
2	1,17m	10,5m ²
3	1,37m	10m ²
4	2m	5,5m ²
5	2,6m	17,5m ²



2



21h00



0.4m³



47.5m²



481kg



33kg

EN
1176

Environmental Indicators

Repairability



9,43 / 10

Carbon footprint



3,64 KgCO₂/Kg

Recyclable materials



75,00%

ECO materials: 38%

Recycled materials



38,89%

Bio-sourced materials



0,00%