



2+



5



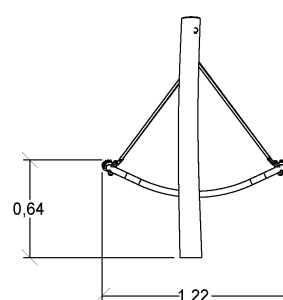
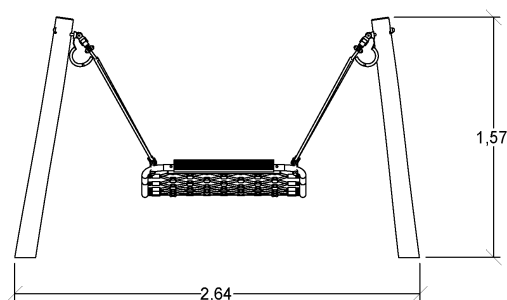
0,94m



1 = 2,64m  
2 = 1,22m  
3 = 1,57m



Physical inclusion  
Sensory inclusion  
Cognitive inclusion



Play value : **3**

meeting



x1

resting



x1


swinging



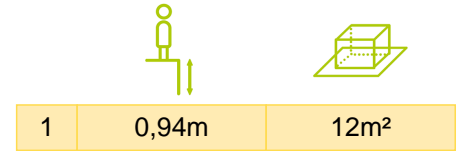
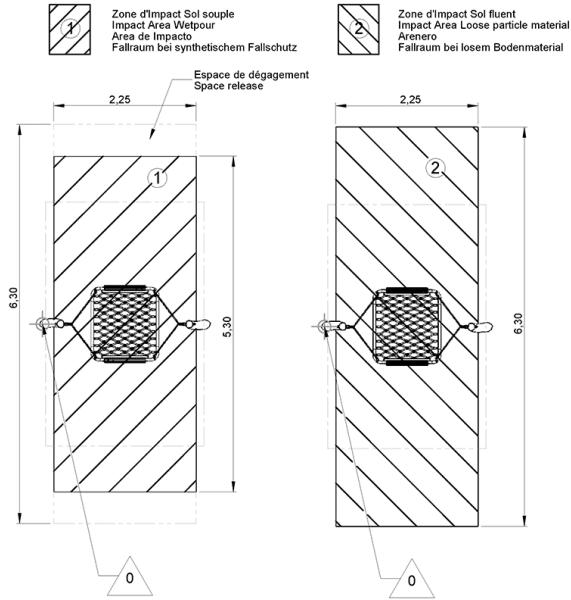
x1

## Installation of equipment

**IMPORTANT:** It is essential to refer to the installation instructions for information on the size of the safety areas.

 Impact area (minimum normative surface)

 Free space



2



01h00



0.4m<sup>3</sup>



12m<sup>2</sup>



84kg



28kg

EN  
1176

## Environmental Indicators

Repairability



9,49 /10

Carbon footprint



0,49 KgCO<sub>2</sub>/Kg

Recyclable materials



94,37%

ECO materials: 77%

Recycled materials



12,32%

Bio-sourced materials



65,36%