

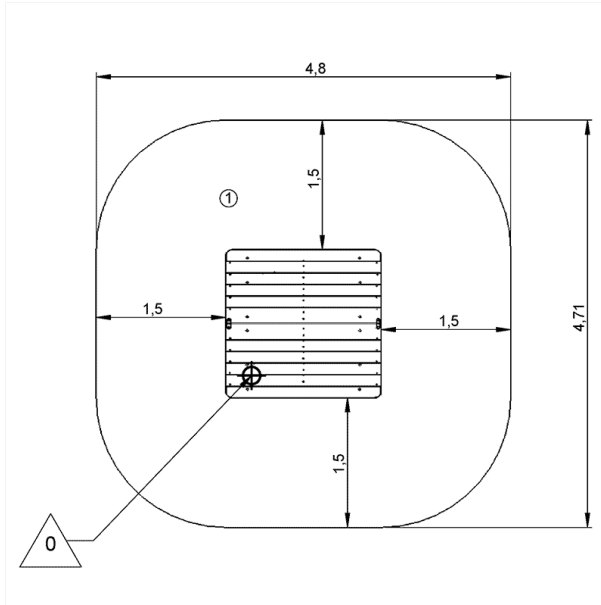






## Installation of equipment

**IMPORTANT:** It is essential to refer to the installation instructions for information on the size of the safety areas.

-  Impact area (minimum normative surface)
-  Free space



		
1	<0,6m	21m <sup>2</sup>



2



02h00



0m<sup>3</sup>



21m<sup>2</sup>



213kg



28kg

EN  
1176

## Environmental Indicators

Repairability



/10

Carbon footprint



-0,68 KgCO<sub>2</sub>/Kg

Recyclable materials



89,94%

ECO materials: 93%

Recycled materials



7,23%

Bio-sourced materials



86,43%