



2-8



51



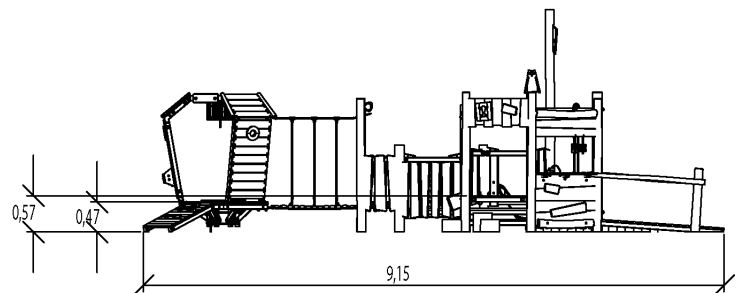
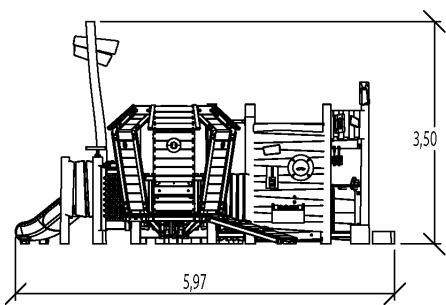
1m



1 = 9,15m
2 = 5,97m
3 = 3,5m



Physical inclusion
Sensory inclusion
Cognitive inclusion



Play value : 20

role play



x1

sliding



x1

meeting



x2

handling



x3

balancing



x1

thinking



x2

tactile stimulation



x1

visual stimulation



x6

climbing



x2



getting across

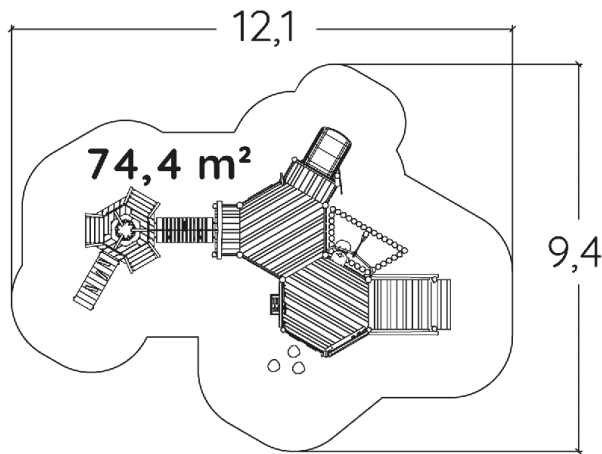




x1

Installation of equipment

IMPORTANT: It is essential to refer to the installation instructions for information on the size of the safety areas.

-  Impact area (minimum normative surface)
-  Free space



		
1	1m	74,4m ²



0



0m³



74.4m²



1928kg



1425kg

EN
1176

Environmental Indicators

Repairability



/10

Carbon footprint



3,64 KgCO₂/Kg

Recyclable materials



75,00%

ECO materials: 38%

Recycled materials



38,89%

Bio-sourced materials



0,00%