


ROCKFALL PROTECTION NETTING 8x10
2.7 POLIMAC®

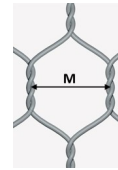
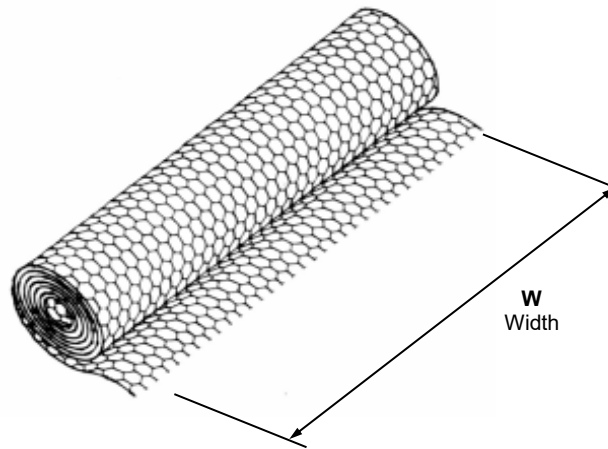
The Rockfall protection netting is a net manufactured from double twisted hexagonal woven steel wire mesh type 8x10, made of PoliMac® coated steel wire

The netting is produced in compliance with CPR - Construction Product Regulation 305/2011 and EN 10223-3.



DT NETTING PERFORMANCES			8x10 HT POLIMAC
Physical Properties			
Steel wire diameter (int. / ext.)	EN 10218-2	mm	2.70 / 3.70
Selvedge wire diameter (int. / ext.)	EN 10218-2	mm	3.40 / 4.40
Galmac coating	EN 10244-2	Class	Class A
Mechanical Performances			
Mesh Tensile Strength	EN 10223-3	kN/m	55 ± 5
Mesh Punching Load	ISO 17746 ASTM A975	kN	70 ± 5 28 ± 4
Durability Performances			
Service life of polymer coating at 25 °C	UL 746B EN 60216-8	Years	> 125
SO ₂ corrosion resistance	ISO 6988	Cycles	> 28
Salt Spray (5% DBR)	ISO 9227	Hours	> 25,000
UV resistance (@ 2,500 hours) ⁽¹⁾	ISO 4892-3	%	< 25
Abrasion resistance in dry conditions	ASTM A975	Cycles	> 400
Abrasion resistance in wet conditions	ISO 22182	Weight loss	< 2 %
Brittleness Temperature	ASTM D746	°C	< -35
Corrosion Spread (@ 2,500 hours)	ASTM A975	Corrosion length less than a mesh opening	
Environmental and Sustainability Properties 			
Global Warming Potential (GWP _{100 yrs})	EN 15804	kgCO ₂ -equiv / Kg product	< 2.00
Leachate Test	EPA 6020B	µg / L	Lower than the limits set by regulations⁽²⁾
PFAS in Water Test ⁽³⁾	EPA 537.1	ng / L	Not detected
Smoke toxicity	ISO 5659-2, EN 17084	Index of toxicity CIT_e(8) < 0.10	
Environmental Harmlessness	M GEOK E:2016	Environmentally Uncritical	

DT NETTING 8x10



Rockfall protecting netting sizes

Length (m)	Width (m)
25	2 - 3 - 4
50	2 - 3 - 4
100	2 - 3 - 4

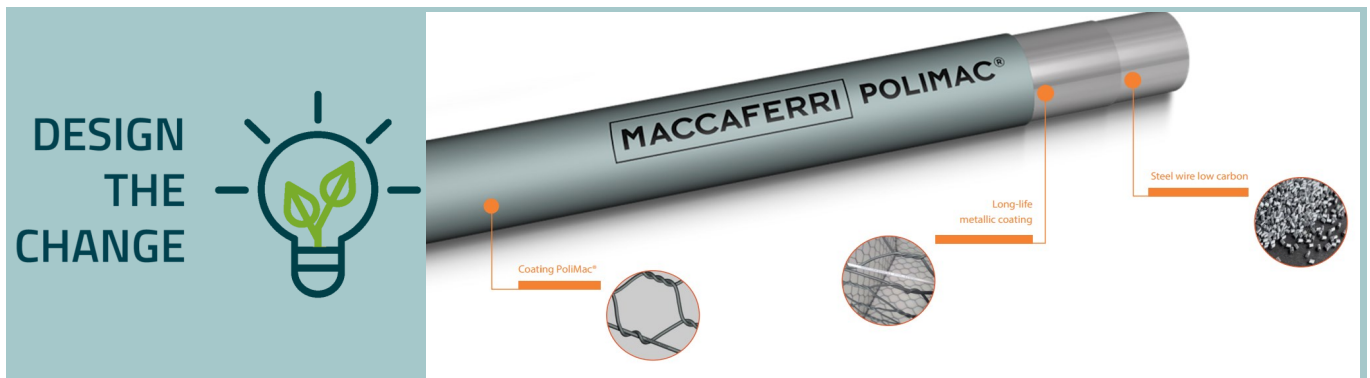
All sizes and dimensions are nominal.
Tolerances of 0/+1 m of the length, and $\pm M$ (mesh opening) of the width shall be permitted

Accessories (*):

Stainless Steel C-Rings:

- Diameter: 3.00 mm
- Tensile strength > 1,550 MPa
- Pull-apart strength > 2.0 kN
- Max spacings: 200 mm

(*): The accessories are NOT included, unless explicitly mentioned in the price offer. For additional details, see the installation manual.



- (1) UTS/elongation @ break of the base compound after 2,500 hrs exposure to QUV-A do not change more than 25% from initial test results.
- (2) Test preparation in accordance with EPA 1312; The presence or not of 31 different metals were analysed in the leachate. Regulations: (a) Water Framework Directive 2000/60/EC; (b) CCME Water Quality Guidelines for the Protection of Aquatic Life, Freshwater; (c) U.S. EPA National Recommended Water Quality Criteria (Aquatic Life, Freshwater), 2006.
- (3) The presence or not of 28 different PFAS were analysed. The PFOS and PFOA were not detected at <2 ng/L, while other PFAS and their derivatives were also not detected between <2 ng/L and < 4 ng/L.