

OAK

## FREESTANDING NOTICE BOARD

Our FSC-certified **oak notice boards** bring natural warmth and timeless appeal to any public setting. Crafted from responsibly sourced timber, they combine traditional charm with robust, outdoor-ready construction. The oak is treated for long-lasting durability, making it suitable for parks, village centres, and heritage sites.

Available in single or double door options, each board includes secure, lockable doors and is designed for easy upkeep. A sustainable, elegant choice that balances practicality with classic style.

### Product features

- Hardwood FSC Oak construction
- Can be supplied with or without a header board
- Robust stainless steel locks
- Gas struts to support doors when open
- Tough 4mm clear polycarbonate window
- Magnetic back board – magnets included
- Vent holes to minimise condensation
- Preservative finish
- Standard sizes A2, A1 and A0
- 1 year manufacturer's warranty

Specification applies to the standard product. Our range of options usually allow us to accommodate any differences you may require. Please contact us and we will be happy to support you in developing this specification to meet your requirements.

Option delete/ update as appropriate

**Manufacturer:** Fitzpatrick Woolmer, Unit 7 Lakeside Park, Neptune Close, Rochester, Kent, ME2 4LT.  
**Tel:** 01634 711 771  
**Email:** info@fwdp.co.uk

**Timber:** FSC Prime Grade to BS EN 975-1

**Species:** Oak and Eucalyptus (external grade plywood)

**Origin:** France and China

**Moisture content on delivery:** 10% - 20%

**Certification:** FSC chain of custody

**Finish:** Sadolin Classic wood preservative, solvent based, matt

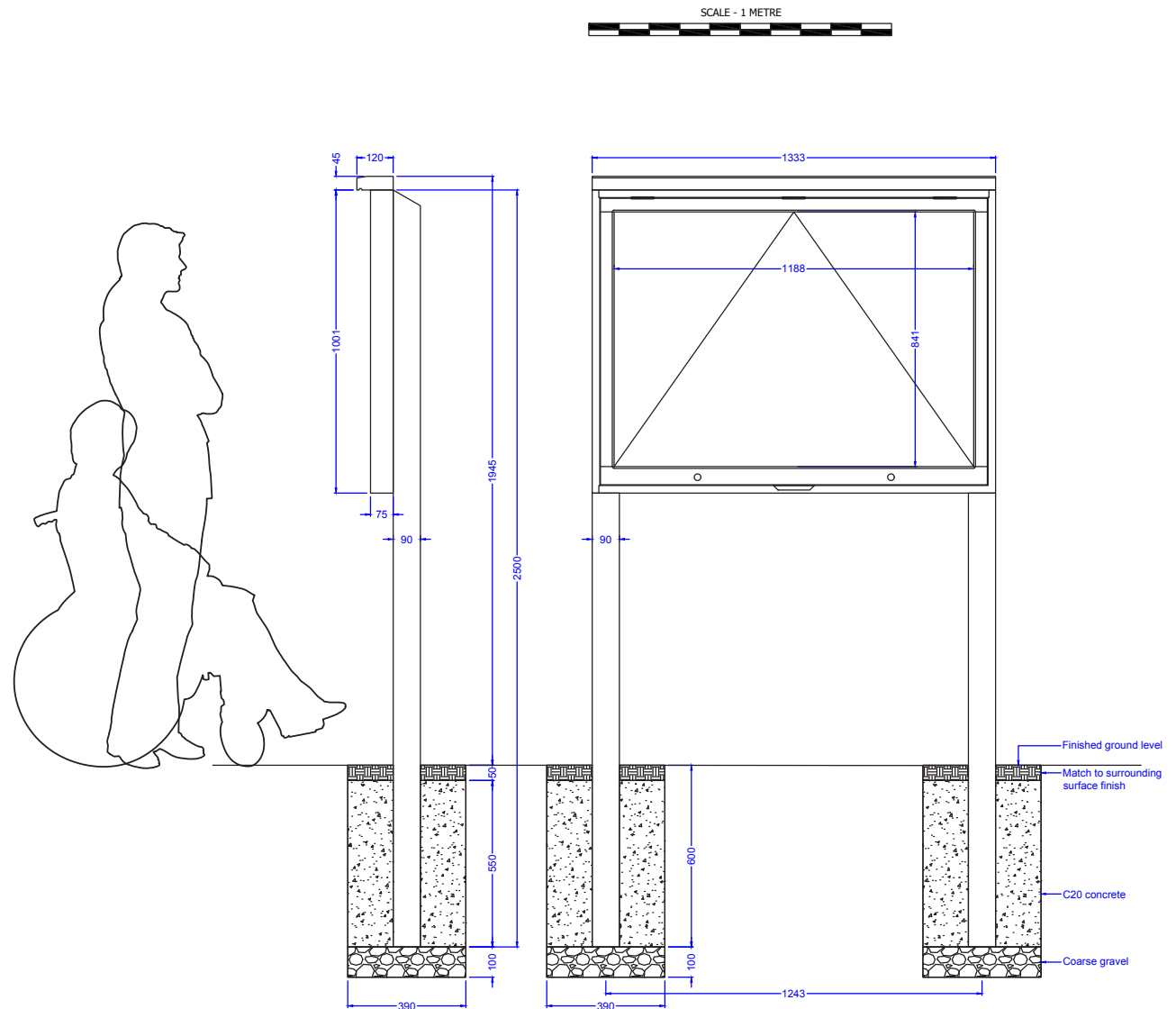
**Colour:** Light Oak

**Weight:** 75kg

**Installation:** Posts extend 600mm below ground level

**Guarantee:** One year manufacturer's warranty

**Note:**  
 All dimensions are indicative only.  
 Footing details are subject to soil conditions and structural engineers recommendations.



Specification applies to the standard product. Our range of options usually allow us to accommodate any differences you may require. Please contact us and we will be happy to support you in developing this specification to meet your requirements.

Option delete/ update as appropriate

**Manufacturer:** Fitzpatrick Woolmer,  
Unit 7 Lakeside Park, Neptune Close,  
Rochester, Kent, ME2 4LT.  
**Tel:** 01634 711 771  
**Email:** info@fwdp.co.uk

**Timber:** FSC Prime Grade to BS EN 975-1

**Species:** Oak and Eucalyptus (external grade plywood)

**Origin:** France and China

**Moisture content on delivery:** 10% - 20%

**Certification:** FSC chain of custody

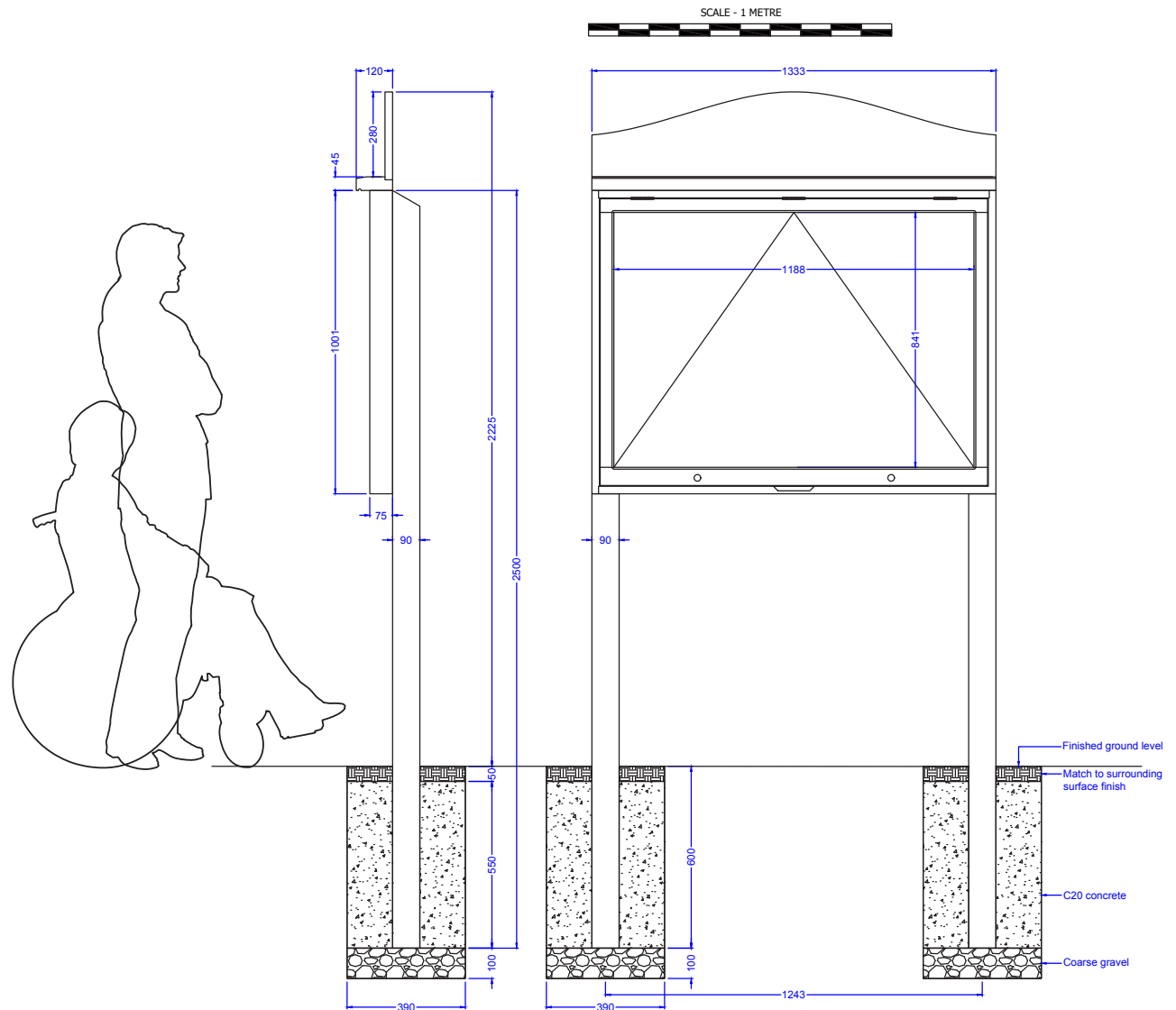
**Finish:** Sadolin Classic wood preservative, solvent based, matt

**Colour:** Light Oak

**Weight:** 83g

**Installation:** Posts extend 600mm below ground level

**Guarantee:** One year manufacturer's warranty



**Note:**  
All dimensions are indicative only.  
Footing details are subject to  
soil conditions and structural  
engineers recommendations.

Specification applies to the standard product. Our range of options usually allow us to accommodate any differences you may require. Please contact us and we will be happy to support you in developing this specification to meet your requirements.

Option delete/ update as appropriate

**Manufacturer:** Fitzpatrick Woolmer, Unit 7 Lakeside Park, Neptune Close, Rochester, Kent, ME2 4LT.  
**Tel:** 01634 711 771  
**Email:** info@fwdp.co.uk

**Timber:** FSC Prime Grade to BS EN 975-1

**Species:** Oak and Eucalyptus (external grade plywood)

**Origin:** France and China

**Moisture content on delivery:** 10% - 20%

**Certification:** FSC chain of custody

**Finish:** Sadolin Classic wood preservative, solvent based, matt

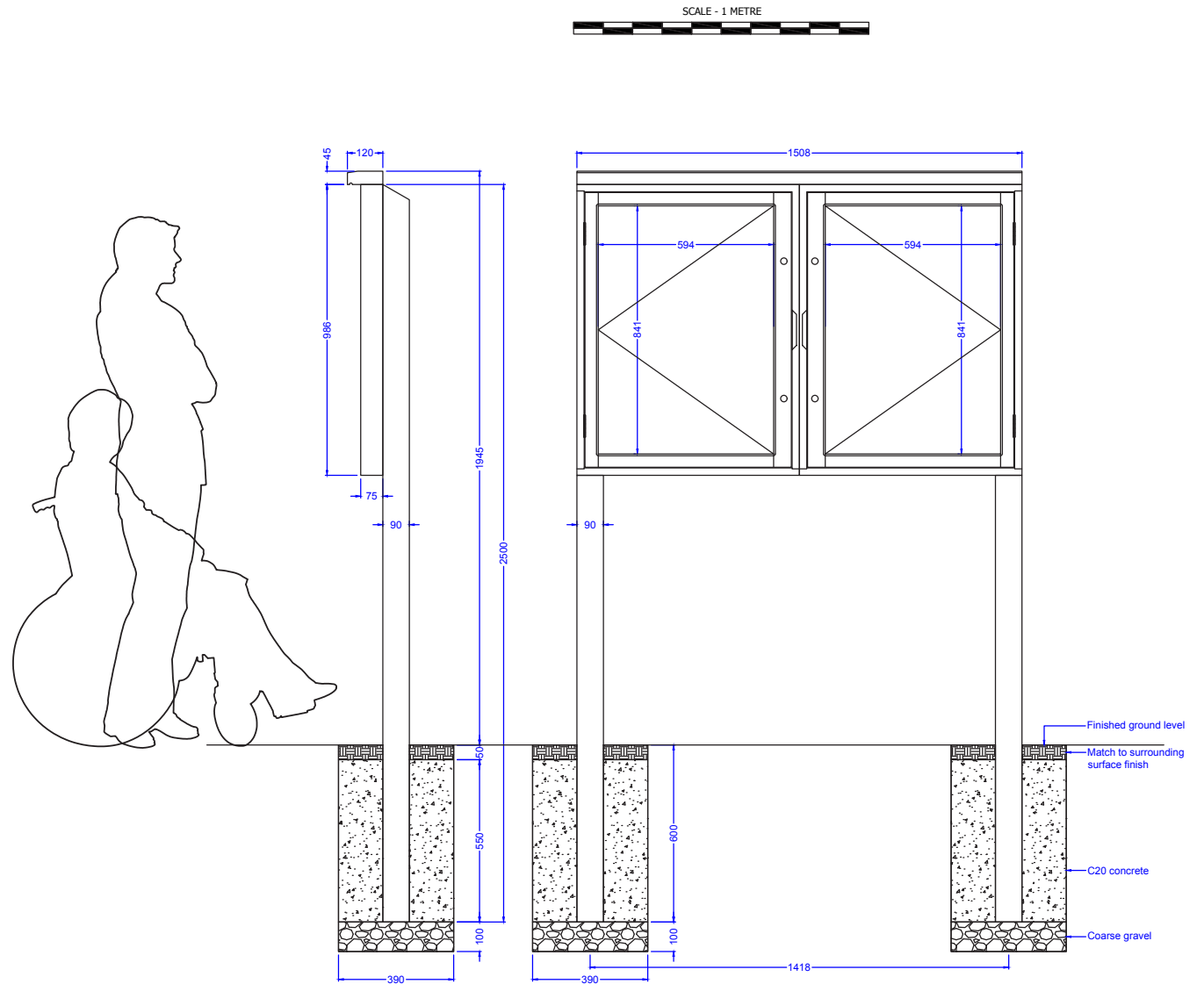
**Colour:** Light Oak

**Weight:** 84kg

**Installation:** Posts extend 600mm below ground level

**Guarantee:** One year manufacturer's warranty

**Note:**  
 All dimensions are indicative only.  
 Footing details are subject to soil conditions and structural engineers recommendations.



Specification applies to the standard product. Our range of options usually allow us to accommodate any differences you may require. Please contact us and we will be happy to support you in developing this specification to meet your requirements.

Option delete/ update as appropriate

**Manufacturer:** Fitzpatrick Woolmer, Unit 7 Lakeside Park, Neptune Close, Rochester, Kent, ME2 4LT.  
**Tel:** 01634 711 771  
**Email:** info@fwdp.co.uk

**Timber:** FSC Prime Grade to BS EN 975-1

**Species:** Oak and Eucalyptus (external grade plywood)

**Origin:** France and China

**Moisture content on delivery:** 10% - 20%

**Certification:** FSC chain of custody

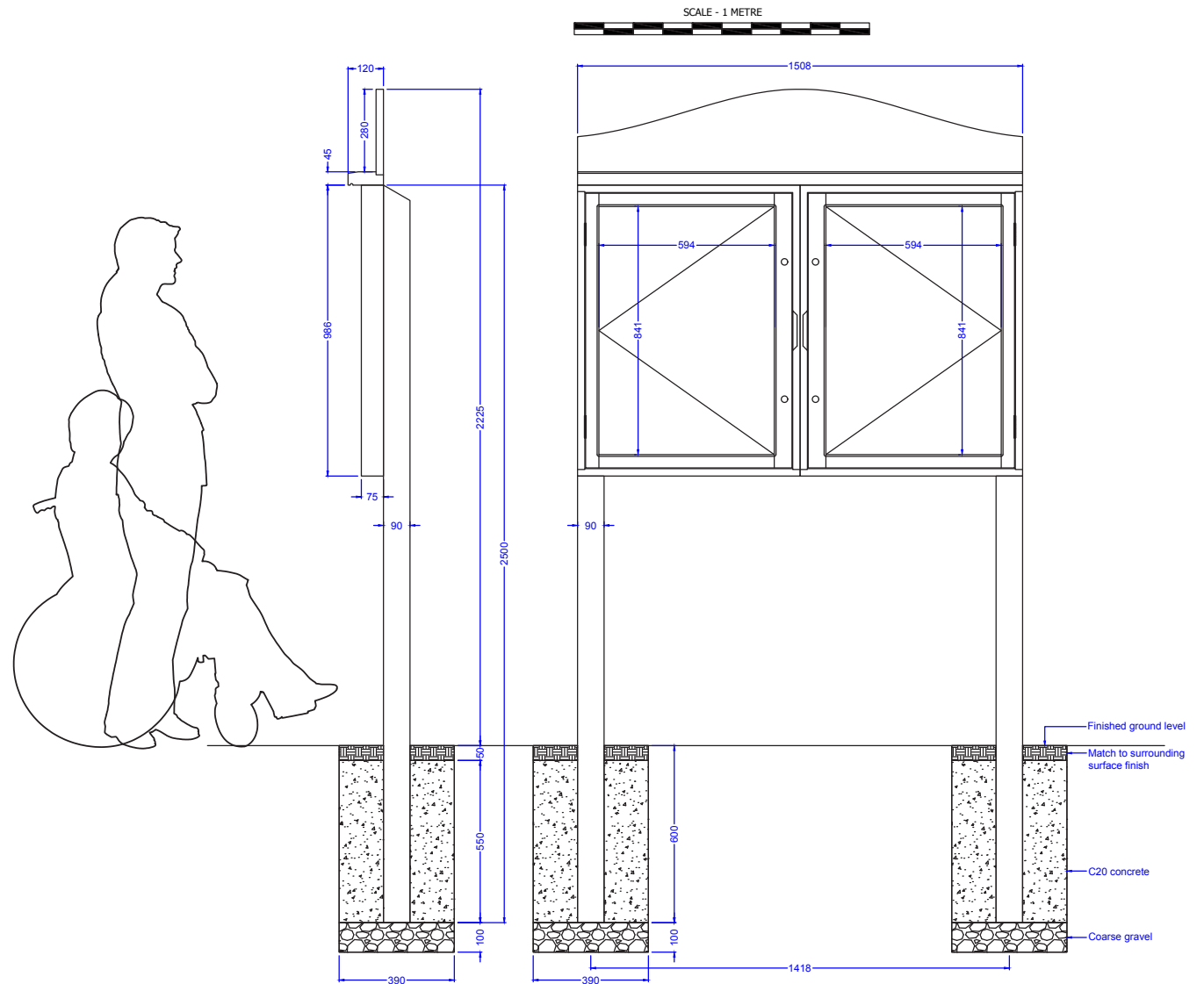
**Finish:** Sadolin Classic wood preservative, solvent based, matt

**Colour:** Light Oak

**Weight:** 92kg

**Installation:** Posts extend 600mm below ground level

**Guarantee:** One year manufacturer's warranty



**Note:**  
 All dimensions are indicative only.  
 Footing details are subject to soil conditions and structural engineers recommendations.

Specification applies to the standard product. Our range of options usually allow us to accommodate any differences you may require. Please contact us and we will be happy to support you in developing this specification to meet your requirements.

Option delete/ update as appropriate

**Manufacturer:** Fitzpatrick Woolmer,  
Unit 7 Lakeside Park, Neptune Close,  
Rochester, Kent, ME2 4LT.  
**Tel:** 01634 711 771  
**Email:** info@fwdp.co.uk

**Timber:** FSC Prime Grade to BS EN 975-1

**Species:** Oak and Eucalyptus (external grade plywood)

**Origin:** France and China

**Moisture content on delivery:** 10% - 20%

**Certification:** FSC chain of custody

**Finish:** Sadolin Classic wood preservative,  
solvent based, matt

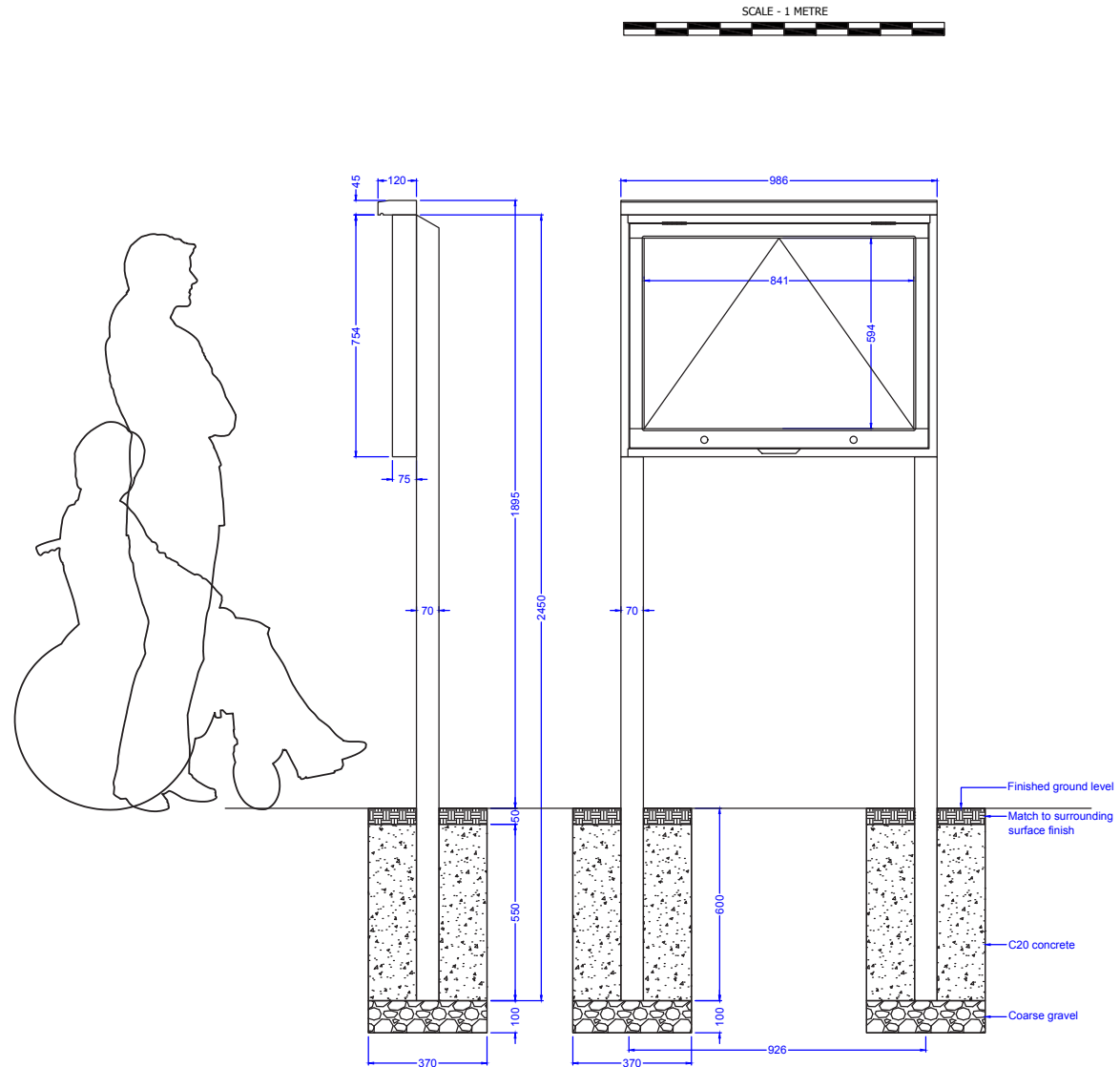
**Colour:** Light Oak

**Weight:** 47kg

**Installation:** Posts extend 600mm below  
ground level

**Guarantee:** One year manufacturer's warranty

**Note:**  
All dimensions are indicative only.  
Footing details are subject to  
soil conditions and structural  
engineers recommendations.



Specification applies to the standard product. Our range of options usually allow us to accommodate any differences you may require. Please contact us and we will be happy to support you in developing this specification to meet your requirements.

Option delete/ update as appropriate

**Manufacturer:** Fitzpatrick Woolmer, Unit 7 Lakeside Park, Neptune Close, Rochester, Kent, ME2 4LT.  
**Tel:** 01634 711 771  
**Email:** info@fwdp.co.uk

**Timber:** FSC Prime Grade to BS EN 975-1

**Species:** Oak and Eucalyptus (external grade plywood)

**Origin:** France and China

**Moisture content on delivery:** 10% - 20%

**Certification:** FSC chain of custody

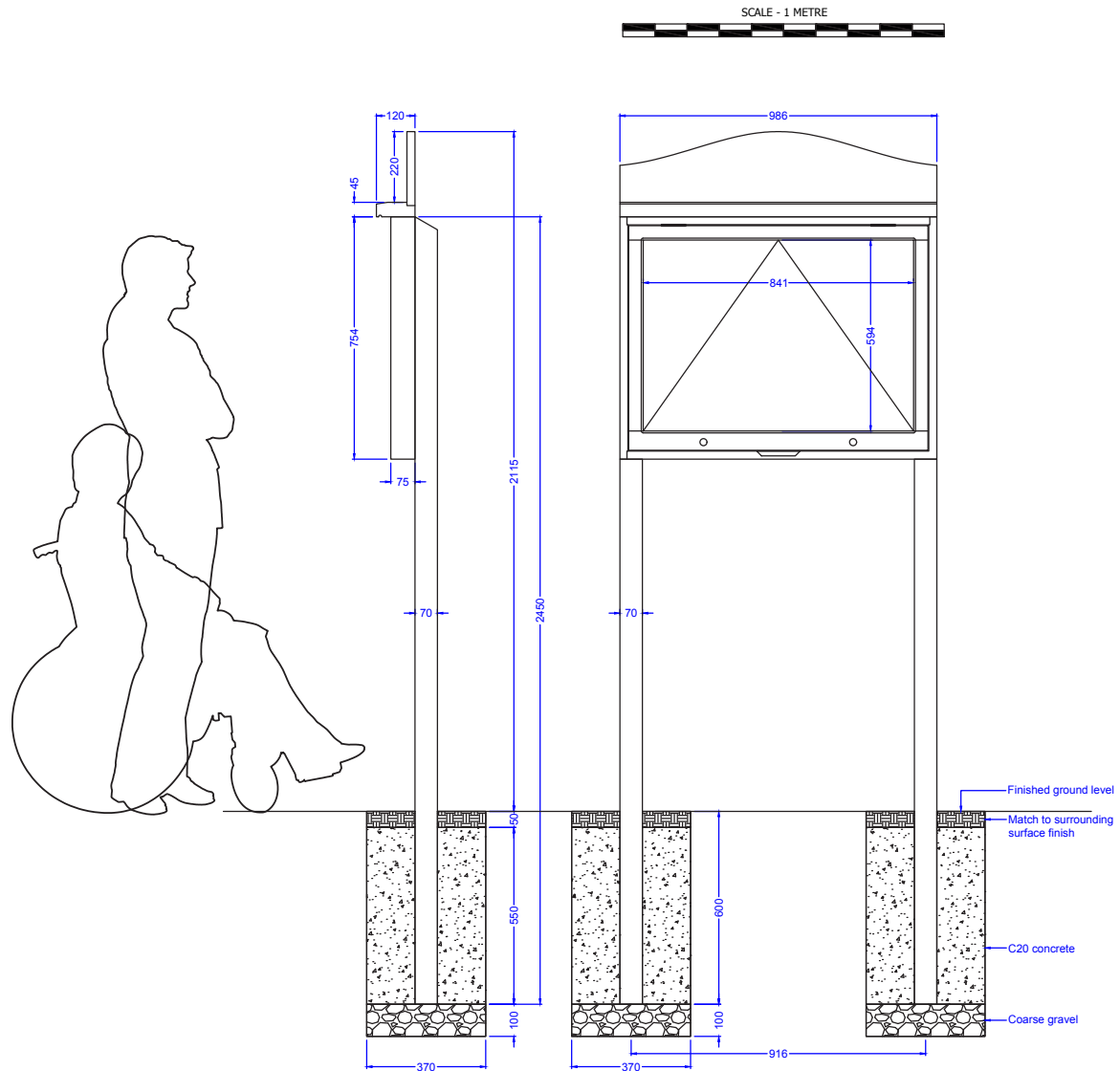
**Finish:** Sadolin Classic wood preservative, solvent based, matt

**Colour:** Light Oak

**Weight:** 52kg

**Installation:** Posts extend 600mm below ground level

**Guarantee:** One year manufacturer's warranty



**Note:**  
 All dimensions are indicative only.  
 Footing details are subject to soil conditions and structural engineers recommendations.

Specification applies to the standard product. Our range of options usually allow us to accommodate any differences you may require. Please contact us and we will be happy to support you in developing this specification to meet your requirements.

Option delete/ update as appropriate

**Manufacturer:** Fitzpatrick Woolmer,  
Unit 7 Lakeside Park, Neptune Close,  
Rochester, Kent, ME2 4LT.  
**Tel:** 01634 711 771  
**Email:** info@fwdp.co.uk

**Timber:** FSC Prime Grade to BS EN 975-1

**Species:** Oak and Eucalyptus (external grade plywood)

**Origin:** France and China

**Moisture content on delivery:** 10% - 20%

**Certification:** FSC chain of custody

**Finish:** Sadolin Classic wood preservative,  
solvent based, matt

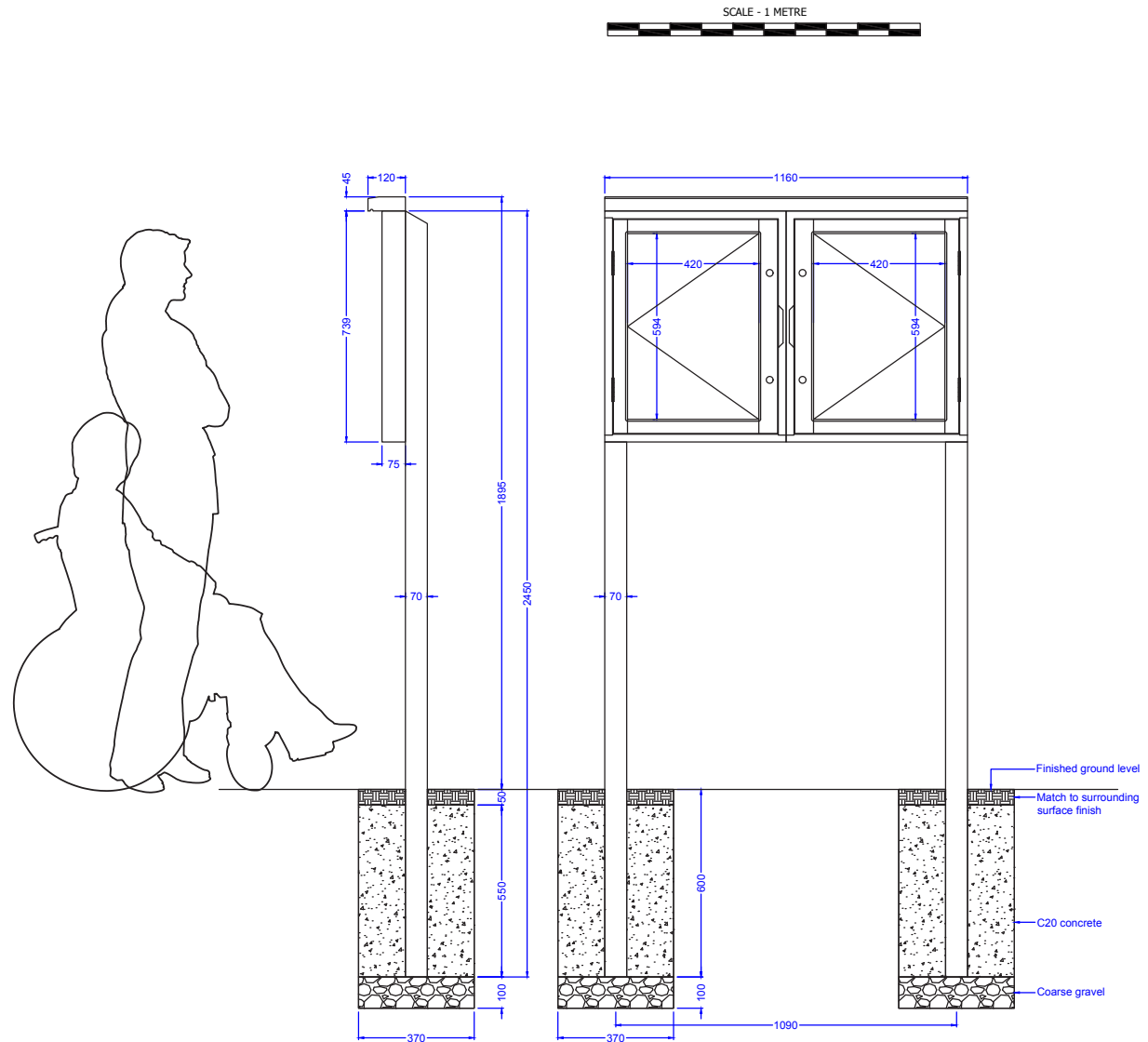
**Colour:** Light Oak

**Weight:** 52kg

**Installation:** Posts extend 600mm below  
ground level

**Guarantee:** One year manufacturer's warranty

**Note:**  
All dimensions are indicative only.  
Footing details are subject to  
soil conditions and structural  
engineers recommendations.







Specification applies to the standard product. Our range of options usually allow us to accommodate any differences you may require. Please contact us and we will be happy to support you in developing this specification to meet your requirements.

Option delete/ update as appropriate

**Manufacturer:** Fitzpatrick Woolmer, Unit 7 Lakeside Park, Neptune Close, Rochester, Kent, ME2 4LT.  
**Tel:** 01634 711 771  
**Email:** info@fwdp.co.uk

**Timber:** FSC Prime Grade to BS EN 975-1

**Species:** Oak and Eucalyptus (external grade plywood)

**Origin:** France and China

**Moisture content on delivery:** 10% - 20%

**Certification:** FSC chain of custody

**Finish:** Sadolin Classic wood preservative, solvent based, matt

**Colour:** Light Oak

**Weight:** 39kg

**Installation:** Posts extend 600mm below ground level

**Guarantee:** One year manufacturer's warranty

**Note:**  
 All dimensions are indicative only.  
 Footing details are subject to soil conditions and structural engineers recommendations.

