



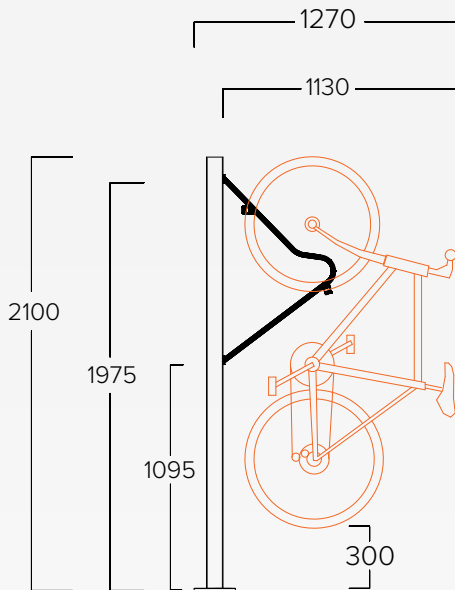
PREMIUM SOLO VERTICAL BIKE RACK

Space-Saving Vertical Cycle Storage For Modern Developments

The Premium Solo Vertical Bike Rack is the go-to choice for premium office, commercial, and residential developments that demand secure, space-efficient, and visually refined cycle storage. Designed with a sleek upright post and modern architectural finish, it offers a free-standing solution when wall mounting isn't an option. With both single-sided and back-to-back configurations available, the Premium Solo delivers exceptional storage density without compromising design or usability. Powder-coated to suit your project palette and BREEAM-compliant by design, this rack is built for projects where quality and appearance matter just as much as performance. These racks have been commonplace in most high-specification End of Journey projects. They are available in a range of RAL colours and gloss levels that allow for a contrast between the wheel bracket and support post.

- › **Architectural-Grade Design:** Clean, modern look suit suited for premium office and residential spaces.
- › **Free-standing or Back-to-Back Configurations:** Designed for layout flexibility and maximum density.
- › **BREEAM-Compliant:** Allows for dual-point locking via frame and wheel.
- › **Custom-Fit Options:** Built to your project's spec with optional secondary wheel guides.
- › **Premium Powder Coated Finish:** Choose from a wide range of RAL colours and gloss levels.
- › **Made in Britain:** Manufactured using high-grade British steel
- › **Heavy-Duty CHS Construction:** Engineered for long-term durability.
- › **CAD Drawings & Consultation:** Design support from start to finish.





**Clear Access Space in
Front of Racks**

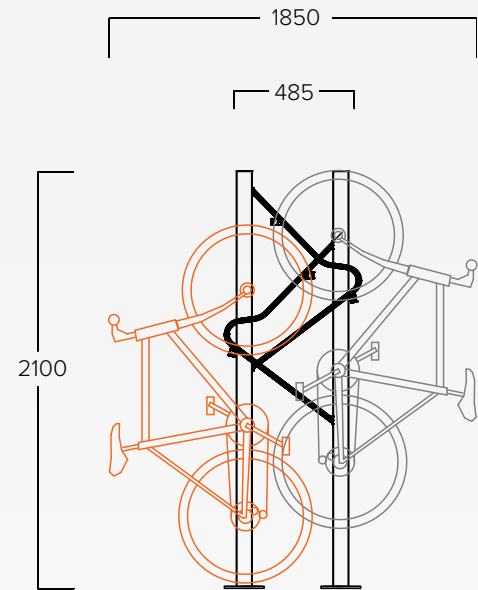
1130mm

**Space Between
Racks**

350mm Standard
305mm Minimum

**Minimum Ceiling
Height**

2100mm



Bespoke centres to fit your exact specifications

PREMIUM SOLO VERTICAL CYCLE RACKS

Engineered for premium spaces, the Premium Solo Vertical Bike Rack combines modern design with efficient bike storage. Its upright free-standing format eliminates the need for walls while offering secure, space-maximising layouts. Custom finishes and architectural styling make this rack the perfect fit for high-spec internal cycle stores.

Customisation that Works for You

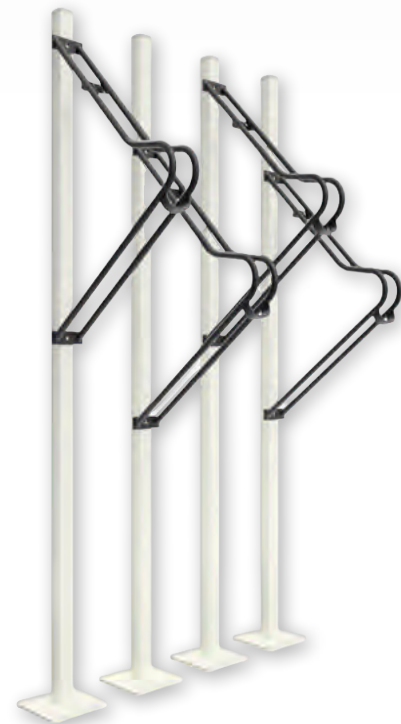
Every site is different which is why this rack is built to adapt:

- › Hot Dipped Galvanised to BS EN ISO 1461:2022 as standard
- › Polyester Powder Coated (RAL options available)
- › Frame and wheel locking points for BREEAM compliance
- › Freestanding fixing type with welded baseplate
- › 10-year warranty & Made in Britain
- › Constructed using welded CHS mild steel

Lead Times

4 — 6 Weeks

**For quicker delivery contact us*



Need help with installation?

We offer a full installation service
hello@thebikestoragecompany.co.uk

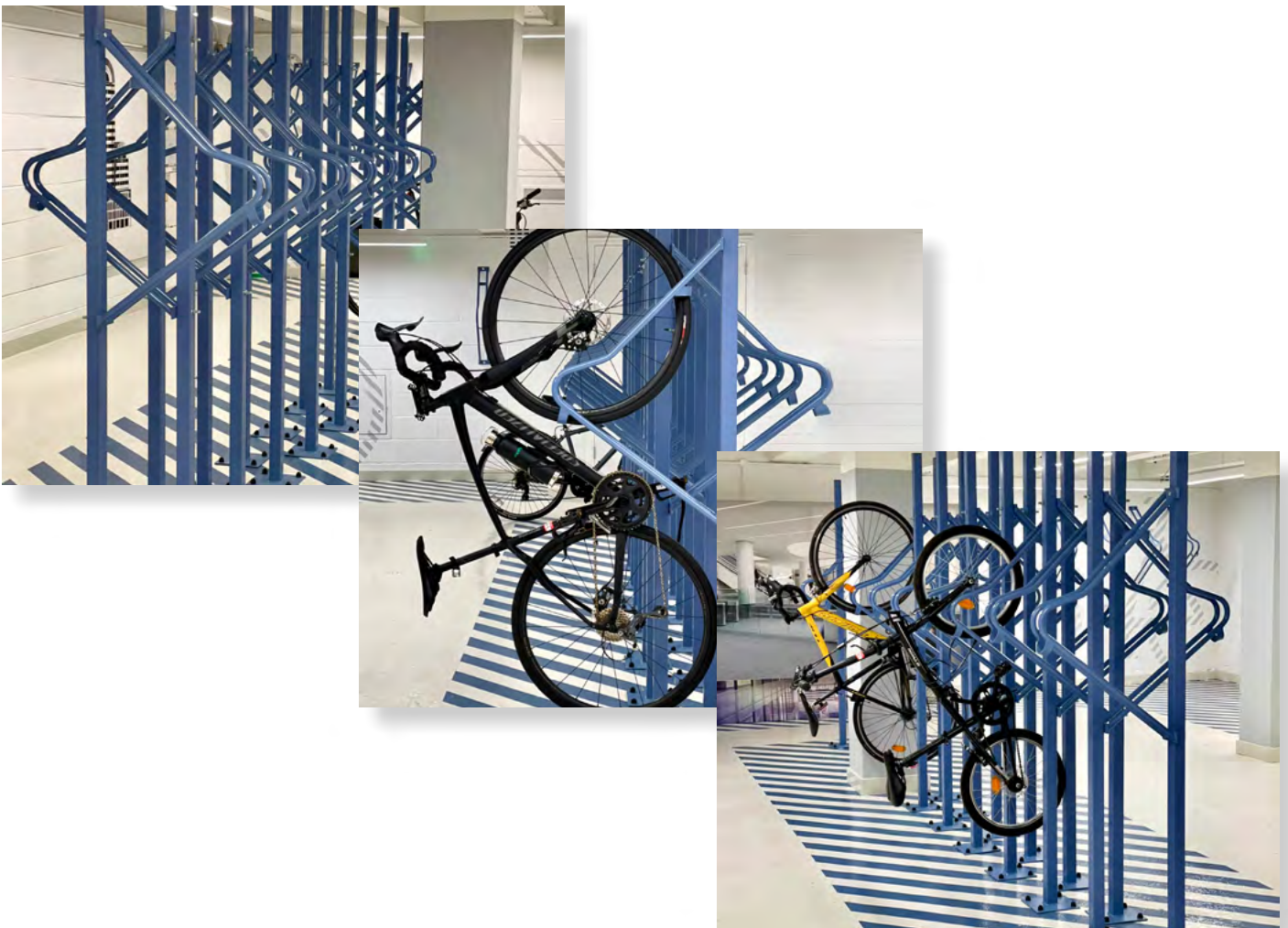
PROJECT

20 Gracechurch Street

20 Gracechurch Street is a contemporary postmodern commercial building in the City of London that previously served as the Barclays headquarters. Built-in 1992, the 17-storey property is now home to extensive office space alongside a retail area occupied by New Look and Itsu. A new internal cycle storage area was recently commissioned for the site to encourage uptake in cycling, and our team was entrusted with the installation's design, build and delivery.

With 20 Gracechurch Street being a beautifully fitted property, our team had to find a solution suitable for this prestigious location. After surveying the site and consulting with the client, we discovered that our premium bike rack range was best suited to the project. To this end, 70 Premium Solo Vertical Bike Racks and 20 Premium Vertical Bike Racks were manufactured, shipped, and installed by our team.

All powder-coated to a charming sapphire blue, this combination has not only delivered a premium feel to the cycle store but also enhanced the overall aesthetic of the property. Clothing lockers and square-frame oak timber benches were also installed to provide high-quality end-of-journey solutions for the client.



DOWNLOADS LIBRARY

For more information on our product specifications, colours and finishes view our product downloads library online.

ACHIEVE BREEAM
ACCREDITATION
BRITISH MADE
PRODUCTS



0800 246 1723

www.thebikestoragecompany.co.uk

hello@thebikestoragecompany.co.uk

306 Harbour Yard, London, SW10 0XD