



CONCORDE GLASS CYCLE CANOPY

Combining Secure Bike Storage, Durable Construction & Architectural Design

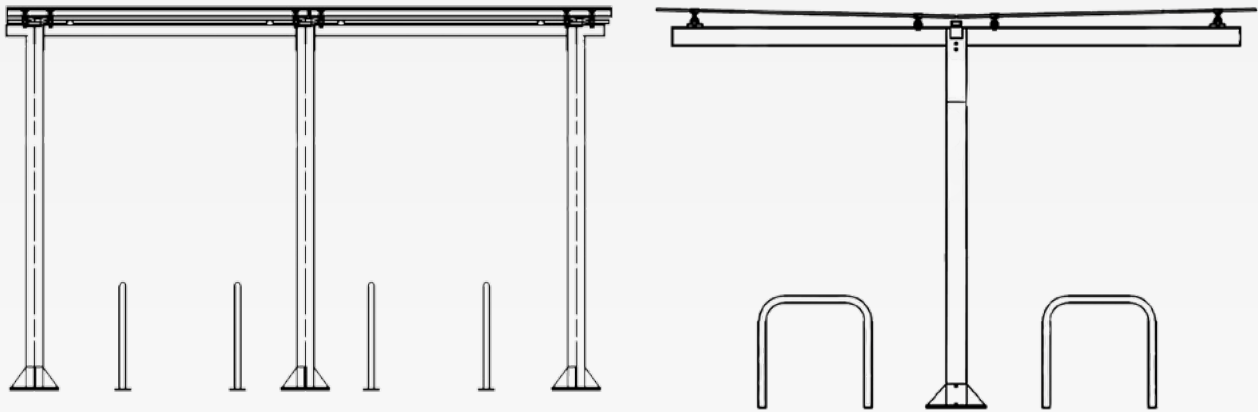
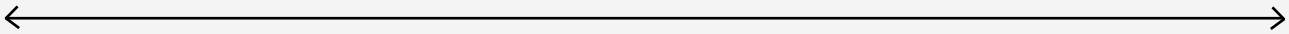
The Concorde Glass Cycle Canopy delivers secure, weather-protected cycle storage with a striking architectural finish. Designed for architects, specifiers, and construction professionals, it combines robust hot-dipped galvanised steel with 20mm laminated, UV-stable toughened glass for exceptional safety and durability. Its modular, scalable design means it can be tailored to suit small residential projects or large-scale commercial developments, while options such as e-bike charging, anti-climb mesh, and custom RAL colours allow for complete integration with your project's design and security requirements. Whether installed at a corporate headquarters, transport hub, or premium residential scheme, the Concorde provides a secure and visually distinctive cycle storage solution. To specify this shelter for your next project, contact our sales team for a tailored quote, complete with project specific design advice.

- › **Enhanced Safety:** Advanced 20mm laminate & toughened UV-stable glass for maximum protection
- › **Custom Finish:** Choose from RAL colour options to match your architectural scheme
- › **Flexible Bike Rack Compatibility:** Supports Two Tier racks, Sheffield Stands, Toastracks and more
- › **Modular & Scalable:** Designed to adapt to different storage capacities and site layouts
- › **E-Bike Ready:** Integrated power supply options for electric bike charging
- › **Long-Term Durability:** 10-Year manufacturing warranty and crafted with hot-dipped galvanised steel to BS EN ISO 1461:2022
- › **Made in Britain:** Supporting UK manufacturing and craftsmanship
- › **Ideal Applications:** Corporate offices, residential developments, public transport hubs, schools & urban regeneration projects





Bespoke dimensions available to fit your exact specifications



CONCORDE GLASS CYCLE SHELTER

The Concorde Glass Cycle Canopy provides secure, weather-protected cycle storage with a premium architectural finish. Built with 20mm laminated toughened glass and a galvanised steel frame, it delivers durability, safety, and style. With options for custom RAL colours, e-bike charging, and flexible rack layouts, it's a versatile solution for commercial, residential, and public sector projects.

Customisation that Works for You

Every site is different which is why this shelter is built to adapt:

- › Hot-Dipped Galvanised SHS steel frame structure
- › 20mm laminated UV-stable toughened glass glazing
- › Polyester powder-coated finish with custom RAL available
- › Sheffield Stands, Two Tier Racks, Toastracks & custom layouts bike rack options
- › Optional integrated e-bike charging points
- › Modular design & scalable to suit various capacities



Lead Times

4 - 6 Weeks

**For updated and expedited lead times, please contact us*

Need help with installation?

We offer a full installation service

hello@thebikestoragecompany.co.uk

PROJECT

Bulls Bridge Industrial Estate, Hayes

Union Park, a cutting-edge data centre by Ark Data Centres in Bulls Bridge Industrial Estate, Hayes, responds to the escalating demand for data centres in today's digital landscape. This £600 million investment project strongly emphasises sustainability, leveraging the latest eco-friendly technologies and committing to ecological improvements. The project's sustainability framework includes onsite solar generation, air cooling for IT equipment, rainwater harvesting, a living roof and walls, and electric car charging points. This commitment aligns with achieving a zero-carbon economy by 2024 through renewable power sources and HVO fuel for backup generators, reducing air emissions by up to 90%

For this project, we were tasked with elevating Union Park's bike storage facilities functionally and aesthetically. Our contribution included a bespoke cycle canopy solution tailored to the site's unique needs. This shelter is now being branded as our Concorde Glass Cycle Canopy. This modular design ensures open bike parking spaces with secure user access through secure mesh fencing with access control. Elevating the design further are customisation upgrades, including a Polyester Powder Coated Framework in a sleek black RAL colour, and an upgrade to a Stainless-Steel Sheffield Stands. This tailored solution not only provides secure and open storage but also enhances the visual appeal of the project, showcasing a blend of functionality and design.



DOWNLOADS LIBRARY

For more information on our product specifications, colours and finishes view our product downloads library online.

ACHIEVE BREEAM
ACCREDITATION
BRITISH MADE
PRODUCTS



0800 246 1723

www.thebikestoragecompany.co.uk

hello@thebikestoragecompany.co.uk

107 - 108 Harbour Yard, London, SW10 0XD