



10 SPACE CHELSEA CYCLE SHELTER

An Ideal Solution for Areas Seeking Secure and Covered Storage

The 10 Space Chelsea Cycle Shelter offers a sleek, high-security solution for covered cycle storage. Designed with a robust anti-climb polycarbonate canopy, this shelter helps deter vandalism and unauthorised access while providing excellent weather protection and ease of use. Ideally suited to schools, offices, train stations, and residential developments, the Chelsea Shelter is engineered from hot-dipped galvanised steel to BS EN ISO 1461:2022 for maximum durability and rust resistance. Custom powder-coating options and a fire-retardant version make it a versatile and future-proof choice for any site that supports sustainable transport. Pair with our Toastrack (included) or optional Sheffield Stands to offer cyclists secure locking points for both wheels and frames. Customisation options such as Fire-retardant coating, stand upgrades, and colour matching are available upon request.

- › **Standard Dimension:** 4100mm (W) x 2100mm (D) x 2100mm (H) - contact us for bespoke requirements
- › **10 Space Toastrack included as standard** (or upgrade to Sheffield Stands)
- › **Anti-climb:** 3mm clear polycarbonate canopy for added security.
- › **Manufactured from hot dipped galvanised steel** for long-lasting durability.
- › **Optional polyester powder coating** in any RAL colour
- › **Available in a fire retardant version**
- › **10-year manufacturer's warranty & 15-year rust free guarantee**
- › **Helps meet BREEAM accreditation requirements**
- › **Made in Britain** with fast lead times
- › **CAD files and downloadable specifications available**





**Standard Minimum
Width**

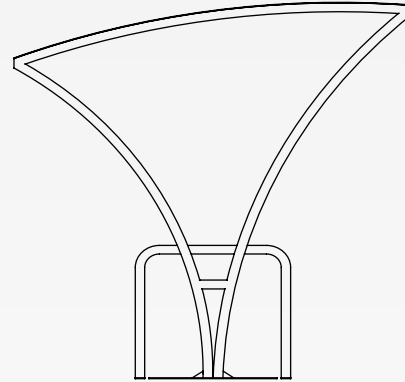
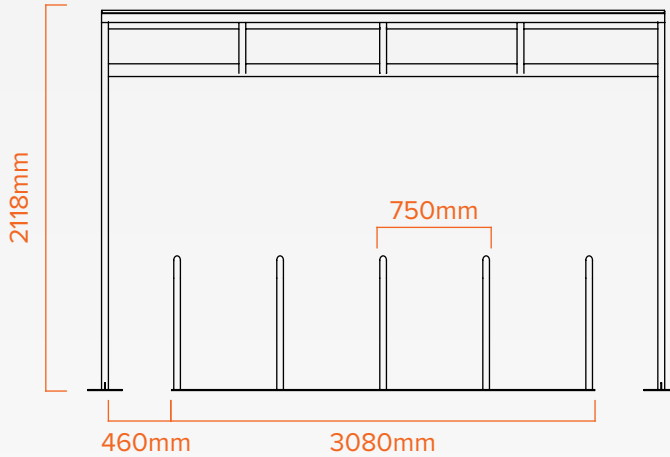
4100mm

**Standard Minimum
Length**

2100mm

**Standard Minimum
Height**

2100mm



Standard dimensions - contact us for bespoke dimensions

10 SPACE CHELSEA CYCLE SHELTER

The 10 Space Chelsea Cycle Shelter is a secure and stylish cycle parking solution featuring an anti-climb polycarbonate canopy, hot-dipped galvanised steel frame, and optional powder coating. Made in Britain and supported by a 10-year warranty, it provides long-lasting bike protection in residential, commercial, and public settings.

Customisation that Works for You

Every site is different which is why this shelter is built to adapt:

- › 4100mm (W) x 2100 (D) x 2100mm (H)
External Dimensions
- › Hot-Dipped Galvanised to BS EN ISO 1461:2022 Frame Finish
- › Fixing Requirement: Concrete base required for overground fixings
- › Toastrack 10-space (5-hoop) included as standard
- › Nationwide delivery & installation available
- › Bespoke dimensions available



Lead Times

4 — 6 Weeks

**For updated and expedited lead times, please contact us*

Need help with installation?

We offer a full installation service

hello@thebikestoragecompany.co.uk

DOWNLOADS LIBRARY

For more information on our product specifications, colours and finishes view our product downloads library online.

ACHIEVE BREEAM
ACCREDITATION
BRITISH MADE
PRODUCTS



0800 246 1723

www.thebikestoragecompany.co.uk

hello@thebikestoragecompany.co.uk

107 - 108 Harbour Yard, London, SW10 0XD