

# Tulipa Planter

## Product Specification



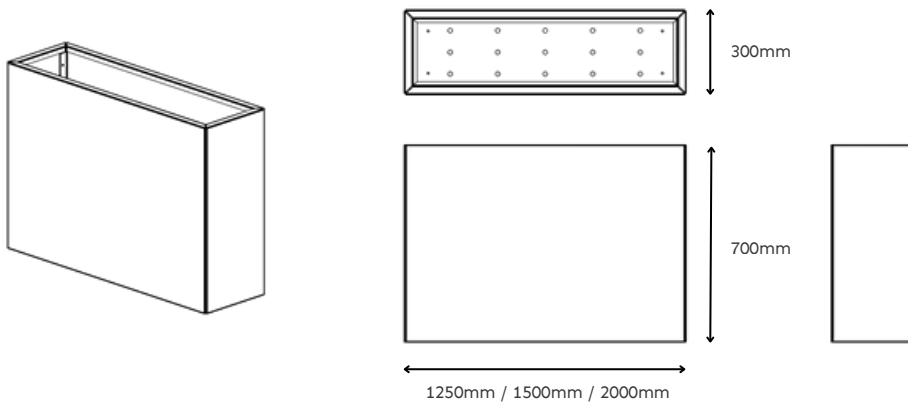
**Standard dimensions:**  
L x W x H (mm)

**TUP01**  
1000 x 700 x 300

**TUP02**  
1250 x 700 x 300

**TUP03**  
1500 x 700 x 300

 **Powder coated galvanised steel**



**Steel specification:**

- 2mm folded PPC galvanised steel

**Mounting options:**

- 100mm x 100mm box section feet
- Bolt down



Case study colours: RAL 6011 Reseda Green, RAL 7031 Blue Grey

**Standard RAL Colour selection:**

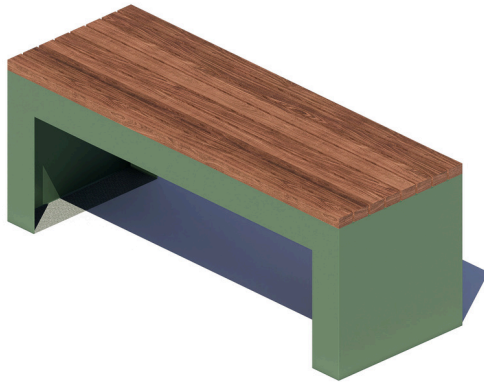




Turning the grey green®

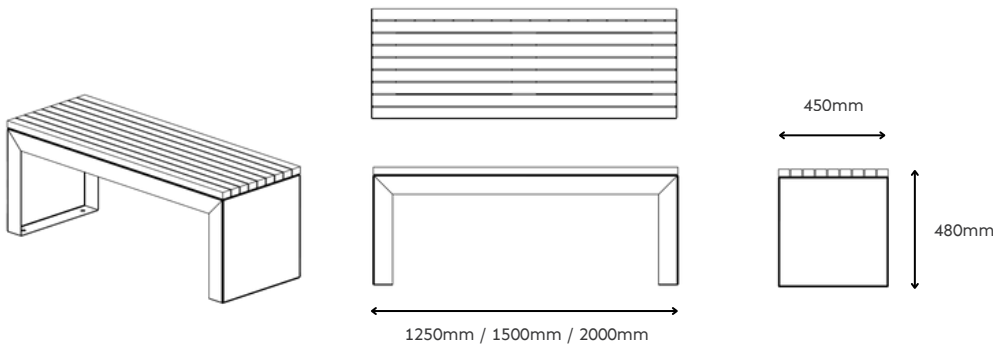
To find out more email [enquiries@meristemdesign.co.uk](mailto:enquiries@meristemdesign.co.uk)

# Tulipa Bench

## Product Specification



-  Powder coated galvanised steel
-  Sapele hardwood timber



**Standard dimensions:**  
L x W x H (mm)

**TUB01**  
1250 x 450 x 480

**TUB02**  
1500 x 450 x 480

**TUB03**  
2000 x 450 x 480

### Steel specification:

- 2mm folded PPC galvanised steel

### Timber specification:

- 30mm x 45mm PAR Sapele slats

### Mounting options:

- 100mm x 100mm box section feet
- Bolt down

### Standard RAL Colour selection:



Case study colours: RAL 7016 Anthracite Grey



RAL 6011 Reseda Green, RAL 7031 Blue Grey



Turning the grey green®

To find out more email [enquiries@meristemdesign.co.uk](mailto:enquiries@meristemdesign.co.uk)